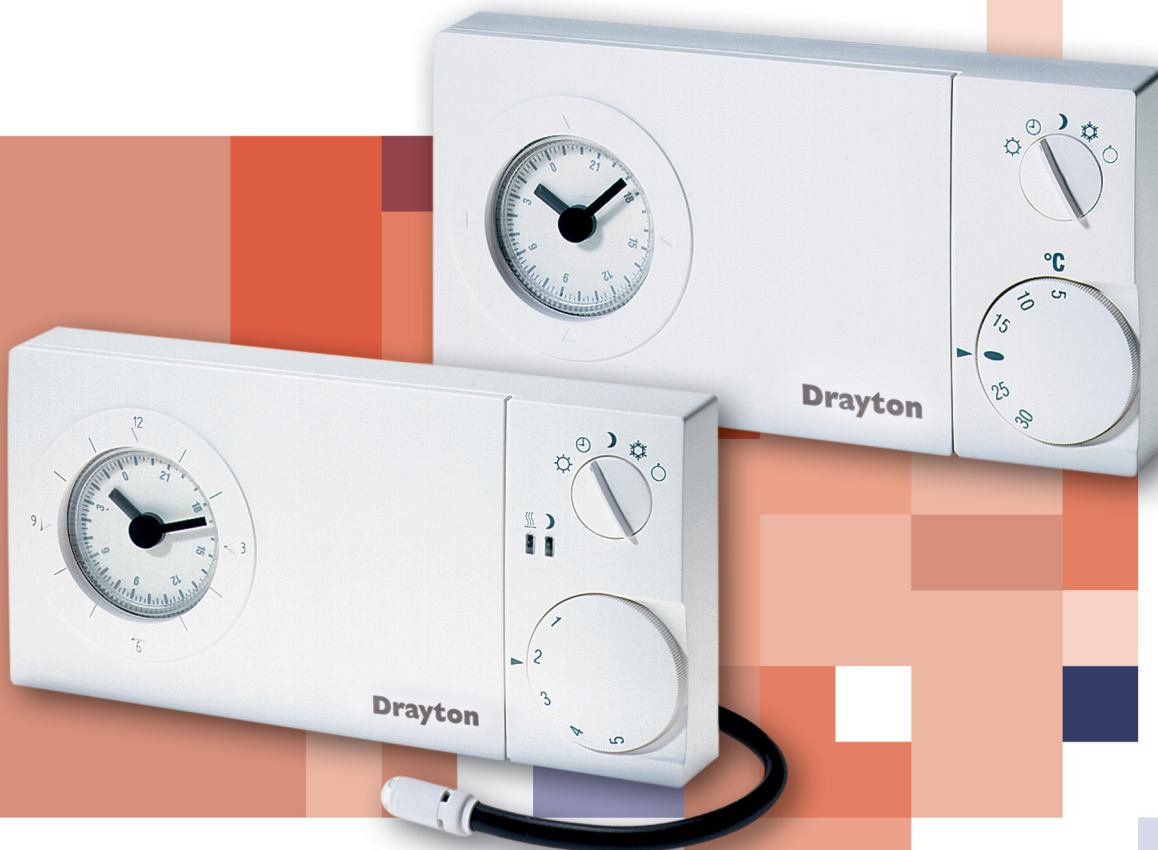


2-Wire Clock Thermostat 3-Wire Clock Thermostats



- Analog clock for ease of use
- Day and night temperatures can be selected independently
- 5 operational modes via setting dial for Day / Night / Automatic / Frost protection / Off
- 3 models available (see technical data)

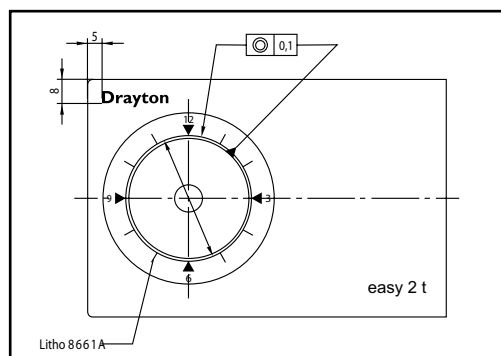
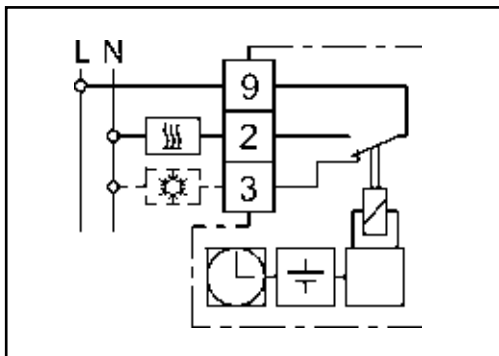
Easy 2 t

2-Wire Clock Thermostat battery powered

Features

- Easy operation
- Day and night temperatures can be set independently
- 5 operational modes via setting dial for Day / Night / Automatic / Frost protection / Off
- Battery powered (for easy installation)
- Hinged cover
- Housing color: pure white (similar to RAL 9010)
- Mountable on adapter frame ARA easy (included)

Wiring



Technical Data

Type	easy 2 t daily program	
Article No.	515 2701 91 100	
Temperature setting range:	Room temperature	5 ... 30°C
	Set-back temperature	5 ... 30°C (setting under cover)
	Frost protection	~ 5°C (fixed)
Output	1 change-over relay, voltage-free	
Operating voltage	1.5 V battery (Service life ~ 2 years)	
Switching current /-voltage	10 mA...10 A cosφ = 1/ max. 4A cosφ = 0.6; 250 V AC; / max. 10 thermal actuators	
Rotary switch	day/automatic/night/frost protection/OFF (OFF = standby)	
Mode of regulation	ON/OFF	
Hysteresis	~ 0,5 K	
Minimum time setting	15 mins	
Protection class of housing	IP 30 / insulated	
Temperature sensor	NTC internal	
Dimensions	160 x 80 x 36 mm	



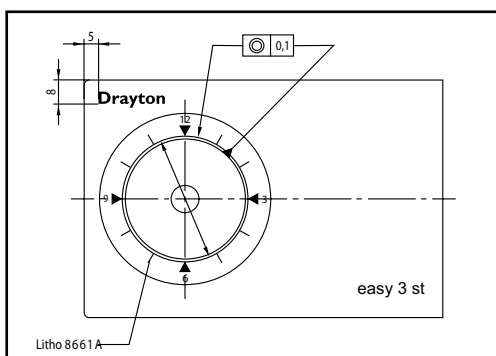
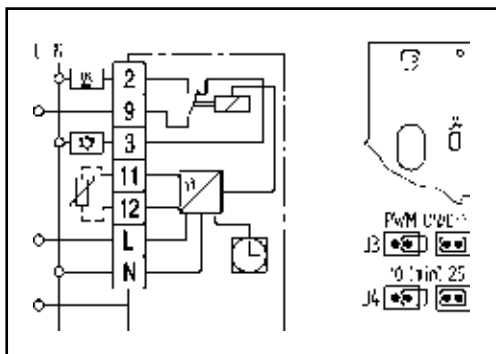
Easy 3 st

3-Wire Analog Clock Thermostat optional remote sensor

Features

- Day and night temperatures can be set independently.
- 5 operational modes via setting dial for Day / Night / Automatic / Frost protection / Off
- Optional remote sensor operation (for measuring temperature at different locations)
- Hinged cover
- Housing color: pure white (similar to RAL 9010)
- Mountable on adapter frame ARA easy (included)

Wiring



Technical Data

Type	easy 3 st daily program	
Article No.	517 2701 51 100	
Temperature setting range:	Room temperature	5 ... 30°C
	Set-back temperature	5 ... 30°C (setting under cover)
	Frost protection	~ 5°C (fixed)
Output	1 change-over relay, voltage free	
Operating voltage	230 V AC 50/60 Hz	
Switching current	10 mA...16 A ¹⁾ cosφ = 1 / max. 4 A cosφ = 0.6 / max. 10 thermal actuators	
Mode of regulation:	proportional controller (PWM) or ON/OFF controller (adjustable via jumper)	
Cycle period	adjustable, 10 or 25 minutes	
Hysteresis	~0,5 K	
Rotary switch	day/automatic/night/frost protection/OFF (OFF= standby)	
Indicator lamps	Heating ON / set-back activated	
Minimum time setting	15 mins	
Clock power	~ 100 hrs	
Protection class of housing	IP 30 / insulated	
Temperature sensor	NTC internal (remote sensor F 193 720 or F 190 021 optional, max 50 m)	
Dimensions	160 x 80 x 36 mm	

¹⁾ At 16 A and operation without remote sensor: hysteresis ~2,5 K



F 193 720



F 190 021

Sensors optional

Easy 3 ft

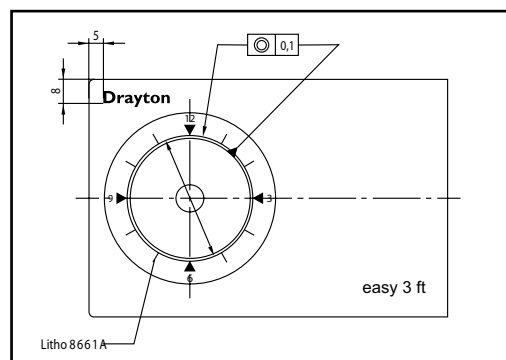
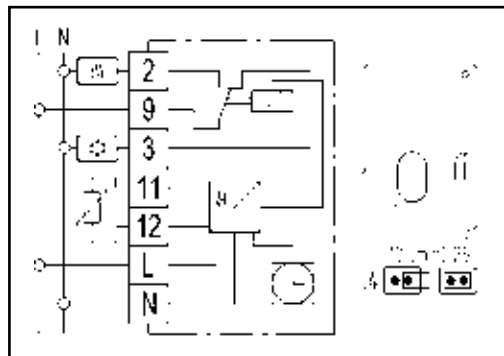
3-Wire Analog Clock Thermostat with remote sensor

Features

- Main use: electric floor heating systems
- Day and night temperatures can be set independently
- 5 operational modes via setting dial for Day / Night / Automatic / Frost protection / Off
- Hinged cover
- Housing color: pure white (similar to RAL 9010)
- Mountable on adapter frame ARA easy (included)

Supplied with remote sensor.

Wiring



Technical Data

Type	easy 3 ft daily program	
Article No.	517 2705 51 100	
Temperature setting range:	Room temperature	1 ... 5 numerical scale (10 ... 50°C)
	Set-back temperature	1 ... 5 numerical scale (10 ... 50°C) <small>(under cover)</small>
Frost protection	10°C fixed	
Output	1 change-over relay, voltage free	
Operating voltage	230 V AC 50/60 Hz	
Switching current	10 mA...16 A $\cos \varphi = 1$ / max. 4 A $\cos \varphi = 0.6$ / max. 10 thermal actuators	
Mode of regulation:	proportional controller (quasi-continuous due to PWM)	
Proportional band	~ 1.5 K	
Cycle period adjustable	10 or 25 minutes	
Hysteresis	~0,5 K	
Rotary switch	day/automatic/night/frost protection/ OFF (OFF= standby)	
Indicator lamps	Heating ON / set-back activated	
Minimum time setting	15 mins	
Power reserve	~ 100 hrs	
Protection class of housing	IP 30 / insulated	
Remote sensor	F 193 720 4m length, extendable up to 50 m	
Dimensions	160 x 80 x 36 mm	



invenSYS
Controls

Customer Service Tel: 0845 130 5522
Customer Service Fax: 0845 130 0622
Technical Helpline Tel: 0845 130 7722
Email: customer.care@invensys.com
Website: www.draytoncontrols.co.uk

Available from:



ALI - DS 3.601

D74-2