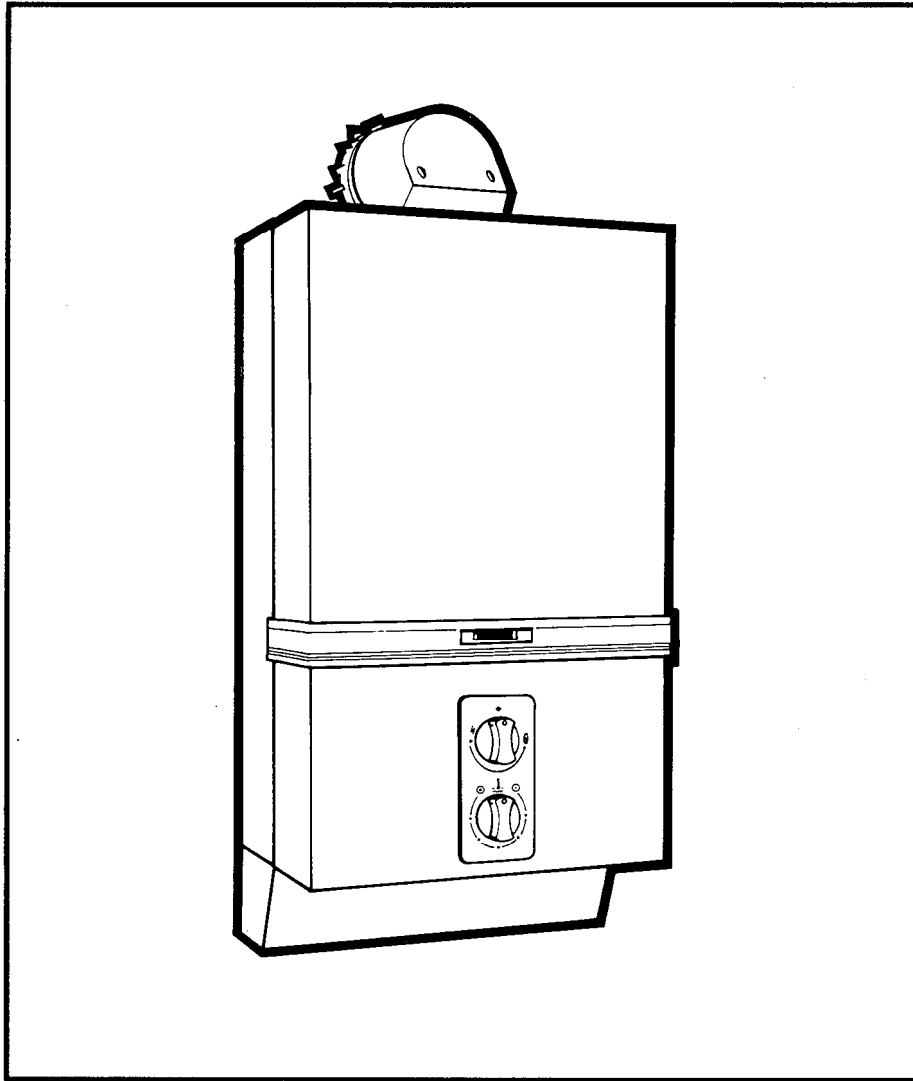


CHAFFOTEAUX LIMITED
Britony FlexiFlue

G.C. No 52.980.22



instructions for use

THIS APPLIANCE MUST BE EARTHED

Purpose provided room ventilation is not required since the air for the burner is taken from outside the house.

The installation of the heater must be carried out by a competent person.

GAS SAFETY INSTALLATION AND USE REGULATIONS 1984

It is the law that all gas appliances are installed by competent persons in accordance with the above regulations. Failure to install appliances correctly could lead to prosecution. It is in your own interest and that of safety to ensure compliance with the law.

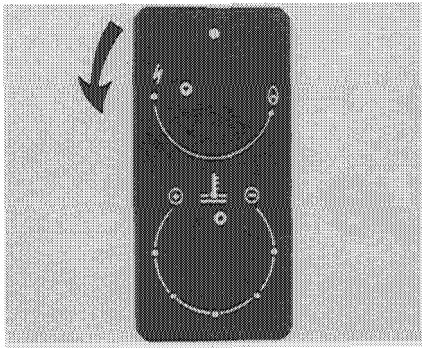


Fig. 1

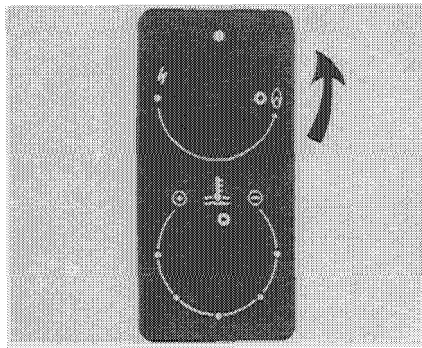


Fig. 2

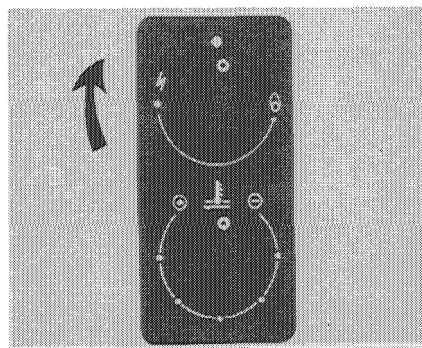


Fig. 3

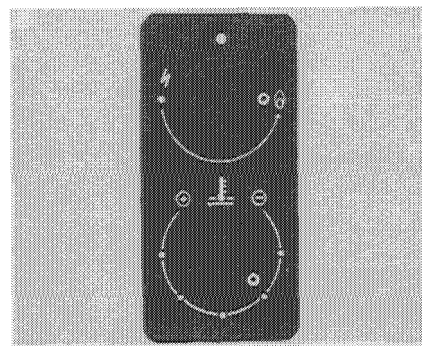


Fig. 4

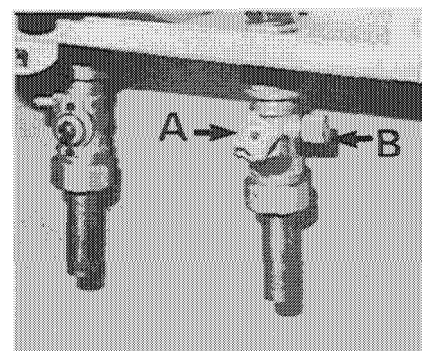


Fig. 5

TO LIGHT THE HEATER

- 1) Switch on electrical supply.
- 2) (fig. 1) With all hot taps closed, light the heater by turning the gas control knob to the position marked ☆, If the pilot, which can be seen through the window, does not light, leave the knob in this position for a few moments. Return the knob to the « off » position ● and repeat.
- 3) When the pilot is alight, wait 10 seconds then turn the gas control knob slowly to the full gas position (fig. 2).

The heater is now ready for use, and will light when a hot tap is opened.

If the pilot goes out, repeat operations 1 and 2. When the control knob is turned back to the « off » position, it may not be possible to turn it immediately to the pilot position - in so, wait 30 seconds for the safety device to reset itself.

TO TURN OFF THE PILOT

If the heater is not required to be used for some time, the pilot can be turned off. Turn the control knob clockwise to the position as shown in Fig. 3. Switch off at electrical supply.

USING THE HEATER

Light the pilot as previously described and turn the gas control knob to the position shown in Fig. 2. Turn on a hot water tap.

Adjust the lower control knob on the water heater to the required temperature. Turning it anti-clockwise to the position shown in Fig. 4 will give a lower water temperature.

FROST PRECAUTIONS

If there is any risk of freezing, the heater should be drained.

- 1) Turn off the pilot and electrical supply.
- 2) Turn off the cold water supply to the heater with the tap fitted below (A) (fig. 5).
- 3) Open an adjacent hot water tap.
- 4) Remove the drain plug (B) (fig. 5), and drain the water into a basin.

To restart the heater replace the drain plug and open the cold water supply tap. Check that water flows through the heater before lighting the pilot.

CLEANING

The surface of the heater may be cleaned using soap, water and a soft cloth or a non-abrasive cleaner.

SERVICE

To ensure that the heater continues to work efficiently and has a long life, it is important that it is serviced annually. Ask your installer or local gas region for details of a regular service scheme.


This water heater has been listed for sale by British gas.

This water heater is suitable for use with showers and automatic washing machines.

For further information, ask your installer or contact Chaffoteaux Limited.

Chaffoteaux et Maury Limited,

Trench Lock, Trench, Telford, Shropshire TF1 4SZ
Telephone : Telford (0952) 222727 - Telefax : (0952) 243493

**Chaffoteaux
et Maury** 
Looking Good. Heating Better