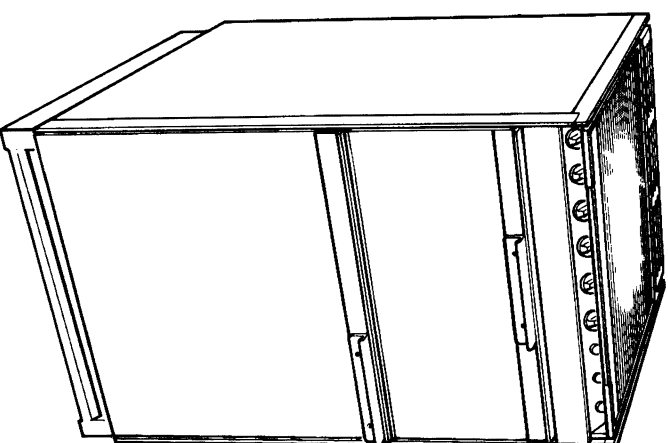


Our policy is one of continual improvement in design and development, therefore strict accuracy of illustrations and descriptions cannot be guaranteed.

Cannon

CANTERBURY MK. 3



Installation and Maintenance Instructions

Data Badge is located below oven base on R.H. side of base connection tray.

G.C. Appliance Nos. 11 132 14 & 11 132 15

A Natural Gas Appliance

Leave these instructions in the envelope by the gas meter.

Cannon

THE FIRST NAME IN GAS

*Cannon Industries Limited,
PO Box 446, Grindley Lane, Blythe Bridge,
Stoke-on-Trent ST11 9LU.*

CONTENTS

CONTENTS

PAGE

INSTALLATION

Installation Instructions	2
Technical Data	3
Space for Fitting	5
Unpacking and Assembly	6
Gas Connection	8
Electrical Connection	9
Commissioning the Cooker	10

MAINTENANCE

Hotplate Assembly	11
Grill Assembly	14
Oven Assembly	15
Grill and Oven Doors	17
Injectors and Electrodes	18
Wiring Diagram	19
Circuit Diagram	20
Fault Finding	21

SHORT SPARES

Parts Illustration	25
Parts List – Brown	26
– White	27

INSTALLATION INSTRUCTIONS

This appliance has been tested to British Standards and carries the British Standards Safety Mark.

This cooker has been built to burn NATURAL GAS ONLY and cannot be used on any other gas.

The installation must be in accordance with the current I.E.E. regulations.

GAS SAFETY (INSTALLATION & USE) REGULATIONS 1984

It is the law that all gas appliances are installed by competent persons in accordance with the above regulations. Failure to install appliances correctly could lead to prosecution. It is in your own interest, and that of safety, to ensure that the law is complied with.

Detailed recommendations are contained in the following British Standard Codes of Practice: BS6891: 1988, BS6172: 1982 and BS5440: Pt 2 1976.

In the U.K., CORGI registered installers work to safe standards of practice.

LOCATION

The cooker may be located in a kitchen, kitchen/diner or a bed-sitting room, but not in a room containing a bath or shower.

PROVISION FOR VENTILATION

The room containing the cooker should have an air supply in accordance with BS5440: Part 2: 1976.

All rooms require a openable window or equivalent, while some rooms require a permanent vent in addition to the openable window. The cooker should not be installed in a bed-sitting room of less than 21m³, and furthermore should not be installed in any room of volume less than 6m³, if it is installed in a room of volume between 6m³ and 9m³ an air vent of effective area 65cm² is required; if it is installed in a room of volume between 9m³ and 11m³, an air vent of effective area 35cm² is required, while if the room volume exceeds 11m³ no air vent is required. However if the room has a door that opens directly to outside, no air vent is required, even when the room volume is between 6m³ and 11m³.

If there are other fuel burning appliances in the same room, BS5440: Part 2: 1976 should be consulted to determine the air vent requirements.

If the cooker is installed in a cellar or basement, it is advisable to provide an air vent of effective area 65cm², irrespective of the room volume.

APPLIANCE DIMENSIONS

Height	Width	Depth
900mm	535mm	600mm

TECHNICAL DATA

CONNECTIONS

Gas
Electric

RP 1/2 (1/2" BSP Female)
Flexible cord at rear (right hand side).
Heat resisting PVC 85°C, 0.75mm²
(24 strands 0.2mm dia)
240V 50Hz 3A Fuse

GAS CONTROL

Governor

None

GRILL

Burner

Mixing tube and burner body formed
from steel pressings
3.70kW (12,625 Btu/h)

155

Not adjustable. 20 mbar (8" w.g.)

Fixed

Fixed

40 mm approx.

Spark

6 outlet ignition unit

APCO MG 7424/A or Turnright GL 319

3mm – 4mm

BGC5

Spark Gap
Electrode

HOTPLATE

Burners

4 aluminium alloy die cast burner
bodies and removable caps
2.9 kW (9895 Btu/h) each burner

125

Not adjustable. 20 mbar (8" w.g.)

Fixed

Fixed

20mm approx.

Spark

6 outlet ignition unit

APCO MG 7424/A or Turnright GL 319

3mm – 4mm

Kigass B026A0000

Peerless 15022 or Diamond H

GCV200

4" (100mm) to 9" (230mm)

Spark Gap
Electrode
Hotplate cut off valve
Recommended Pan size

SHORT SPARES

CANNON CANTERBURY MK. 3 – WHITE
G.C. APPLIANCE No. 11 132 15

Key No.	GC No.	Part No.	Description	Qty.
1	042 730	21165	Glass Lid Assembly	1
2	044 486	6600209	Burner Cap Disc – Black	4
3	042 600	21401	Burner Cap Assembly	4
4	044 369	30199	Pan Support	4
5	381 930	20443	Electrode	4
6	042 713	21145	Side Panel	2
7	042 721	21156	Hotplate Side Trim R/H	1
8	043 578	25518	Ignition Switch	1
9	043 625	25516	Light Switch	2
10	381 927	20133	Thermostat	1
11	381 925/6	20410	Grill Control Tap	1
12	381 923	20411	Hotplate Control Tap	4
13	041 360	14215	'O' Ring	6
14	042 719	21153	Hotplate Assembly	1
15	042 724	21160	Fisplate Assembly R/H	1
16	042 723	21158	Fisplate Assembly L/H	1
17	042 717	21298	Fascia Glass	1
18	042 716	21378	Front Extrusion	1
19	042 593	20631	Fluorescent Tube	1
20	042 712	21142	Front Extrusion R/H	1
21	043 034	22712	Inner Panel Assembly	1
22	042 720	21155	Hotplate Side Trim L/H	1
23	044 062	29246	Oven Lamp Bulb	1
24	042 711	21141	Front Extrusion L/H	1
25	042 818	21489	Handle Mounting	1
26	042 653	21087	Handle	1
27	043 046	22657	Grill Door Glass	1
28	042 653	21087	Handle	1
29	044 329	30506	Oven Door Seal	1
30	043 032	22654	Inner Door Glass	1
31	043 044	22658	Oven Door Outer Glass	1
32	042 898	25310	Plinth Panel	1
33	393 472	11745	Electrode (Oven)	1
34	397 878	25074	F.S.D. Diamond H GSD100-22	1
35	378 093	28239	F.S.D. Teddington CLD613N	1
36	381 921	20829	Starter	1
36	382 815	13763	Spark Generator Turnright GL 319	1
36	382 521	13763	Spark Generator Apco 541 MG72424	1
37	381 922	20632	Choke	1
38	384 810	14664	Electrode (Grill)	1
40	042 715	21149	Control Knob	1
41	042 814	21487	Handle Retainer	6

TECHNICAL DATA

OVEN

Burner

Mixing tube and burner body formed from two steel pressings.

Multi-hole flame strip.
2.6KW (8870 Btu/h)

115.

Not adjustable 20 mbar (8" wg)

Fixed

Fixed

13mm approx.

Spark

6 outlet ignition unit

APCO MG 7424/A or Turnright GL 319

3mm – 4mm

BGC 13

Teddington F.F.D./TD 30 – 08 or

Diamond H 5920 – 22 or Concentric

MCA 74.

Fixed

Diamond H 1D – 100 – 59

B5

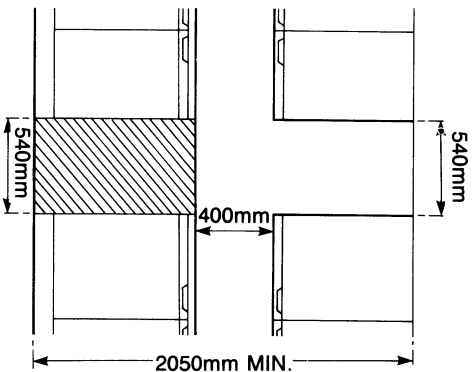
F.S.D. by-pass
Thermostat
Thermostat by-pass

SPACE FOR FITTING

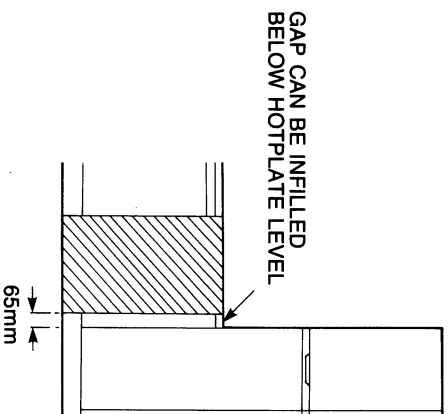
SPACE FOR FIXING

The appliance can be close fitted below hotplate level. This requires a minimum distance of 540mm between cupboard units of hotplate height.

Follow the diagrams below for guidance of fitting. Please take note of all dimensions.

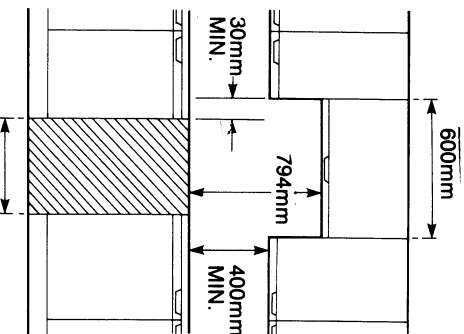


INSTALLATION WITH WALL CUPBOARDS IN LINE WITH SIDES OF APPLIANCE



INSTALLATION ALONGSIDE TALL CUPBOARDS OR SIDEWALL

INSTALLATION USING BRIDGING CUPBOARDS



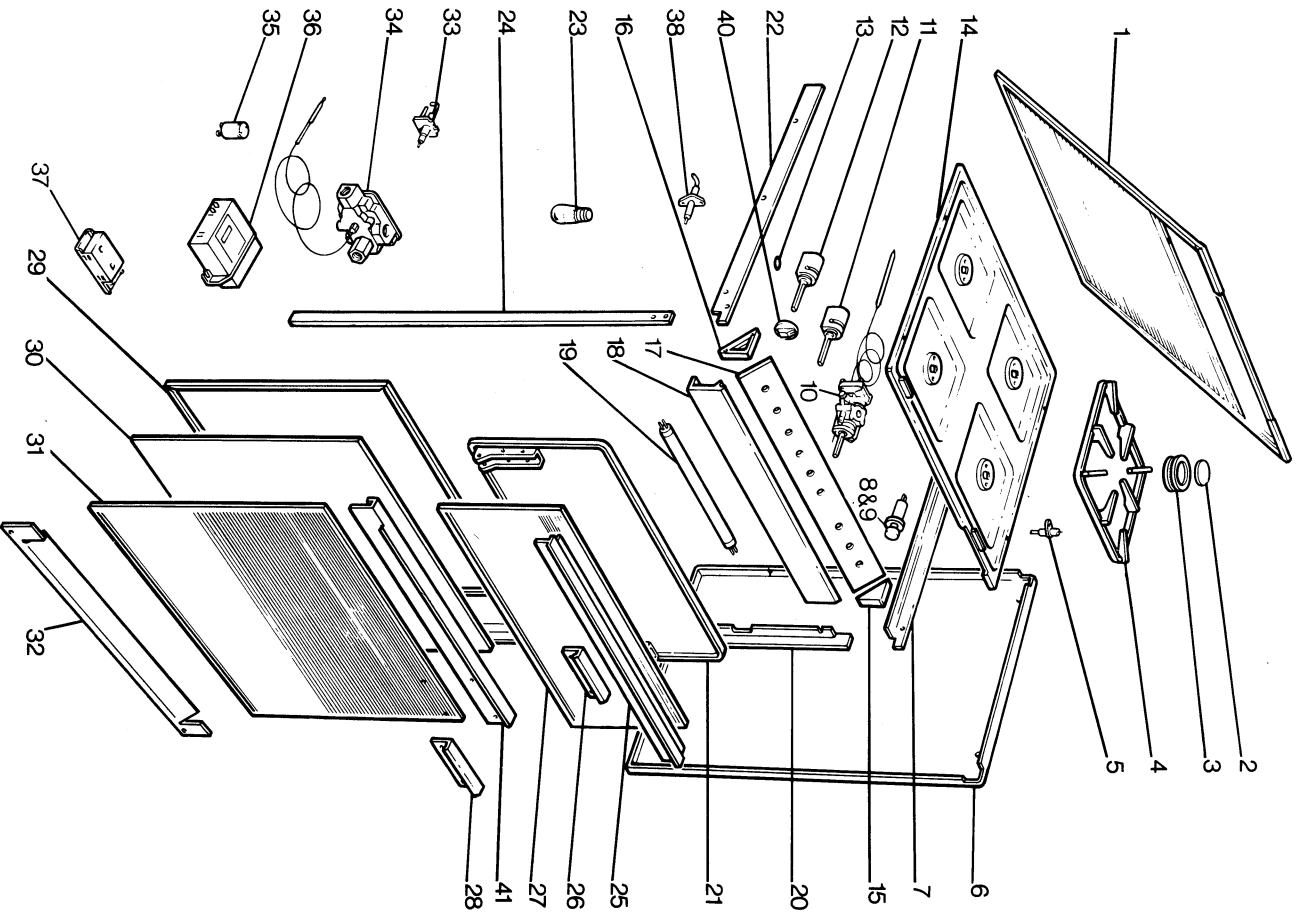
SHORT SPARES

CANNON CANTERBURY MK. 3 – BROWN

G.C. APPLIANCE No. 11 132 14

Key No.	GC No.	Part No.	Description	Qty.
1	042 619	20879	Glass Lid Assembly	1
2	044 486	6600209	Burner Cap Disc – Black	4
3	042 600	21401	Burner Cap Assembly	4
4	044 369	30199	Pan Support	4
5	381 930	20443	Electrode	4
6	042 563	20149	Side Panel	2
7	042 602	20559	Hotplate Side Trim R/H	1
8	043 612	25519	Ignition Switch	1
9	043 626	25517	Light Switch	2
10	381 927	20133	Thermostat	1
11	381 925/6	20410	Grill Control Tap	1
12	381 923	20411	Hotplate Control Tap	4
13	041 360	14215	'O' Ring	6
14	042 596	20154	Hotplate Assembly	1
15	042 607	20798	Fishplate Assembly R/H	1
16	042 605	20797	Fishplate Assembly L/H	1
17	042 594	21065	Fascia Glass	1
18	042 590	21375	Front Extrusion	1
19	042 593	20631	Fluorescent Tube	1
20	042 562	20420	Front Extrusion R/H	1
21	043 052	22894	Inner Panel Assembly	1
22	042 601	20558	Hotplate Side Trim L/H	1
23	044 062	29246	Oven Lamp Bulb	1
24	042 561	20419	Front Extrusion L/H	1
25	042 837	21488	Handle Mounting	1
26	042 484	20476	Handle	1
27	043 053	22892	Grill Door Glass	1
28	042 484	20476	Handle	1
29	044 329	30506	Oven Door Seal	1
30	043 032	22654	Inner Door Glass	1
31	043 050	22891	Oven Door Outer Glass	1
32	042 898	25310	Plinth Panel	1
33	393 472	11745	Electrode (Oven)	1
34	397 878	25074	F.S.D. Diamond H GSD100-22	1
34	378 093	28239	F.S.D. Teddington CLD613N	1
35	381 921	20829	Starter	1
36	382 815	13763	Spark Generator Turnright GL 319	1
36	382 521	13763	Spark Generator Apco 541 MG72424	1
37	381 922	20632	Choke	1
38	384 810	14664	Electrode (Grill)	1
40	042 587	20444	Control Knob	1
41	042 835	21486	Handle Retainer	6

SHORT SPARES



UNPACKING AND ASSEMBLY

UNPACKING THE COOKER

Carefully unpack the components from inside the oven, check that the following parts are present:

- Grill Pan and Grid 1 off
- Meat Tin 1 off
- Oven Shelves 3 off (1 cranked)
- Cake Tray 1 off
- Pan Supports 4 off
- Burner Caps and Enamelled Discs 4 off
- Literature Pack 1 off

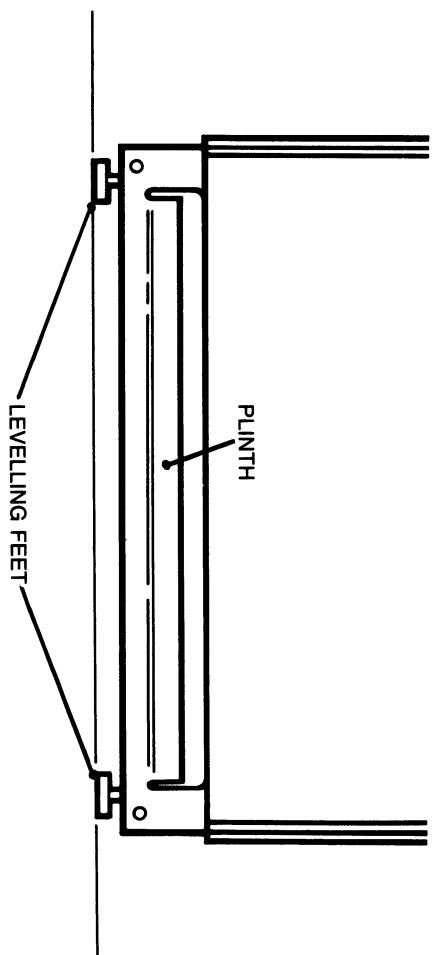
REMOVING BASE PACKAGING

To remove the corrugated base tray, either break down the sides of the tray, or if necessary carefully cut the tray with a knife down the corners. Remove the polystyrene supports from either side of the cooker and slide cooker off base tray.

COOKER MOBILITY AND LEVELLING (Fig. 1)

Disconnect cooker from electricity supply. Level by raising or lowering the 4 skid feet accordingly, after levelling tighten locknuts. Before pushing the cooker into its working position, level the rear feet using a spirit level placed across the oven base. Push the cooker into position and make final adjustment with front feet and recheck for level when in final position. The cooker is moved by pushing at both sides of oven door lower half. Some floor coverings may sustain damage if the appliance is not moved carefully. Do not allow any loose floor coverings to block the air slots in the plinth panel.

Fig. 1



UNPACKING AND ASSEMBLY

COOKER STABILITY BRACKET

These instructions are to be read in conjunction with the leaflet packed with the stability bracket.

Place the cooker in its intended position.

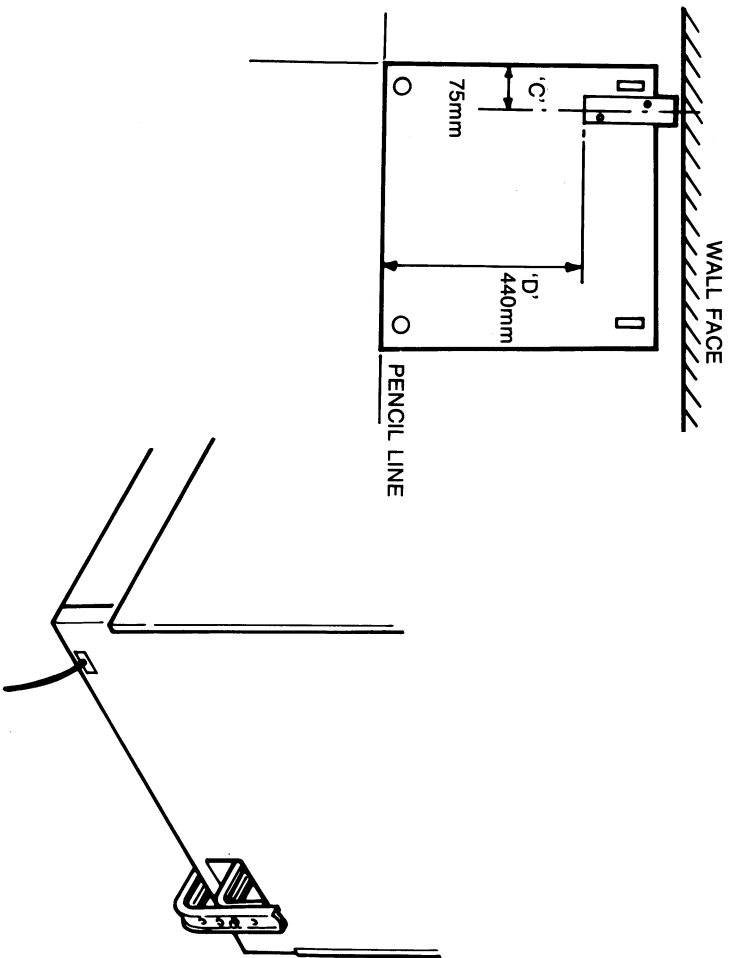
Draw a pencil line on the floor, level with the cooker plinth. See Fig 2.

Mark off dimensions 'C' from the side of the cooker, this gives the centre line for the bracket.

Remove the cooker.

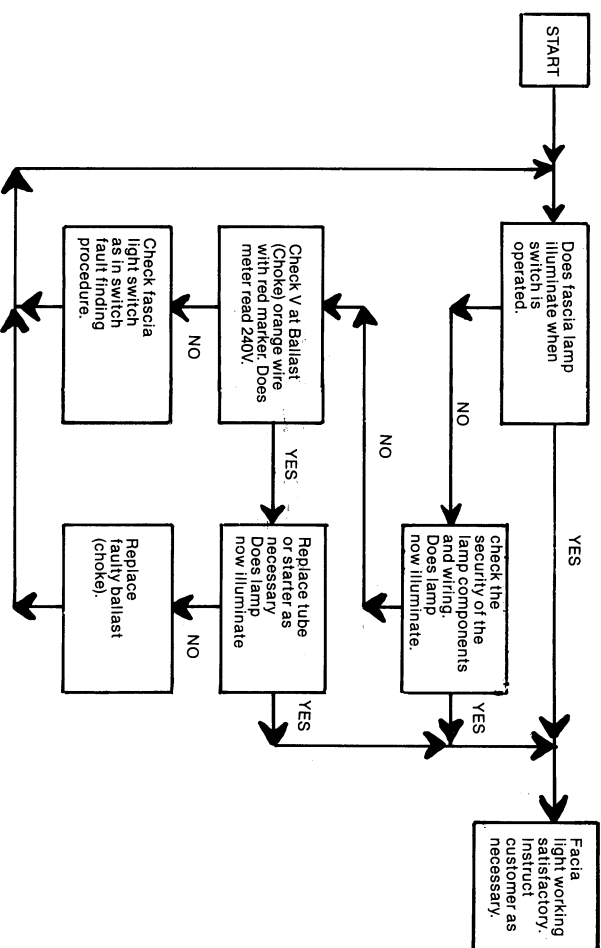
Mark off dimension 'D' to locate the front edge of the lower bracket and fix bracket to floor. Measure height from floor level to the bottom of the slot at the back of cooker. Add 23mm to this dimension and assemble stability bracket to this height (i.e. from floor level to underside of top member).

Fig. 2



FAULT FINDING

FASCIA LAMP



ELECTRICAL CONNECTION

The cooker should be plugged into a double pole switch or an unswitched socket outlet which is properly connected to the house electricity distribution system and efficiently earthed.

WARNING – THIS APPLIANCE MUST BE EARTHED. REFER TO RATING PLATE FOR VOLTAGE AND CHECK THAT THE APPLIANCE VOLTAGE CORRESPONDS WITH THE SUPPLY VOLTAGE.

The flexible mains lead is supplied connected to a B.S. 1363 fused plug having a fuse of 3 amp capacity and should this plug not fit the socket outlet in your home, it should be cut off and replaced with a suitable plug as outlined below.

NOTE: Such a plug cannot be used for any other appliance and should therefore be properly disposed of and not left where children might find it and plug it into a supply socket – with the obvious consequent danger of electrocution.

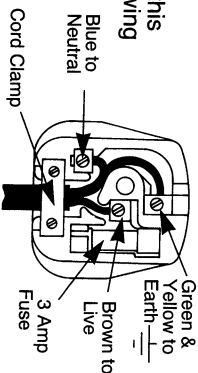
APPLICABLE ONLY IF THE MOULDED PLUG IS REMOVED

The flexible mains lead must be correctly connected as below to a three pin plug of not less than 13 amp capacity. If a B.S. 1363 fused plug is used, it must be fitted with a 3 amp fuse which is approved to B.S. 1362.

We recommend the use of good quality plugs and wall sockets that can be switched off when the cooker is serviced or cleaned.

IMPORTANT: The wires in the mains lead fitted to this appliance are coloured in accordance with the following code:

GREEN AND YELLOW – EARTH
 BLUE – NEUTRAL
 BROWN – LIVE



As the colours of the wires in the mains lead of this appliance may not correspond with the coloured markings identifying the terminals in your plug, proceed as follows:– The wire which is coloured green and yellow must be connected to the terminal in the plug which is marked with the letter E or by the earth symbol \equiv or coloured green or green and yellow. The wire which is coloured blue must be connected to the terminal which is marked with the N or coloured black. The wire which is coloured brown must be connected to the terminal which is marked with the letter L or coloured red. When wiring the plug, ensure that all strands of wire are securely retained in each terminal. Do not forget to tighten the mains lead clamp on the plug. As the appliance must be earthed, do not use 2-pin sockets outlets, **if you are in doubt, consult a qualified electrician.**

Should the mains lead ever require replacement, it is essential that this operation be carried out by a qualified electrician and should only be replaced with a flexible cord of the same size i.e. 0.75mm² cross sectional area. **The plug and socket must be accessible after installation.**

APPLICABLE ONLY IF MOULDED PLUG HAS NOT BEEN REPLACED

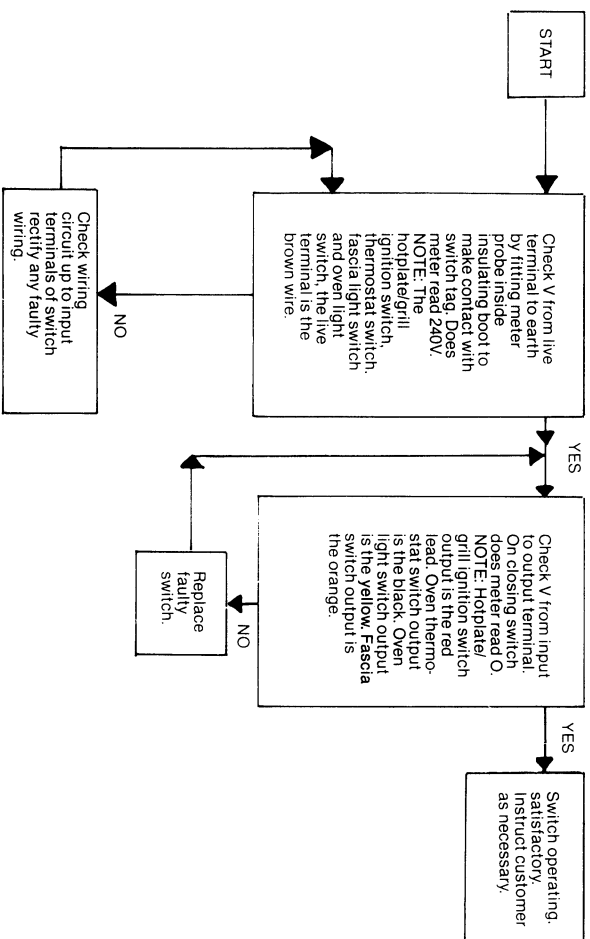
After replacement of a fuse in the plug, the fuse cover must be refitted. If the fuse cover is lost, the plug must not be used until a replacement cover is obtained. The colour of the correct replacement fuse cover is that of the coloured insert in the base of the plug of the colour that is embossed in words in the base of the fuse recess or elsewhere on the plug. Always state this colour when ordering a replacement fuse cover. (Available from the Cannon Service Organisation). Only 3 amp replacement fuses which are ASTA approved to B.S. 1362 should be fitted.

NOTE: In houses having ring-main type distribution systems it is essential to use a plug fitted with fuse cartridge of 3 amp rating.

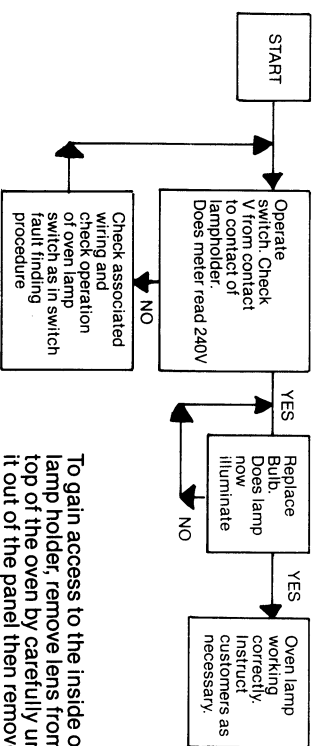
In the event of an electrical fault after the installation of the appliance, preliminary electrical system check shall be carried out (i.e. earth continuity, polarity and resistance to earth as described in the multimeter instruction booklet).

SWITCHES

FAULT FINDING

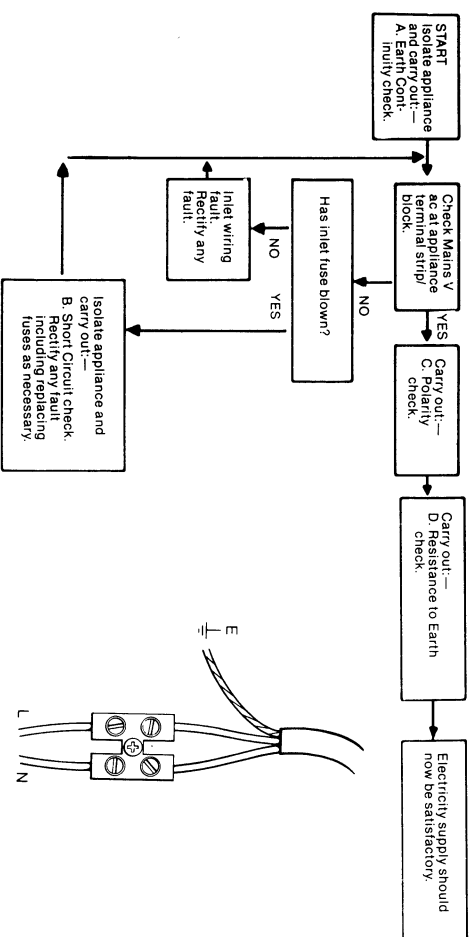


OVEN LAMP



To gain access to the inside of the lamp holder, remove lens from the top of the oven by carefully unscrewing it out of the panel then remove lamp.

FAULT FINDING



NOTE:
These diagrams will assist in the diagnosis of electrical faults.
The meter referred to should be capable of measuring 240V a.c. and a resistance of 100Ω f.s.d.

IMPORTANT This series of checks are the first electrical checks to be carried out during a fault finding procedure. On completion of the service/fault finding task which has required the breaking and remaking of electrical connections then the checks — A. Earth Continuity, C. Polarity and D. Resistance to Earth— must be repeated.

A. EARTH CONTINUITY CHECK—appliance must be electrically disconnected—meter set on Ω (ohms) X 1 scale and adjust to zero if necessary.
a) Test leads from any appliance earth point to earth pin on plug—resistance should be less than 1Ω (ohm).
If the resistance is greater than 1Ω (ohm) check all earth wires for continuity and all contacts clean and tight.
If resistance of earth is still greater than 1Ω (ohm) then this should be reported to your supervisor.
B. SHORT CIRCUIT CHECK—appliance electrically disconnected, all switches ON (including static)—
a) meter set on Ω (ohms) X 1 scale.
Test leads from L to N in appliance terminal strip/block— if meter reads 0 then there is a short circuit.
b) meter set on Ω (ohms) X 100 scale.
Repeat test with leads from L to E. If meter reads less than ∞ (infinity) there is a fault.
NOTE—Should it be found that the fuse has failed but no fault is indicated—a detailed continuity check (i.e. by disconnecting and checking each component) is required to trace the faulty component. It is possible that a fault could occur as a result of local burning/arcing but no fault could be found under the test. However a detailed visual inspection should reveal evidence of burning around the fault.

C. POLARITY CHECK
Appliance connected to mains supply and meter set on 300 Vac scale. Test at appliance terminal strip—
a. Test leads from L to N —meter reads approx. 240 Vac
b. Test leads from L to E —meter reads approx. 240 Vac
c. Test leads from N to E —meter reads from 0 to 15 Vac
Thus the terminal marked L is the live terminal. If the low Vac reading is given on terminals other than N to E (—) there is an electrical fault.
Repeat the test at the appliance plug/inlet spur to check the wiring system up to the appliance and rectify any fault. If necessary repeat the test at the supply system socket/spur —if the fault also occurs at this stage then there is a house system fault which requires attention by the Electricity Authority. The customer should be warned not to use the appliance until this examination has been carried out.
D. RESISTANCE TO EARTH CHECK
Appliance must be disconnected from mains supply and meter set on Ω (ohms) X 100 scale. All switches, including static, ON—Test leads from L to E— if the meter reads other than infinity (∞) there is a fault which should be isolated. A detailed continuity check is required to trace the faulty component.

COMMISSIONING THE COOKER

CHECK THE OPERATION OF THE COOKER

Check that the grill, oven and four hotplate electrodes spark correctly.

Turn the hotplate burners on full for one minute, then check for a steady flame when turned down to the smallest flame symbol;

The grill should show no flame lift after initial ignition.

The gas at the oven burner will ignite at a by-pass low rate but within 60 seconds should increase to full flame. The flame is observed with the door open. With the thermostat set to Mark 'E' close the oven door for a short time to check that the flame is reduced.

USER

Instruct the user in the operation of the appliance and hand over the User's Instructions.

MAINTENANCE INSTRUCTIONS

CAUTION:-

BEFORE carrying out maintenance remove plug or disconnect mains electricity.

BEFORE servicing any gas carrying component, disconnect the gas supply to the appliance.

AFTER maintenance or disconnection of gas carrying components **ALWAYS** check for soundness.

If any of the Oven insulation is touched or disturbed wash hands thoroughly.

PLEASE NOTE:-

Left and right handed components are those components that are on the left or right when the appliance is viewed from the front.

HOTPLATE ASSEMBLY

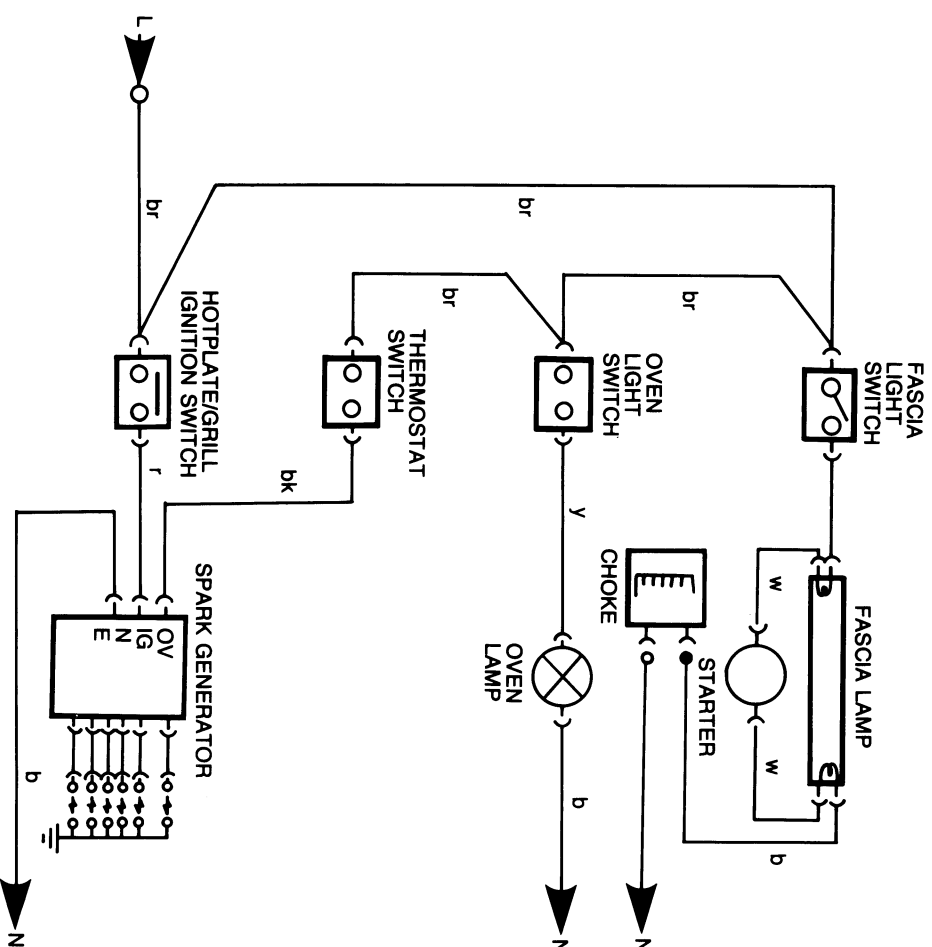
1. HOTPLATE

1. Raise glass lid. Remove pan supports and burner caps.
2. Remove left and right hand triangular fishplates (4 screws);
3. Remove control panel fascia top trim (2 screws) and lift off glass fascia.
4. Remove the 4 hotplate fixing screws.
5. Lift the front of hotplate, pull forward and further raise the hotplate sufficiently to pull off ignition leads and disconnect the earth lead from the frame. Remove the hotplate.
6. Remove Hotplate side trims (6 screws).
7. Re-assemble in reverse order.

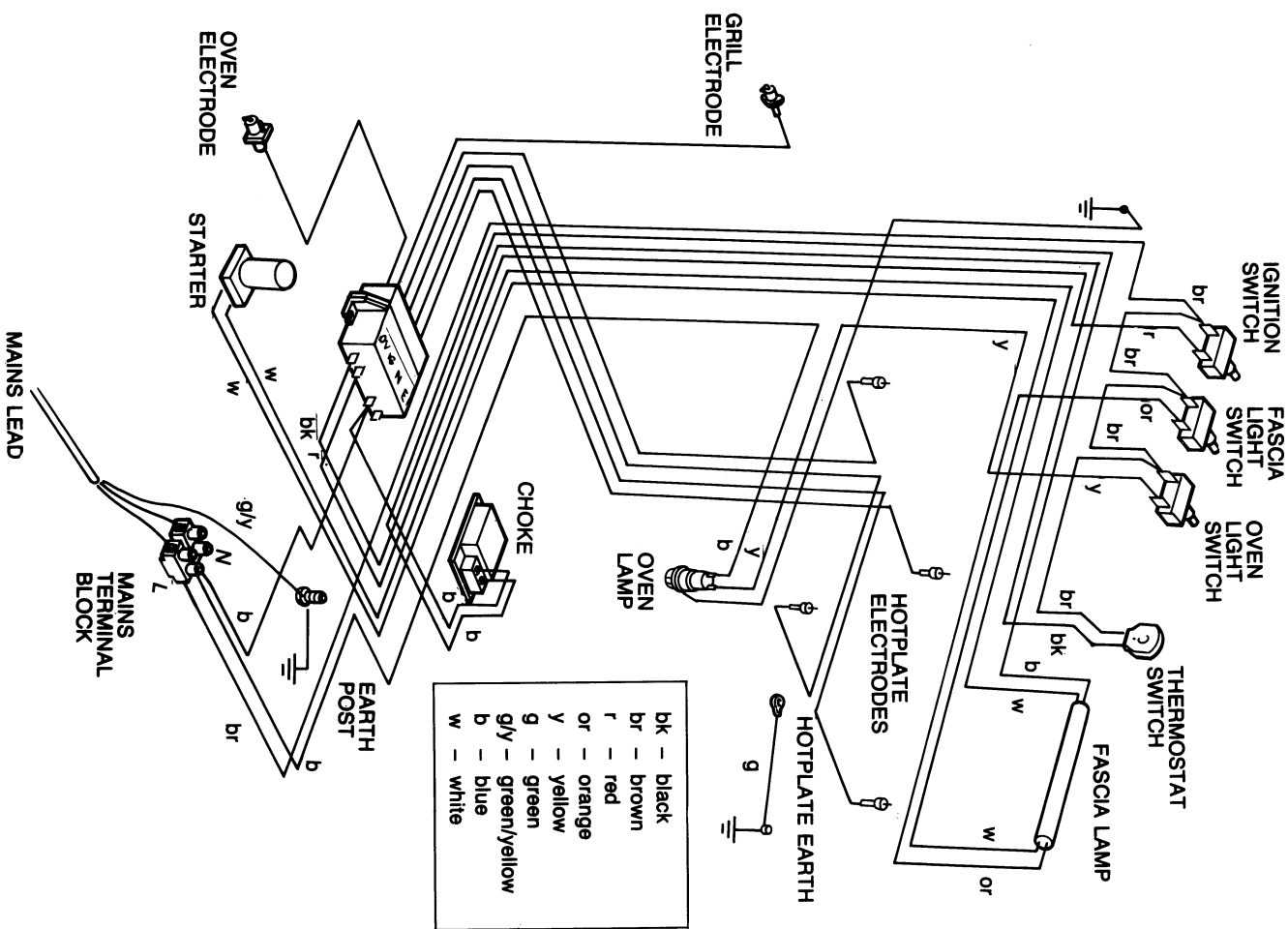
2. RIGHT HAND SIDE PANEL

1. Remove centre and bottom screws securing R.H. side vertical extrusion.
 2. Remove 2 screws securing R.H. fishplate and remove.
 3. Remove remaining 3 screws securing hotplate R.H. extrusion and remove by lifting vertically to ease front dowel pin from top of vertical extrusion.
 4. Remove screws and washers securing side panel.
 5. Remove 3 screws securing fascia front trim, allow trim to hang on neon tube wires.
 6. Slacken switch support bracket fixing screws.
 7. Pivot side extrusion sideways to expose 'S' clip retaining side panel. Dislodge clip with blade of flat screwdriver. Remove side panel.
 8. Reassemble in reverse order.
- NOTE:** Follow same procedure for L.H. panel but door assembly must be removed first. Refer Section 23 and 24.

CIRCUIT DIAGRAM



WIRING DIAGRAM



HOTPLATE ASSEMBLY

- GLASS LID**
 - Remove rear flue outlet (2 screws) and flue outlet support brackets (4 screws).
 - Remove both hotplate side trims (8 screws).
 - With lid in closed position remove 4 locknuts from the hinge fixing screws.
 - Support lid in the raised position and remove 4 countersunk fixing screws from left and right hand hinges and lift lid clear.
 - Re-assemble in reverse order.
- HOTPLATE CUT-OFF VALVE**
 - Close glass lid.
 - Disconnect gas supply at base of valve.
 - Undo 2 tube nuts from valve outlets.
 - Remove valve and lever brackets (2 screws).
 - Remove inlet adaptor from valve.
 - Re-assemble in reverse order and check for gas soundness. Ensure valve operating lever is correctly fitted to bracket.
- GLASS FASCIA, IGNITION, OVEN AND PANEL LIGHT SWITCHES**
 - Pull off control knobs.
 - Remove control panel top trim (2 screws).
 - Remove both control panel end trims (4 screws).
 - Lift off fascia and pull off cable connections.
 - Carefully ease retaining washers, preferably with a small screwdriver from rear of switches and remove switches.
 - Replace switches ensuring protective gasket is correctly positioned under retaining washers and re-connect in accordance with wiring diagram. (If washer is damaged during removal, replace).
 - Replace fascia and re-assemble in reverse order.
- HOTPLATE TAP REMOVAL**
 - Follow 1 - 5 of Hotplate (1).
 - Remove control panel end trims (1 screw each).
 - Pull off control knobs.
 - Lift off glass fascia.
 - Remove glass fascia bottom trim - 3 screws and remove lamp from retaining brackets. Allow lamp to hand on leads.
 - Disconnect tube nut from tap.
 - Remove tap from gas rail (2 screws).
 - Fit new tap and re-assemble in reverse order ensuring 'O' ring seal is correctly fitted.

HOTPLATE ASSEMBLY

7. THERMOSTAT

1. Follow 1 – 6 of Hotplate Tap (6).
2. Slide ignition switch off thermostat spindle.
3. Remove 2 screws securing switch bracket and allow to hang at front of cooker.
4. Disconnect supply tube.
5. Remove R/H side panel.
6. Remove phial from clips in oven and withdraw carefully through hole in oven side.
7. Disconnect thermostat from gas rail (2 screws).
8. Re-assemble in reverse order ensuring 'O' ring seal is correctly fitted.

8. THERMOSTAT BY-PASS SCREW

1. Follow 1 – 6 of hotplate tap removal (6).
2. The by-pass screw is located in the left hand side of the body – remove and replace.

9. PANEL LIGHT

1. Remove control panel bottom trim (3 screws).
2. Remove lamp from brackets.
3. Pull off leads from lamp.
4. Re-assemble in reverse order.

INJECTORS AND ELECTRODES

25. ELECTRODES

Hotplate Injectors

1. Follow 1 – 5 of to remove hotplate (1).
2. Remove injector and sealing washer.
3. Re-assemble in reverse order.

Grill Injector

1. Follow 1 – 4 of to remove grill burner (11).
2. Remove injector and sealing washer.
3. Re-assemble in reverse order.

Oven Injector

1. Follow 1 – 4 of to remove oven burner (13).
2. Remove burner fixing screw, allow burner to fall out of place and withdraw from injector.
3. Remove injector and sealing washer.
4. Re-assemble in reverse order.

26. ELECTRODES

Hotplate Electrodes

1. Follow 1 – 5 of to remove hotplate (1).
2. Remove electrode from burner body (1 screw).
3. Re-assemble in reverse order.

Grill Electrode

1. Remove baffle at top front of compartment (2 screws).
2. Remove grill burner. Refer section 11.
3. Remove 2 electrode fixing screws.
4. Disconnect ignition lead.
5. Re-assemble in reverse order.

Oven Electrode

1. Follow 1 – 5 of to remove oven burner (13).
2. Remove electrode – 1 screw.
3. Re-assemble in reverse order.

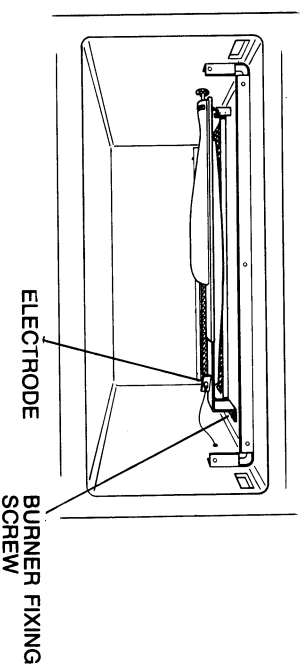
GRILL AND OVEN DOORS

19. **GRILL DOOR GLASS**
 1. Remove 2 screws securing door handle.
 2. Remove handle, handle mounting and glass panel.
 3. Re-assemble in reverse order.
20. **GRILL DOOR HANDLE**
 1. Remove 2 screws securing handle.
21. **GRILL DOOR INNER PANEL**
 1. Proceed as in To Remove Grill Door Glass (19).
 2. Remove insulation.
 3. Remove 6 circlips.
 4. Withdraw 6 cross-pins taking care not to lose the two springs.
 5. Remove 4 spire clips.
 6. Re-assemble in reverse order.
22. **OVEN DOOR HANDLE**
 1. Remove 2 screws, 1 locking nut, 1 door catch disc and 2 washers.
 2. Re-assemble in reverse order.
23. **OVEN DOOR OUTER GLASS**
 1. Support glass, remove 2 hexagon studs and lift clear, taking care nut to lose spacers fitted in holes on glass floor.
24. **OVEN DOOR INNER GLASS**
 1. Open door, support glass and remove 2 hexagon studs. Lift glass door away from appliance. Taking care not to lose spacers fitted in holes on glass door.
 2. Remove handle assembly – 2 hexagon studs, washers and nuts – take care not to lose spacers in holes on glass door.
 3. Re-assemble in reverse order, adjusting striker pin if necessary to achieve door sealing. (Glass door should compress door seal).

GRILL ASSEMBLY

10. **GRILL TAP**
 1. Follow 1 – 5 of Hotplate (1).
 2. Remove control knobs and lift off glass fascia panel.
 3. Remove glass fascia bottom trim – 3 screws and remove lamp from retaining brackets. Allow lamp to hang on leads.
 4. Remove tube nut from tap.
 5. Remove tap from gas rail (2 screws).
 6. Fit new tap and re-assemble in reverse order ensuring 'O' ring seal is correctly fitted.
11. **GRILL BURNER (Fig. 4)**
 1. Open grill door and remove baffle at top front of compartment (2 screws).
 2. Disconnect igniter lead at right hand side.
 3. Slacken, but do not remove single burner fixing screw from roof of grill compartment at right hand side.
 4. Pull right hand end of burner forward to clear fixing screw and slide burner off the injector.
 5. During re-assembly see that the burner fixing bracket is pushed fully home onto the fixing screw.

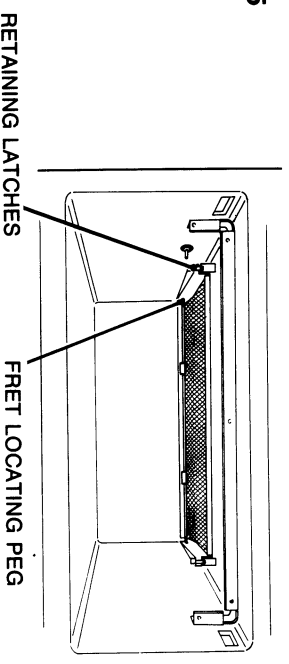
Fig. 4



12. GRILL FRET (Fig. 5)

1. Remove burner (1).
2. Slacken 2 fret retaining catches.
3. Turn latches to the side and draw fret forwards.
4. During re-assembly see that the fret is located on the side pegs and that the latches are screwed in the vertical position.

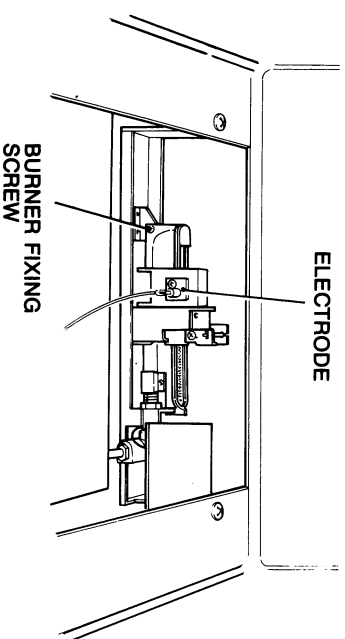
Fig. 5



OVEN ASSEMBLY

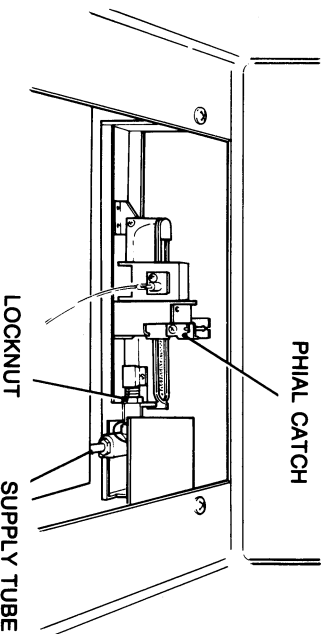
13. OVEN BURNER

1. Remove oven shelves.
2. Unhook bottom of oven door seal.
3. Remove oven base panel-utensil stop at rear (it may be necessary to slacken the heat clean side panel fixing screws to enable the base panel to slide out).
4. Remove spark generator cover for easier access (remove front screw – spark gear).
5. Disconnect igniter lead.
6. Remove forward facing burner fixing screw. Allow burner to fall out of place and withdraw from injector.
7. Remove electrode and injector locating bracket. Re-assemble in reverse order.



14. F.S.D.

1. Follow 1 – 5 of oven burner (13).
2. Disconnect supply tube union from F.S.D.
3. Remove 2 screws securing oven burner bracket to base.
4. Remove complete assembly through oven aperture.
5. Release forward facing screw and swing F.S.D. phial catch to the right to release phial.
6. Remove locknut from F.S.D. injector adaptor and remove F.S.D.
7. Remove adaptor from F.S.D.
8. Re-assemble in reverse order taking care with path of capillary.



OVEN ASSEMBLY

15. SPARK GENERATOR

1. Follow 1 – 4 of oven burner (13).
2. Remove leads from spark generator.
3. Remove spark generator – 2 screws.
4. Re-assemble in reverse order (refer to wiring diagram when re-fitting leads).

16. OVEN LAMP

1. Unclip lens by pulling and tilting slightly.
2. Unscrew lamp.
3. Fit new lamp and re-assemble in reverse order.

NOTE: The replacement lamp must be rated 40W (300°C rated).

17. STARTER (FASCIA LAMP)

1. Follow 1 – 4 of Oven Burner (13).
2. Turn starter anti-clockwise and remove.
3. Re-assemble in reverse order.

18. CHOKE

1. Follow 1 – 4 of Oven Burner (13).
2. Cut both the leads to the choke (as near to the choke as possible).
3. Remove choke unit – 2 screws.
4. Remove the first 5mm of insulation from the ends of the cut leads and push the wires into the terminals on the replacement choke.
5. Re-assemble in reverse order.