

INSTALLER GUIDE

Intimate

(GC No. 32-032-54)

OPEN DECORATIVE GAS FIRE



(Manufacturer ref 739)

**THIS APPLIANCE IS FOR USE WITH NATURAL GAS (G20)
WHEN CONVERTED USING CONVERSION KIT NO. 0595211 THIS
APPLIANCE IS FOR USE WITH PROPANE GAS (G31)
THIS APPLIANCE IS SUITABLE ONLY FOR INSTALLATION IN THE UNITED
KINGDOM (GB) AND THE REPUBLIC OF IRELAND (IE).**

Manufactured exclusively for British Gas & Scottish Gas by Valor Heating
For Service Phone 0845 950 0400

INSTALLER: Please leave this guide with the owner

INSTALLER GUIDE

Safety First.

This gas fire is CE Approved and designed to meet the appropriate British Standards and Safety Marks.



Quality and Excellence at the heart of every fire.

This fire has been manufactured to the highest standards of quality and excellence and was manufactured under a BS EN ISO 9001 quality system accepted by the British Standards Institute.



The Highest Standards

The manufacturer is a member of the Society of British Gas Industries which works to ensure high standards of safety, quality and performance.



Careful Installation

The manufacturer is a CORGI registered company. All our gas fires must be installed by a competent CORGI Registered Installer in accordance with our Installer Guide and should not be fitted directly on to a carpet or floor of combustible material.

Valor Heating, Erdington, Birmingham B24 9QP

www.valor.co.uk

Because our policy is one of constant development and improvement, details may vary slightly from those given in this publication

INSTALLER GUIDE

CONTENTS

| <u>Section</u> | <u>Page</u> |
|---|-------------|
| 1. SAFETY | 4 |
| 2. LIST OF ACCESSORIES | 4 |
| 3. APPLIANCE DATA | 5 |
| 4. GENERAL INSTALLATION REQUIREMENTS | 6 |
| 5. APPLIANCE DIMENSIONS | 11 |
| 6. UNPACKING | 11 |
| 7. INSTALLATION OF APPLIANCE | 12 |
| 8. BURNER AND SUPPLY PIPE INSTALLATION | 14 |
| 9. CERAMIC COALS INSTALLATION | 16 |
| 10. FITTING THE FIREFRONT | 21 |
| 11. FULL OPERATING CHECKS | 22 |
| 11.1 Final commissioning | 23 |
| 11.2 Flame Supervision & Spillage Monitoring System | 22 |
| 11.3 Spillage check. | 22 |
| 12. SERVICING & PARTS REPLACEMENT | 24 |
| 12.1 Checking the aeration setting of the burner. | 25 |
| 12.2 To Remove the Burner Unit | 25 |
| 12.3 To Remove the Pilot Unit | 25 |
| 12.4 To Remove the gas valve | 26 |
| 12.5 To Remove the Piezo Generator | 26 |
| 12.6 To Grease the Control Tap | 26 |
| 12.7 To Replace the Burner | 27 |
| 12.8 To Remove the Main Burner Injector | 27 |
| 13. SHORT LIST OF SPARES | 28 |

INSTALLER GUIDE

1. SAFETY

Installer

- Before continuing any further with the installation of this appliance please read the following guide to manual handling
- The lifting weight of this appliance is 9 kg. One person should be sufficient to lift the fire. If for any reason this weight is considered too heavy then obtain assistance.
- When lifting always keep your back straight. Bend your legs and not your back.
- Avoid twisting at the waist. It is better to reposition your feet.
- Avoid upper body/top heavy bending. Do not lean forward or sideways whilst handling the fire.
- Always grip with the palm of the hand. Do not use the tips of fingers for support.
- Always keep the fire as close to the body as possible. This will minimise the cantilever action.
- Use gloves to provide additional grip.
- Always use assistance if required.

2. LIST OF ACCESSORIES

The following accessories are available: -

| <u>Description</u> | <u>Part Number</u> |
|------------------------|--------------------|
| Replacement chairbrick | 0552311 |

INSTALLER GUIDE

3. APPLIANCE DATA

This product uses fuel effect pieces containing Refractory Ceramic Fibres (RCF), which are man-made vitreous silicate fibres. Excessive exposure to these materials may cause irritation to eyes, skin and respiratory tract. Consequently, it is important to take care when handling these articles to ensure that the release of dust is kept to a minimum. To ensure that the release of fibres from these RCF articles is kept to a minimum, during installation and servicing we recommend that you use a HEPA filtered vacuum to remove any dust and soot accumulated in and around the fire before and after working on the fire. When replacing these articles we recommend that the replaced items are not broken up, but are sealed within a heavy duty polythene bag, clearly labelled as RCF waste. This is not classified as “hazardous waste” and may be disposed of at a tipping site licensed for the disposal of industrial waste. Protective clothing is not required when handling these articles, but we recommend you follow the normal hygiene rules of not smoking, eating or drinking in the work area and always wash your hands before eating or drinking. This appliance does not contain any component manufactured from asbestos or asbestos related products.

This appliance does not contain any components manufactured from asbestos or asbestos related products

| Gas | Natural (G20) | Propane (G31) * |
|-----------------------------------|-----------------------------------|---|
| Inlet Pressure | 20mbar | 37mbar |
| Input - Max. (Gross) | 6.85kW (23,400 Btu/h) | 6.7kW (22,860 Btu/h) |
| Input - Min. (Gross) | 2.3kW (7,850 Btu/h) | 4.0kW (13,650 Btu/h) |
| Burner Test Pressure (Cold) | 20.0 ± 1.0mbar (8.0 ± 0.4in w.g.) | 37.0 ± 1.0 mbar (14.85 ± 0.4in w.g.) |
| Gas Connection | 8mm pipe | 8mm pipe |
| Burner Injector | Stereomatic Cat 82 - 074 | Stereomatic Size 132 |
| Pilot & Atmosphere Sensing Device | Copreci Ref. O.D.S 21500/166 | Copreci Ref. O.D.S 21500/166 Fitted with RBM 180 -02 injector |
| Ignition | Integral Piezo Spark | Integral Piezo Spark |
| Aeration | See section 12.1 | Non-adjustable |

*When converted using kit 0595211

INSTALLER GUIDE

4. GENERAL INSTALLATION REQUIREMENTS

4.1 The installation must be in accordance with these instructions.

For the user's protection, in the United Kingdom it is the law that all gas appliances are installed by competent persons in accordance with the current edition of the Gas Safety (Installation and Use) Regulations. Failure to install the appliance correctly could lead to prosecution. The Council for the Registration of Gas Installers (CORGI) requires its members to work to recognised standards.

In the United Kingdom the installation must also be in accordance with:

All the relevant parts of local regulations.

All relevant codes of practice.

The relevant parts of the current editions of the following British Standards:-

BS 1251

BS 4543 Part 2

BS 5440 Part 1

BS 5440 Part 2

BS 5871 Part 3

BS 6461 Part 1

BS 6891

BS 8303

In England and Wales, the current edition of the Building Regulations issued by the Department of the Environment and the Welsh Office. In Scotland the current edition of the Building Standards (Scotland) Regulations issued by the Scottish Executive. In Northern Ireland, the current edition of the Building Regulations (Northern Ireland) issued by the Department of the Environment for Northern Ireland. In the Republic of Ireland the installation must also conform with the relevant parts of:

The current editions of:-

IS 813 "Domestic Gas Installations"

ICP3

IS327

All relevant national and local rules in force.

Where no specific instructions are given, reference should be made to the relevant British Standard Code of Practice.

4.2 In the United Kingdom, as supplied the appliance can be installed in the following situations: -

To a fireplace complete with surround and hearth as shown in figure 1 and complying with BS1251. The required fireplace, hearth, and clearance dimensions are shown in

INSTALLER GUIDE

figure 1.

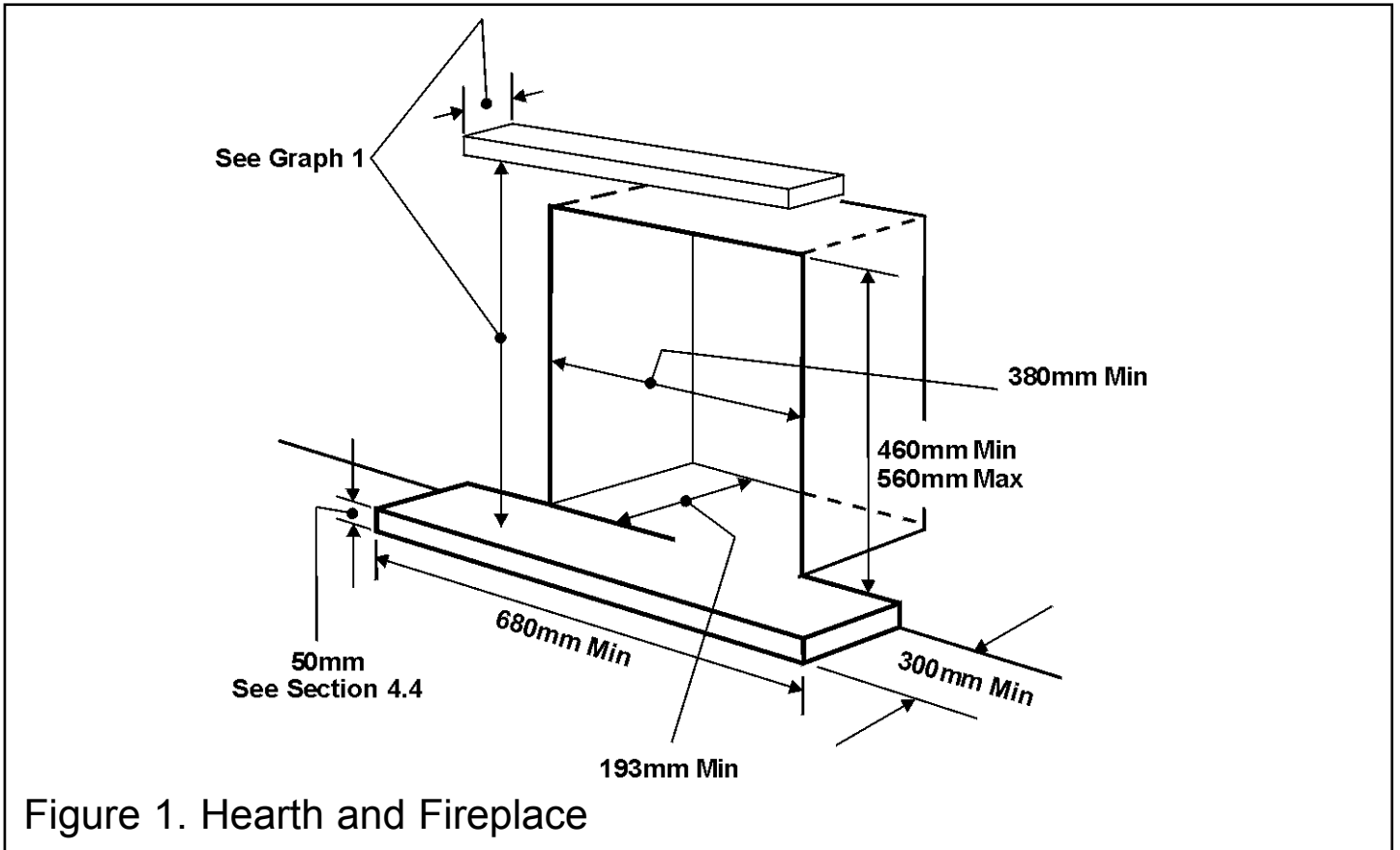


Figure 1. Hearth and Fireplace

Into a fireplace that has a fireback of nominal size 400mm and conforming to BS1251.
Into a Replacement Chair Brick. Part number 0552311

Suitable flues and minimum flue sizes are as follows: -

225mm x 225mm conventional brick flue.

175mm diameter lined brick or stone flue.

200mm diameter factory made insulated flue manufactured to BS4543.

175mm diameter flue pipe. See BS6461 Part 1 for suitable materials.

The minimum effective height of the flue must be 3m.

The flue must not be used for any other appliance or application.

Any chimney damper or restrictor should be removed. If removal is not possible, they must be secured in the open position.

If the appliance is intended to be installed to a chimney that was previously used for solid fuel, the flue must be swept clean prior to installation.

All flues should be inspected for soundness and freedom from blockages.

INSTALLER GUIDE

4.3 If the fireplace opening is an underfloor draught type, it must be sealed to stop any draughts.

4.4 The appliance must be mounted behind a non-combustible hearth (N.B. conglomerate marble hearths are considered as non-combustible). The appliance can be fitted to a minimum class “O” – 100°C surround. The hearth material must be at least 12mm thick. The periphery of the hearth (or fender) should be at least 50mm above floor level to discourage the placing of carpets or rugs over it (See figure 1).

The surface of the hearth must be sufficiently flat to enable the bottom of the front surround and the bottom front cover to be aligned horizontally. Any excessive unevenness (uneven tiles, Cotswold stone, etc.) should be rectified.

4.4.1. ‘Hole-in-the-wall’ Installations

It is recommended that a hearth should be installed as in figure 1.

If a reduced depth Hearth is fitted, the fire must be installed so that the distance from the base of the fireplace opening in the wall to the finished floor level is 75mm minimum. It is recommended that the reduced hearth has a depth from the fixing plane of the fire of 100mm minimum. This is necessary to support the lower front casting / firefront.

4.5 If the Fireplace opening is greater than the acceptable dimensions given in this guide, do not use the back of a fire surround or marble to reduce the opening. This may cause cracking of the surround back or marble

4.6 The appliance must not stand on combustible materials or carpets.

4.7 The minimum height from the top of the hearth to the underside of any shelf made from wood or other combustible materials is as follows: -

- *For a shelf up to 150mm deep*

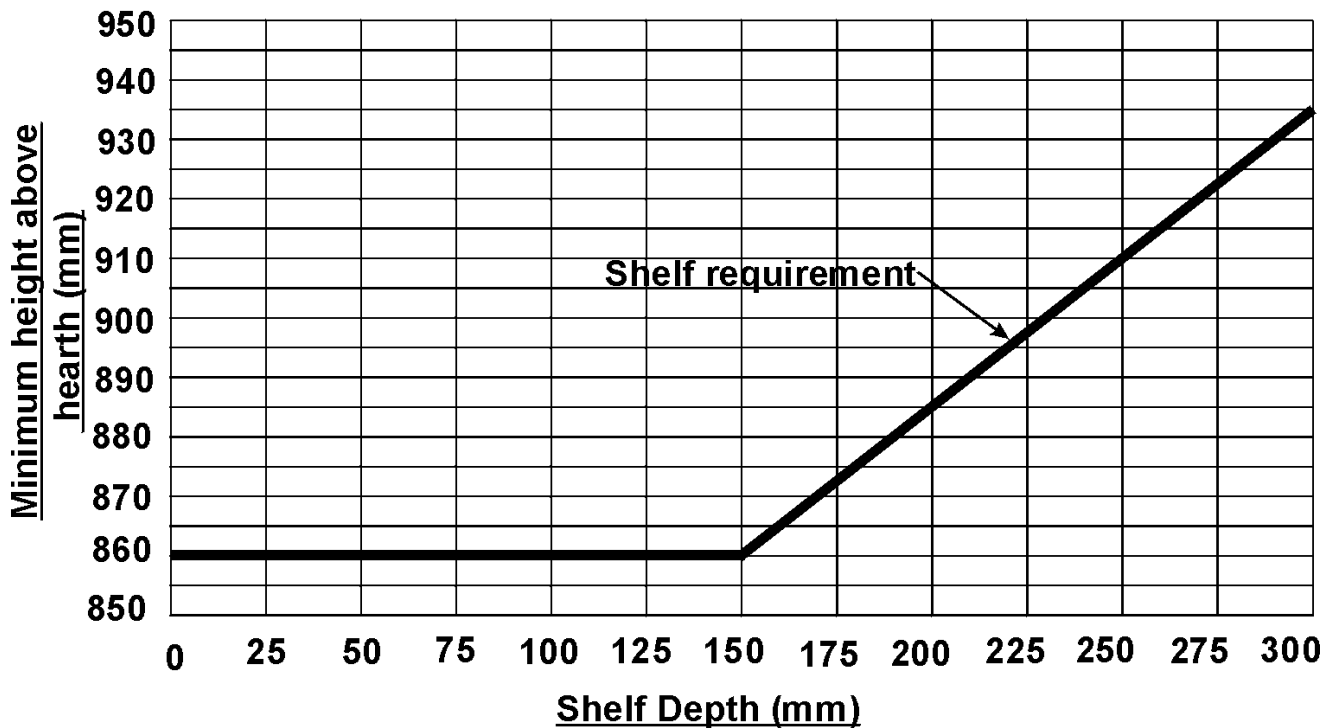
Minimum height = 860mm.

- *For a shelf deeper than 150mm*

860mm + 12.5mm for every 25mm depth over 150mm

(See Graph 1).

INSTALLER GUIDE



Graph 1. Combustible shelf clearances

4.8 Note that soft wall coverings (e.g. embossed vinyl, etc.) are easily affected by heat. They may scorch or become discoloured when close to a heating appliance. Please bear this in mind when installing.

4.9 This appliance must not be installed in any room that contains a bath or shower or where steam is regularly present.

4.10 An extractor fan may only be used in the same room as this appliance, or in any area from which ventilation for the appliance is taken, if it does not affect the safe performance of the appliance. Note the spillage test requirements detailed further on in this manual. If the fan is likely to affect the appliance, the appliance must not be installed unless the fan is permanently disconnected.

4.11 Normal adventitious ventilation is usually sufficient to satisfy the ventilation requirements of this appliance. In GB reference should be made to BS 5871 Part 2 and in IE reference should be made to the current edition of IS 813 “Domestic Gas Installations” which makes clear the conditions that must be met to demonstrate that sufficient ventilation is available.

4.12 Propane gas appliances must not be installed in a room that is built entirely below

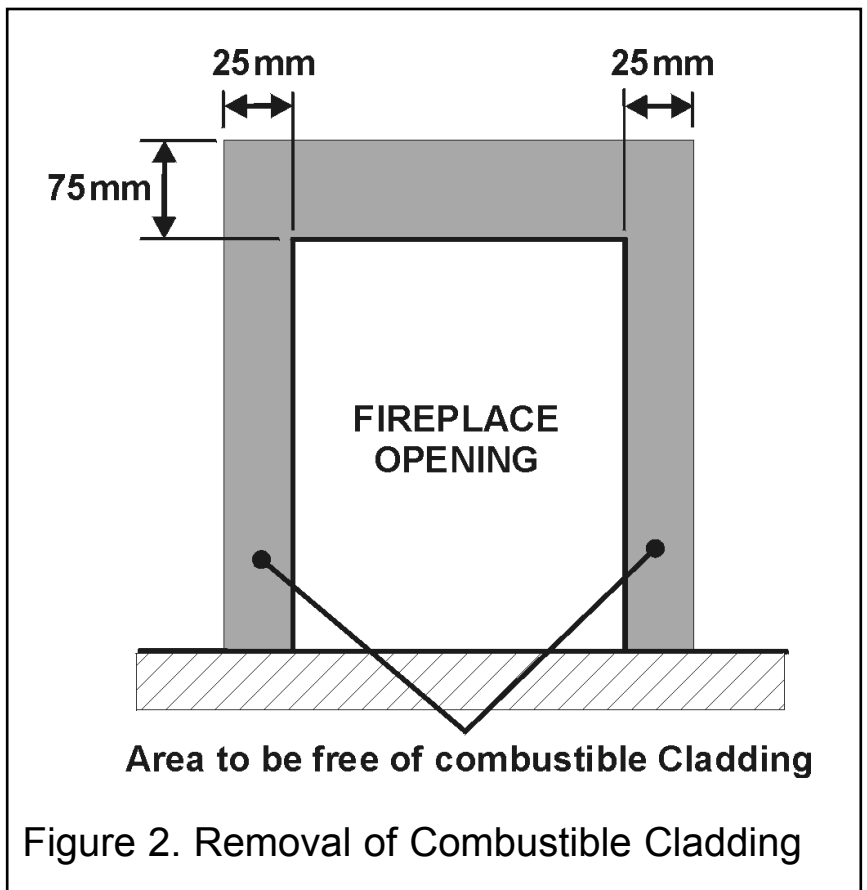
INSTALLER GUIDE

ground level (see BS 5871 Part 3).

4.13 If the appliance is to be fitted against a wall with combustible cladding, the cladding must be removed from the area shown in figure 2

4.14 Combustible side projections up to 75mm forward of the fixing plane of the fire are to be a minimum of 125mm from the fireplace opening (See figure 3)

4.14.1 Combustible side projections greater than 75mm forward of the fixing plane of the fire are to be a minimum of 178mm from the fireplace opening (See figure 3).



4.14.2 Non-combustible side projections to be 75mm from the fireplace opening (See figure 3)

4.15 The appliance is fitted with an A.S.D (Atmosphere sensing device). If the appliance closes down after a period of operation for no apparent reason, the consumer should be informed to stop using the appliance until the installation and appliance have been thoroughly checked. The A.S.D will shut the appliance down if an unacceptable amount of harmful products of combustion accumulate. Under no circumstances should the A.S.D be altered or bypassed in any way. Only a genuine manufacturers replacement part should be fitted. The individual A.S.D components are not replaceable.

4.16 A fireguard complying with BS 8423 should be fitted for the protection of young children, the elderly, or the infirm.

INSTALLER GUIDE

5. APPLIANCE DIMENSIONS

Combustible projections up to 75mm forward of the fixing plane of the fire to be a minimum of 125mm from the fireplace opening. Projections above 75mm forward of the fixing plane of the fire to be a minimum of 178mm from the fireplace opening. Non-combustible projections to be 75mm from the fireplace opening.

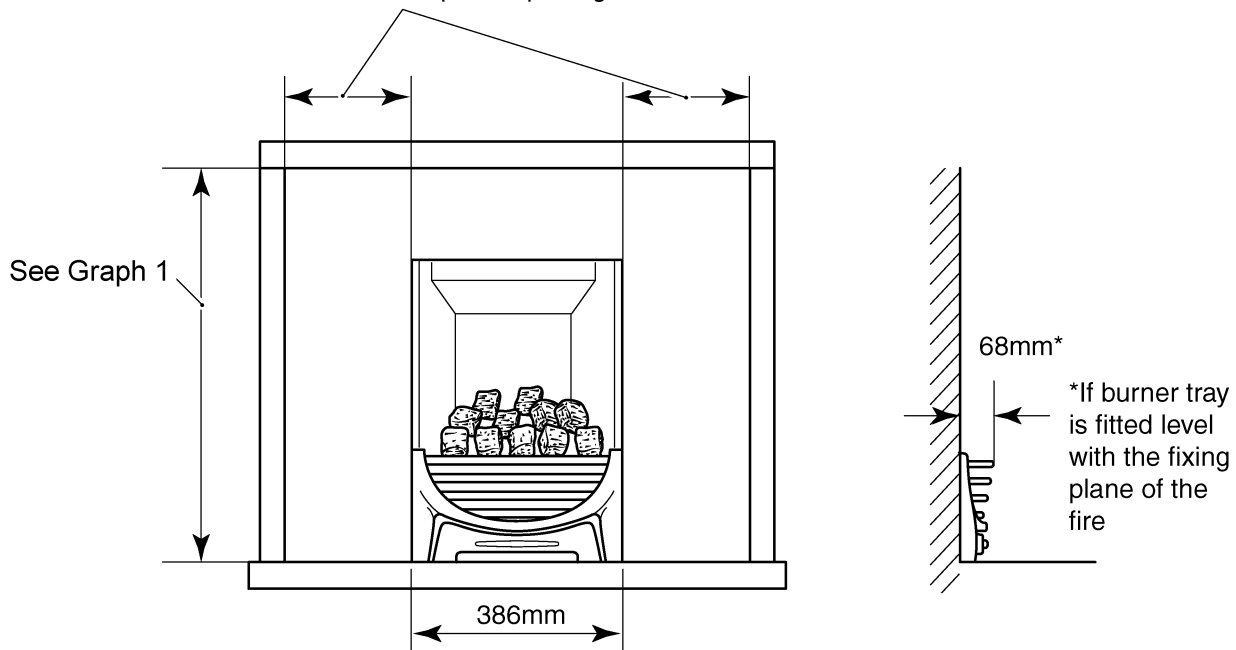


Figure 3. Appliance dimensions

6. UNPACKING

Contents:

- 1 Burner assembly
- 1 Nut & olive for 8mm inlet pipe
- 2 Screws
- 2 Plastic screw plugs
- 1 Fuel bed matrix support plate
- 2 Self tapping screws
- 2 Front coals (1 x right hand 1 x left hand)
- 1 Coal base
- 1 Firefront and Cover
- 1 Inlet 'T' connector

Carefully remove the contents. Take special care in handling the ceramic components and the coals. Check that all the listed parts are present and in good condition.

INSTALLER GUIDE

7. INSTALLATION OF APPLIANCE

INSTALLATION

7.1 Fireplace size

The fireplace must comply with the requirements described in section 4.

7.2 Fireplace flue pull.

Visually inspect the flue for any obstruction, and that a smooth transition from the fireplace opening into the flue is available. Close all doors and windows in the room in which the appliance is to be installed. After confirming with a match that smoke is drawn into the flue, light a 13 gram smoke pellet and check that there is a definite flow through the flue. Verify outside that the smoke exits from one terminal only and that the termination is suitable. Observe, where possible, upstairs rooms and loft spaces for signs of escaping smoke indicating a defective flue. If there is not a definite flow warm the flue for a few minutes and repeat the smoke pellet test. If there is still no definite flow the flue may need remedial work – **Do not fit the appliance until there is a definite flow through the flue.**

IMPORTANT

Before continuing with the installation of this gas fire the aeration setting on the burner must be checked. This is factory set. See section 12.1 (Servicing and parts replacement).

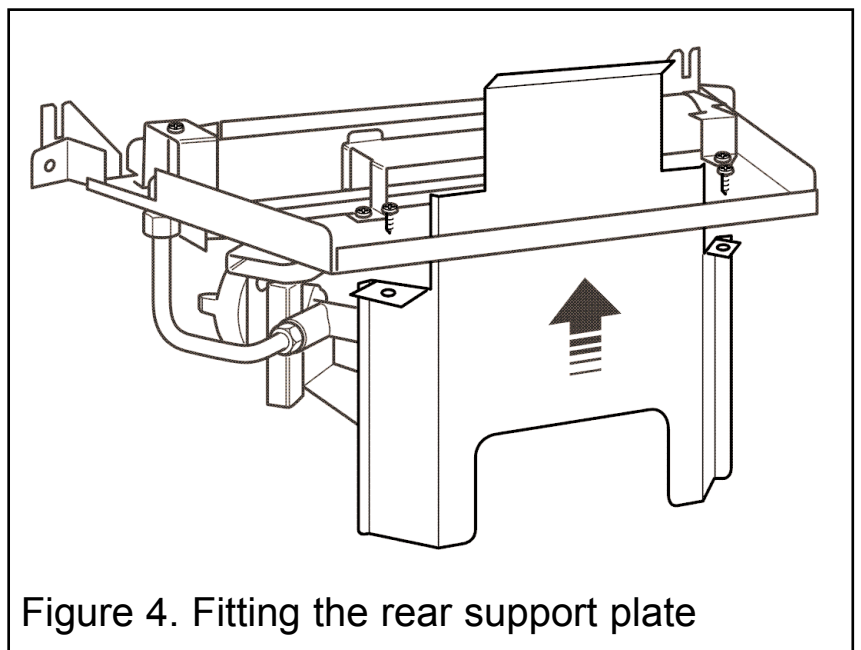


Figure 4. Fitting the rear support plate

INSTALLER GUIDE

7.3 Installation of the burner unit

7.3.1 Prior to installation of the burner the rear support plate must be fitted (See figure 4). Two self-tapping screws retain the plate.

7.3.2 Burner Positioning

The two tags at the side of the burner can be folded against the side of the burner tray.

This may be required for installations where the width of the fireplace opening is restricted (See figure 5)

Place the burner unit centrally within the fireplace opening. Position the burner to the rear of the opening, this may be extended forward providing the front of the burner tray does not protrude beyond the front plane of the fireplace opening by more than 33mm. (See figure 6).

7.3.3 Locating the burner.

Place the burner assembly in position. Mark on the fireplace floor the position of the fixing holes in the bracket that is attached to the rear of the front leg (See figure 7).

There are two holes in this bracket to prevent burner movement in use.

Remove the burner assembly.

Using a 6mm masonry drill, drill into the hearth at the marked positions.

Insert the supplied screw plugs.

Remove the screw securing the fixing bracket to the front leg. Remove the fixing

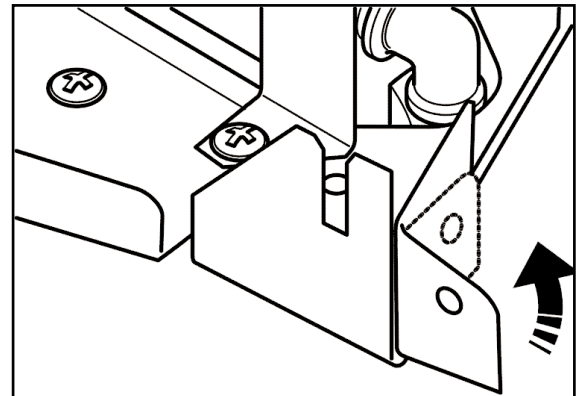


Figure 5. Burner Tags

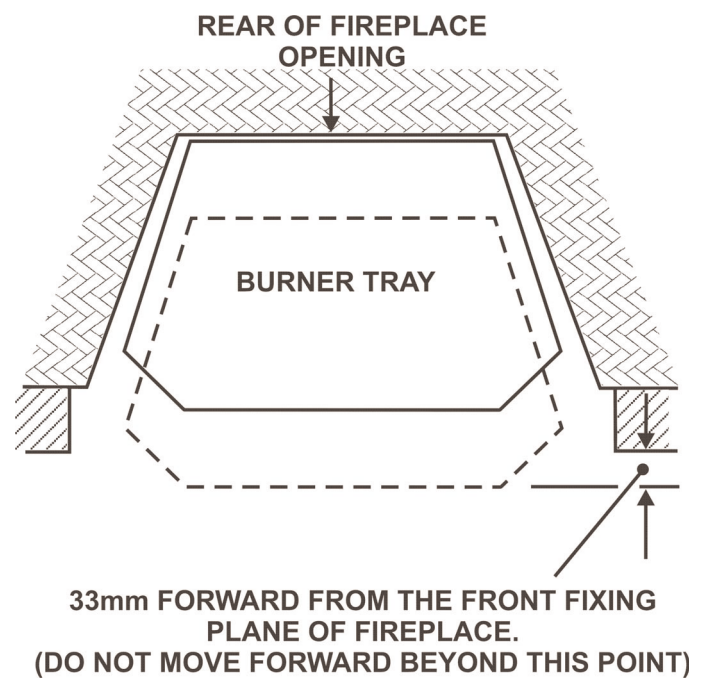


Figure 6. Burner positioning

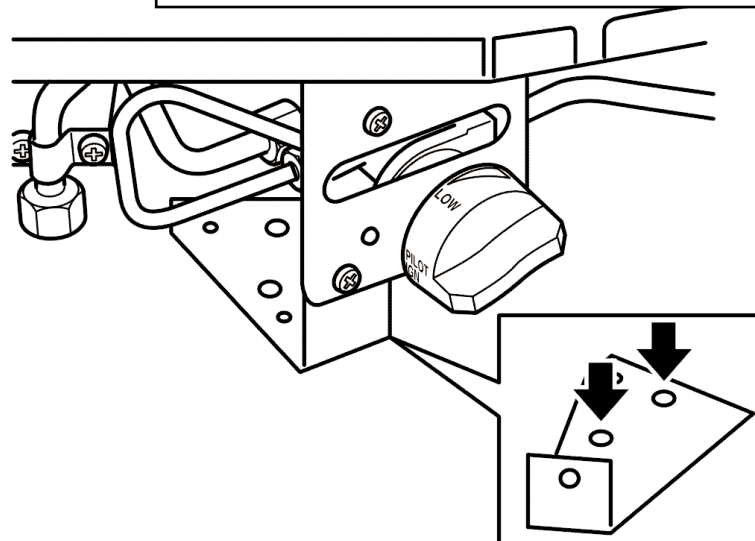


Figure 7. Locating the burner (Method 2.)

INSTALLER GUIDE

bracket.

Place the bracket in position on the fireplace floor and fix in position using the woodscrews provided.

Place the burner assembly back in position and attach to the bracket by refitting the screw.

8. BURNER AND SUPPLY PIPE INSTALLATION

A nut and olive is provided for an 8mm-pipe inlet connection directly to the gas control. The inlet 'T' connector can be rotated to allow a connection from any direction. The inlet 'T' connector includes a valve for isolating the gas supply. Note that the centre of the appliance inlet 'T' connector is 25mm above the fireplace floor. The inlet 'T' connector should be fitted to the supply pipe at this stage.

The supply pipe must be rigid material. Flexible pipe must not be used. Connect the supply line to the appliance.

Turn on the gas supply and pressure check the installation pipework for gas soundness. In the United Kingdom (GB) check in accordance with the current edition of BS 6891. In the Republic of Ireland check in accordance with the current edition of IS 813 "Domestic Gas Installations".

8.1 Preliminary burner checks.

Some burner operations can be checked at this stage. Checking now will mean that less disassembly will be required if any problems are found. *A full check should still be made, however, after final installation.*

8.1.1 Lighting the fire

If closed, open the isolating inlet 'T' connector. Depress the control knob and rotate it anticlockwise to the pilot ignition position. A 'click' will be heard as the integral piezo operates. A spark should be seen between the electrode and pilot tip. Turn the control knob clockwise to the 'Off' position. Repeat this operation until a flame appears at the pilot. There may be a delay before the pilot lights due to air being purged from the system. When a flame appears at the pilot keep the control knob depressed and hold the pilot ignition position for five seconds. When the control knob is released the pilot flame should remain lit.

INSTALLER GUIDE

8.1.2 Operating the burner.

When the pilot burner is operating properly, gradually turn the control knob anti-clockwise to 'HIGH' (Depress the knob slightly to get past the pilot ignition position). The main burner should now light. Depress the control knob slightly to release from the 'HIGH' position and turn back (clockwise) to 'LOW'. While turning, the burner flames should gradually become lower but remain alight. Depress the control knob slightly to release from the 'LOW' position and turn back (clockwise) to the Pilot ignition position. The main burner should extinguish but the pilot should remain alight. Depress the control knob slightly and turn back (clockwise) to turn OFF.

This will extinguish the pilot.

8.1.3 Checking the inlet pressure.

The appliance is pre-set to give the correct heat input at the inlet pressure shown in section 3 of this manual. No adjustment is necessary.

1. Check the inlet pressure by fitting a pressure gauge at the test point. The test point is on the inlet 'T' connector. See figure 8. Check the pressure with the appliance alight and set at maximum output.

2. After checking, turn off the appliance. Remove the pressure gauge and replace the test point sealing screw.

3. Relight the appliance. Turn to the maximum output position and test around the sealing screw for gas soundness with a suitable leak detection fluid.

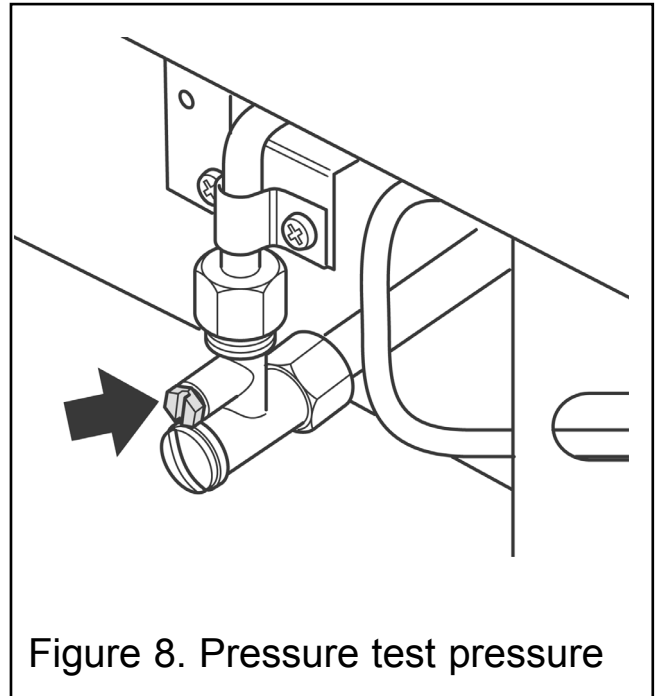


Figure 8. Pressure test pressure

INSTALLER GUIDE

9. CERAMIC COALS INSTALLATION

1. Place the ceramic base coal in the burner compartment. The bottom rear face of the coal should rest **against** the angled ledge at the back of the burner tray. **The coal does not rest on top of the angled ledge.** The bottom front recess of the coal base should locate against the tags at the front of the ceramic support. (See figure 9).

2. Place the left-hand ceramic front coal in position in front of the base coal (See figure 10).

3. Place the right hand ceramic front coal in position in front of the base coal. This should overlap the left-hand coal. Push the two sides together to minimise the gap. (See figure 10).

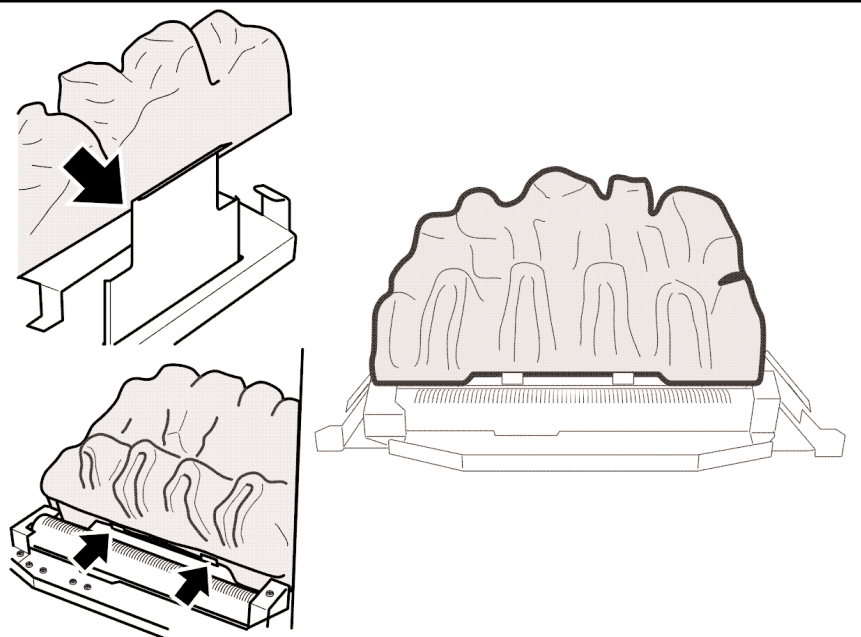
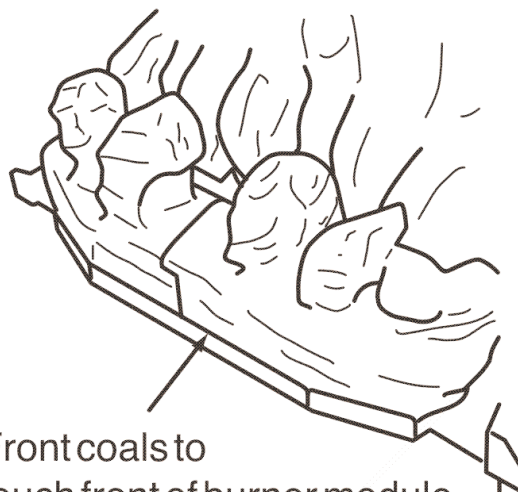
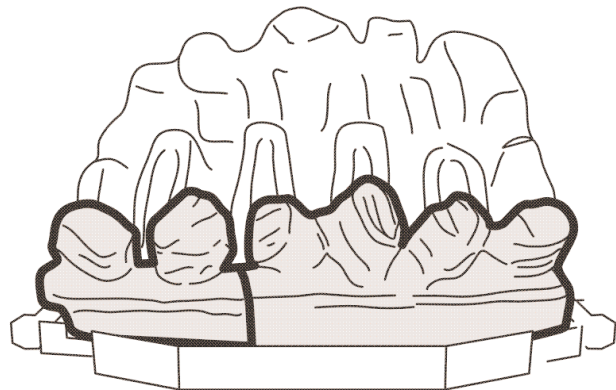


Figure 9. Ceramic base location



Front coals to touch front of burner module
Figure 10. Front Coal Location

INSTALLER GUIDE

4. Install the 12 loose coals as follows. The underside of each coal is marked with a letter 'A' to 'L' and an arrow.

5. The coals should be positioned so that the arrows always point towards the back of the firebox. When located into position the stem of each arrow should be at 90° to the rear of the fireplace opening (See figure 11).

6. Hold coal 'A' upright with the arrow pointing to the top. Locate coal 'A' as shown in figure 11.

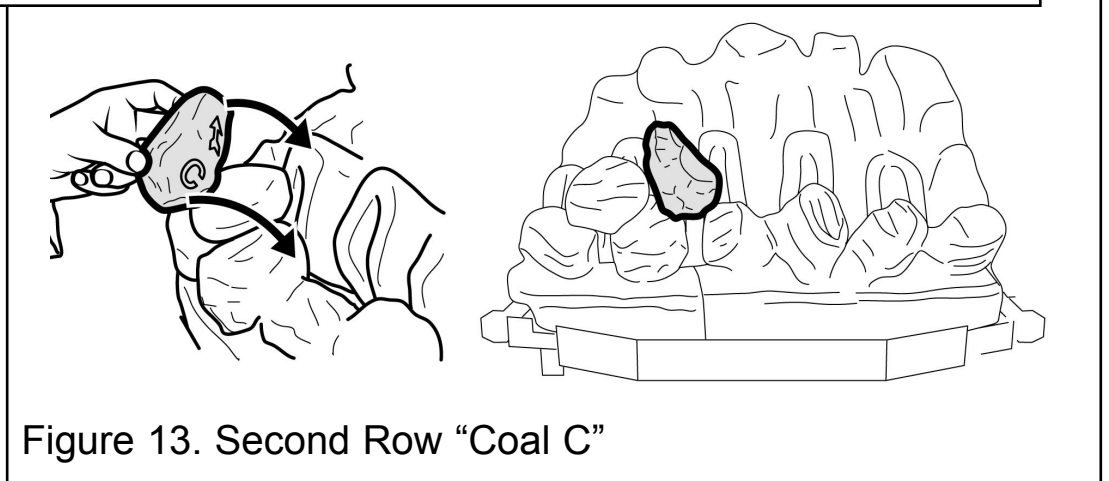
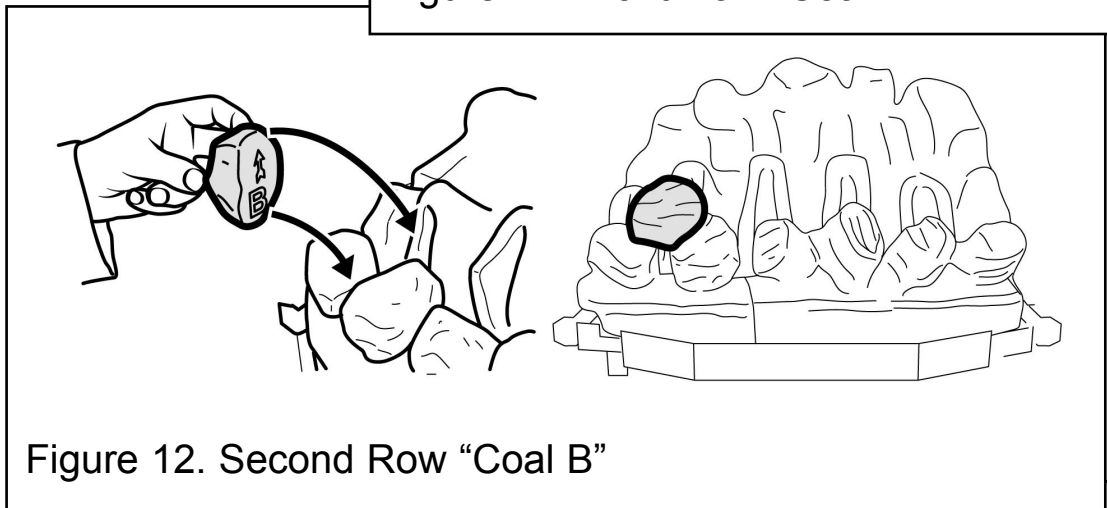
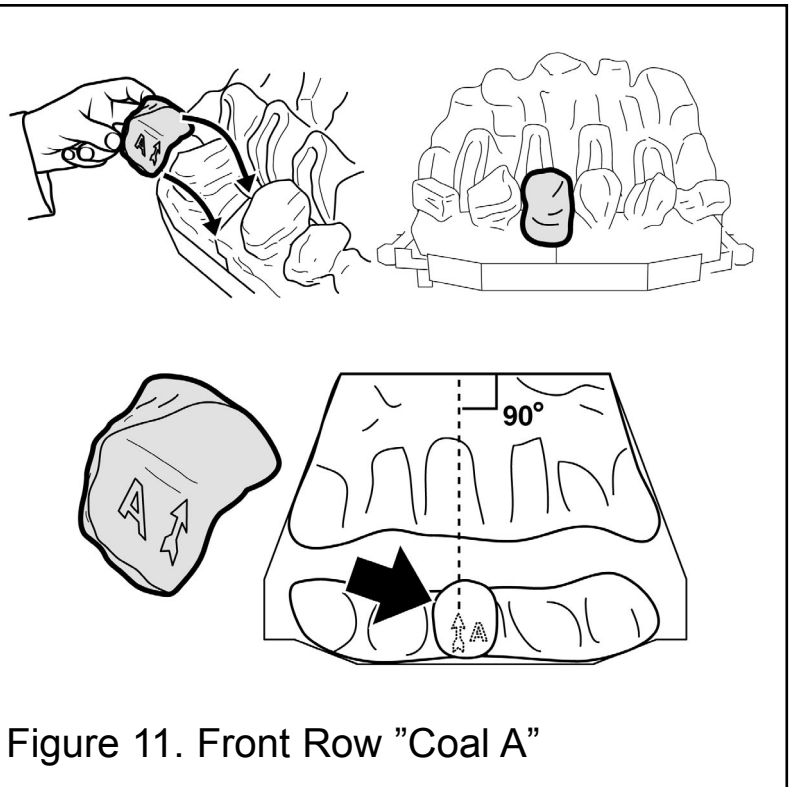
7. Locate coals 'B' to 'E' so that they are firmly seated in the valleys in the coal base and front coal.

8. Hold coal 'B' upright with the arrow pointing to the top.

Locate coal 'B' as shown in figure 12.

9. Hold coal 'C' upright with the arrow pointing to the top.

Locate coal 'C' as shown in figure 13.



INSTALLER GUIDE

10. Hold coal 'D' upright with the arrow pointing to the top. Locate coal 'D' as shown in figure 14.

11. Hold coal 'E' upright with the arrow pointing to the top. Locate coal 'E' as shown in figure 15.

12. Hold coal 'F' upright with the arrow pointing to the top. Locate coal 'F' as shown in figure 16.

13. This will complete the second row of loose coals.



Figure 14. Second Row "Coal D"

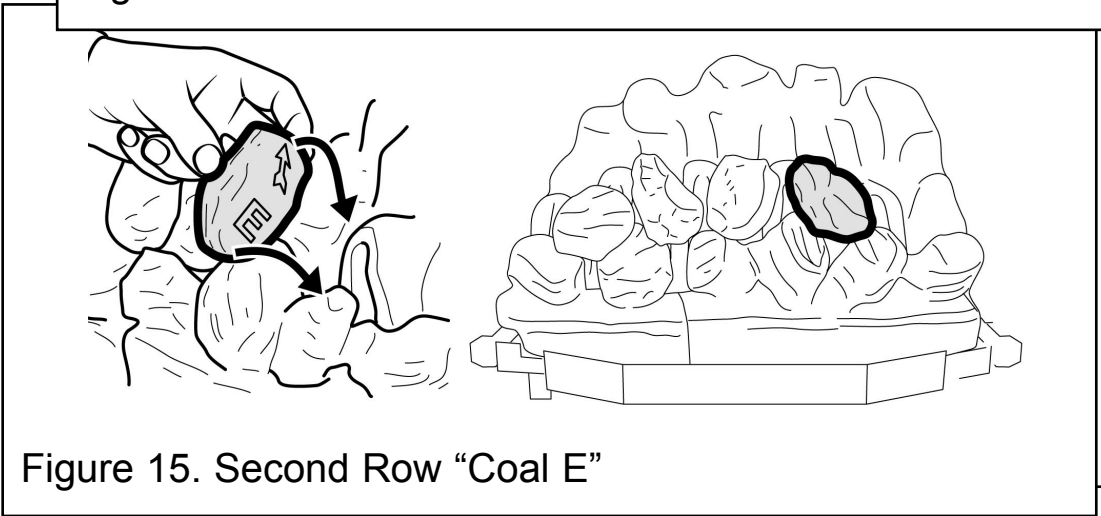


Figure 15. Second Row "Coal E"

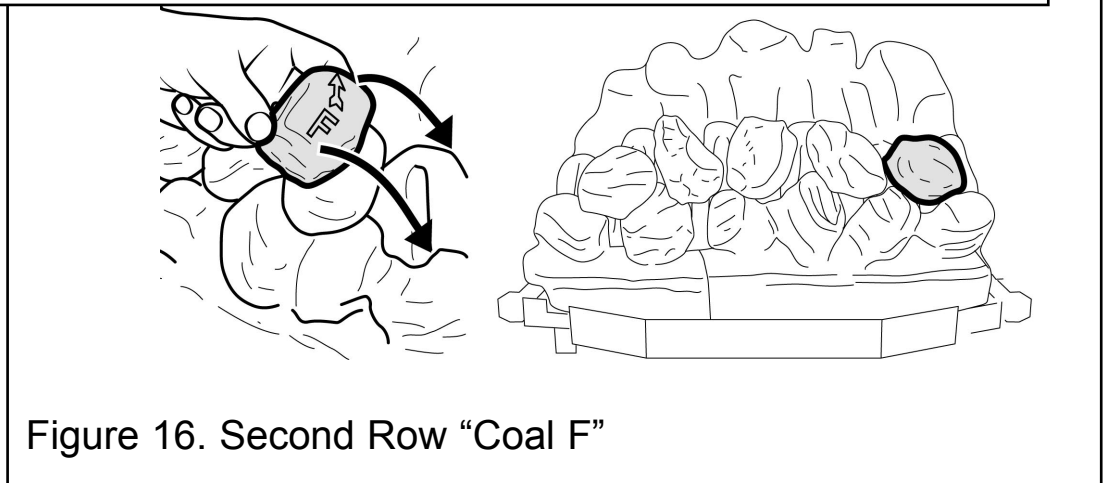


Figure 16. Second Row "Coal F"

INSTALLER GUIDE

14. Locate coals 'G' to 'K' so that they are firmly seated in the valleys in the coal base.

15. Hold coal 'G' upright with the arrow pointing to the top. Locate coal 'G' as shown in figure 17.

16. Hold coal 'H' upright with the arrow pointing to the top. Locate coal 'H' as shown in figure 18

17. Hold coal 'I' upright with the arrow pointing to the top. Locate coal 'I' as shown in figure 19.

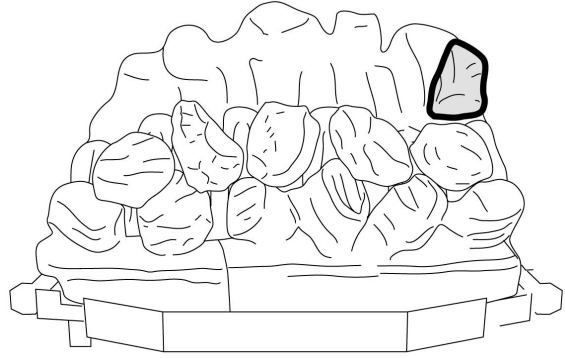
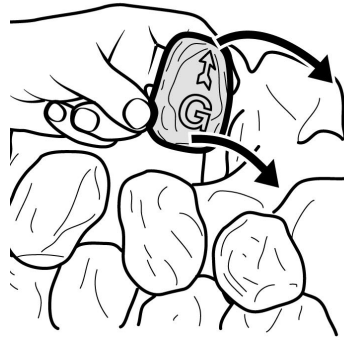


Figure 17. Second Row "Coal G"

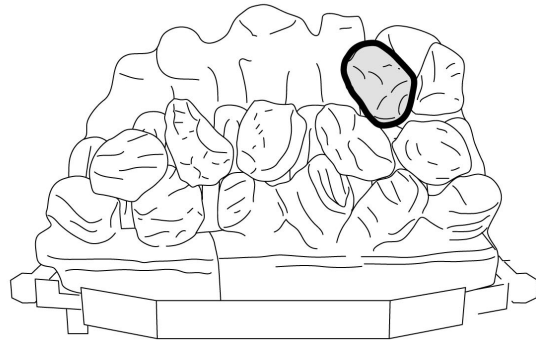
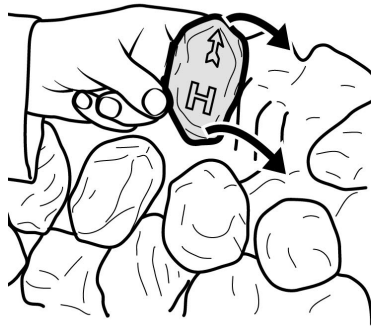


Figure 18. Second Row "Coal H"

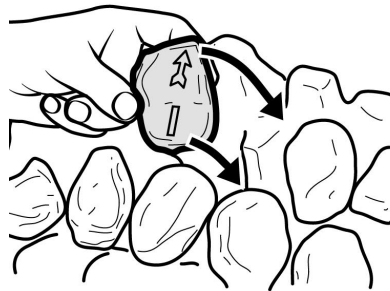


Figure 19. Second Row "Coal I"

INSTALLER GUIDE

18. Hold coal 'J' upright with the arrow pointing to the top. Locate coal 'J' as shown in figure 20.

19. Hold coal 'K' upright with the arrow pointing to the top. Locate coal 'K' as shown in figure 21

20. Hold coal 'L' upright with the arrow pointing to the top. Locate coal 'L' as shown in figure 22

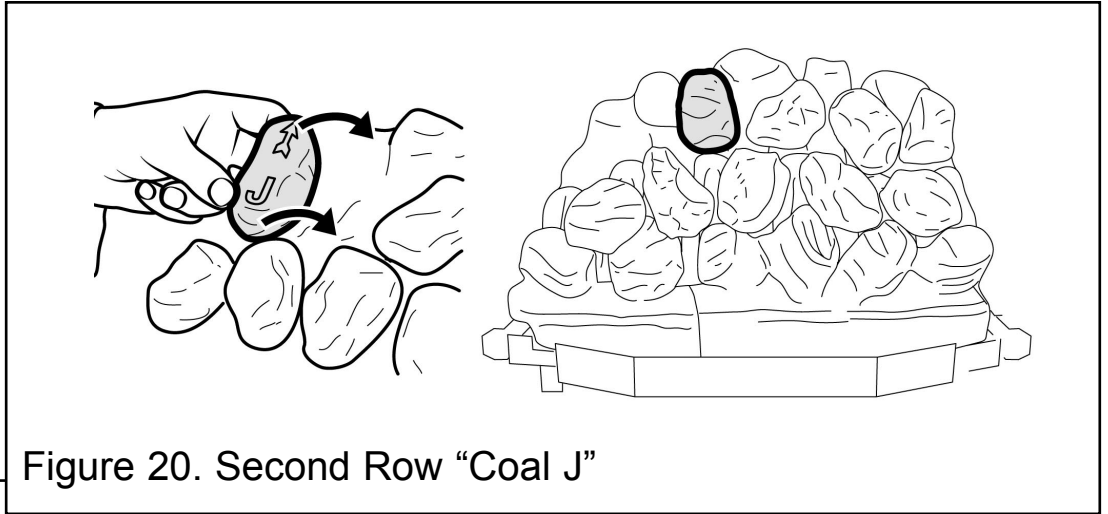


Figure 20. Second Row "Coal J"

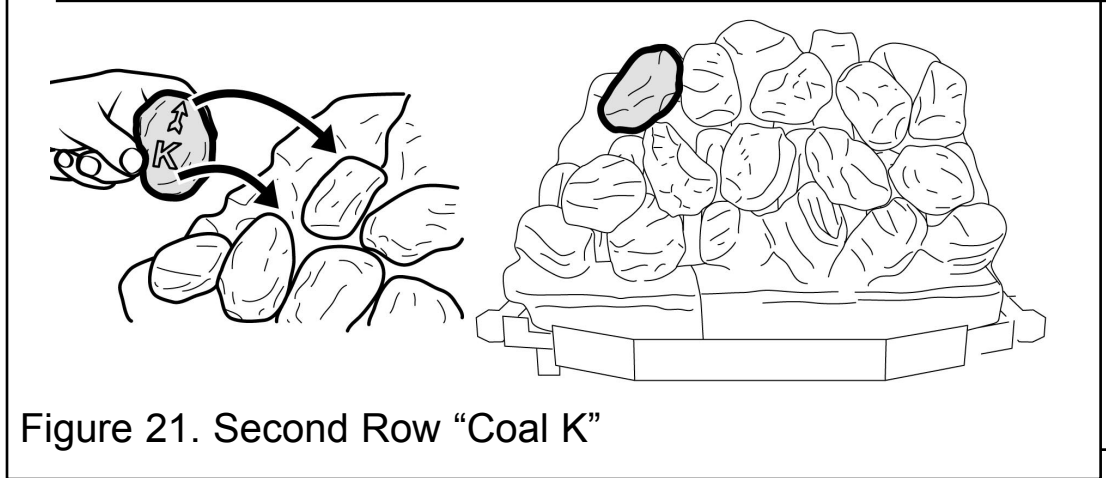


Figure 21. Second Row "Coal K"

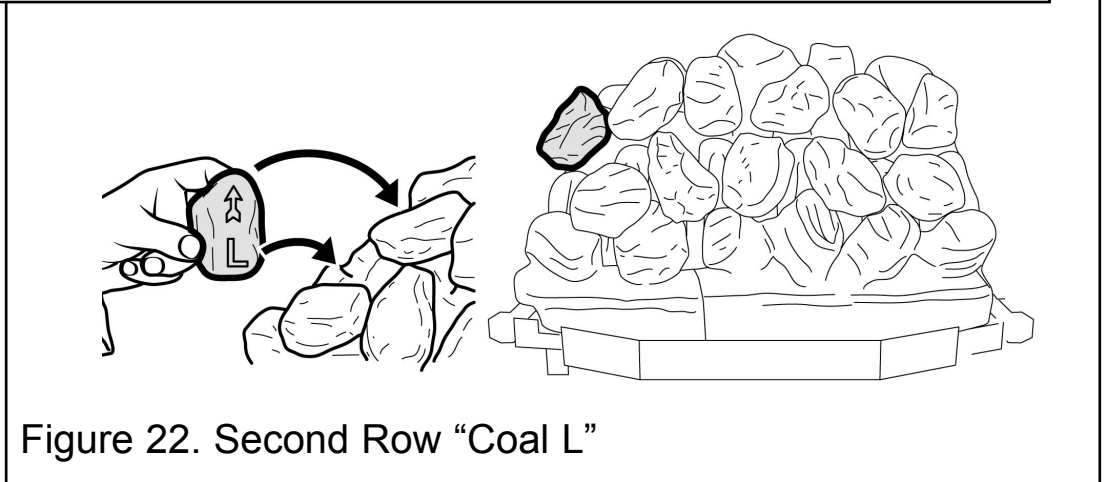


Figure 22. Second Row "Coal L"

INSTALLER GUIDE

10. FITTING THE FIREFRONT

1. Check that the two screws in the back of the fire front casting are in the outer threaded holes. If they are in the inner holes, relocate them. See figure 23.

2. Locate the two screw heads through the keyhole slots in the brackets located on top of the burner. If the screw heads do not project enough or project too far, the screws can be adjusted. Lower the casting so that it rests on the hearth. See figure 24.

3. Fit the lower firefront casting below the front casting locating it as shown in figure 25.

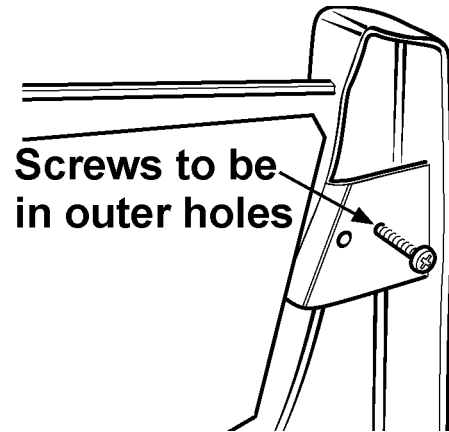


Figure 23. Firefront casting location

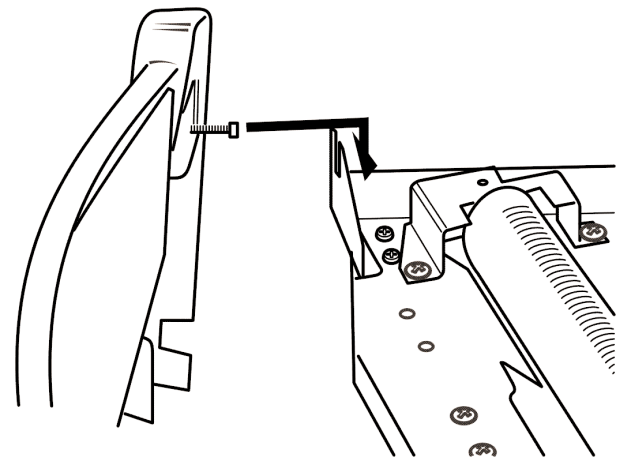


Figure 24. Firefront casting location

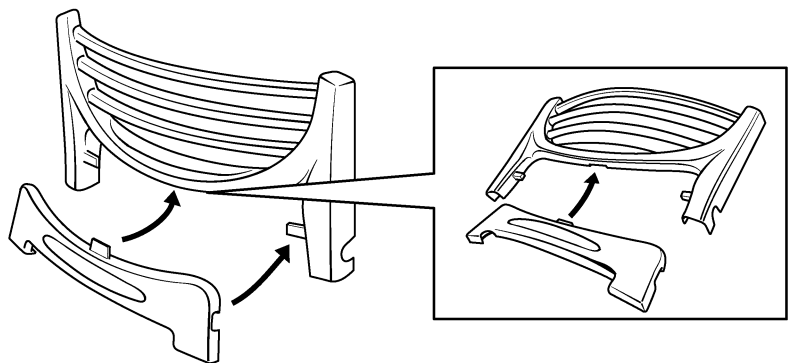


Figure 25. Lower Firefront casting location

INSTALLER GUIDE

11. FULL OPERATING CHECKS

11.1 Spillage check.

- *A spillage check must be made before leaving the installed appliance with the customer. Make this with all the ceramic fuel effect pieces are in position. (See figure 26)*

- Close all doors and windows in the room containing the appliance. Light the appliance and set the control to the 'HIGH' position. Leave the appliance on for five minutes. See lighting instructions within section 5 of this guide.

- Insert the smoke match at least 50mm away from the side of the fireplace opening and not more than 50mm from the top of the opening. The end of the smoke match should be level with the front face of the fireplace opening.

- The installation is satisfactory if the smoke is drawn into the fireplace opening. If the smoke is not drawn into the fireplace opening, leave the appliance alight at the maximum setting for a further ten minutes and then repeat the test. If smoke is still not drawn into the appliance ***disconnect the appliance and seek expert advice.***

- If the above test is satisfactory, open all internal connecting doors, hatches, etc. in the room. Keep all doors and windows that open to the outside of the building closed.

Switch on any extractor fan installed in the same room as the appliance or a connecting room. Open all doors and other openings between the fan and the appliance. Recheck for spillage as above. If the smoke is drawn into the appliance, continue with the installation. If the test is not satisfactory, ***disconnect the appliance and advise the customer of the cause of failure.***

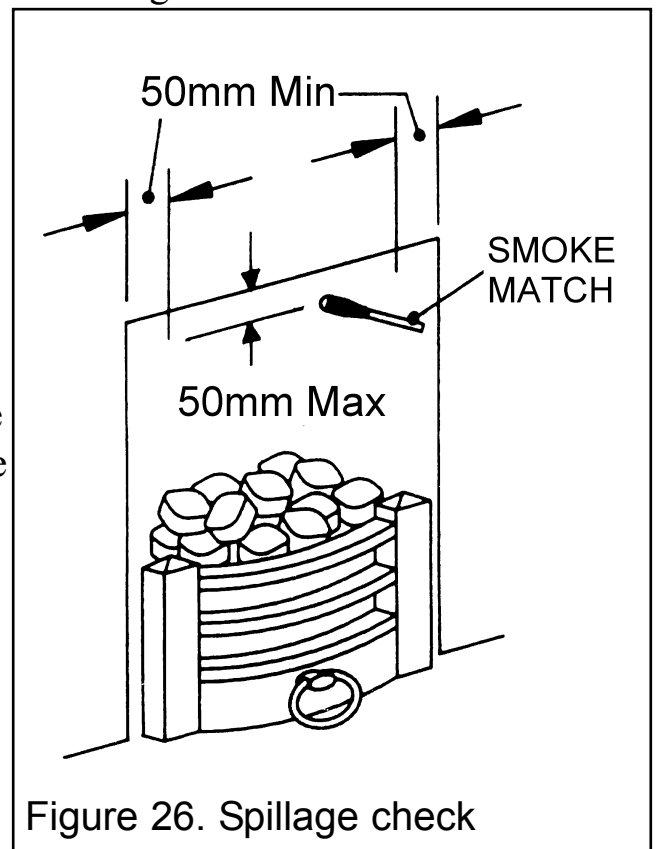


Figure 26. Spillage check

11.2 Flame Supervision & Spillage Monitoring System

The pilot unit incorporates a system that will automatically shut off the gas supply if the

INSTALLER GUIDE

pilot flame goes out or if there is insufficient oxygen due to spillage or lack of ventilation.

Check that the system operates properly as follows;

- Light the appliance. Set at the “HIGH” position and leave for one minute.
- Turn back to “OFF” to extinguish the pilot. **Note the time when the pilot goes out.**

Listen for a snap sound at the gas tap. **Note the time when the sound is heard.** An electromagnetic valve shutting off the gas supply through the tap causes this sound. The valve is located in the body of the tap. The valve should operate **within 60 seconds of the pilot going out.** If the valve does not operate within this time limit do not allow the appliance to be used until the fault has been corrected.

This monitoring system must not be adjusted, bypassed or put out of operation. This monitoring system, or any of its parts, must only be exchanged using Baxi fires division authorised parts.

11.3 Final commissioning

- Visually inspect the appliance. Clean off any marks incurred during installation.
- Hand this guide to the customer.
- *Stress that no extra coals must be added over and above those supplied with the appliance and that any replacements must only be authorised spares. Warn that ignoring this advice could cause incomplete clearance of the products of combustion with consequent health hazards.*
- Advise the customer how to operate the appliance. Point out that lighting instruction details are contained within the user’s instructions.
- Explain that this appliance is fitted with an atmosphere-sensing device, ODS pilot unit that will automatically shut off the supply of gas to the fire if, for any reason, the flames go out. It will also shut off the gas supply if the flue is blocked or if there is not enough ventilation. If this device does operate or if the fire is turned off accidentally or intentionally, always wait three minutes before attempting to relight.
- Advise the customer that the fire front and ceramic pieces can be cleaned as described in the user’s instructions and that the ceramic pieces must be replaced as described in those instructions.
- Recommend that the appliance should be serviced and the chimney inspected by a competent person at least annually.

12. SERVICING & PARTS REPLACEMENT

Always turn off the gas supply before commencing any servicing (The appliance inlet 'T' connector incorporates an isolating valve).

It is recommended that, at least once a year, the appliance is disconnected and the fireplace opening checked and cleared of any debris.

This product uses fuel effect pieces containing Refractory Ceramic Fibres (RCF), which are man-made vitreous silicate fibres. Excessive exposure to these materials may cause irritation to eyes, skin and respiratory tract. Consequently, it is important to take care when handling these articles to ensure that the release of dust is kept to a minimum. To ensure that the release of fibres from these RCF articles is kept to a minimum, during installation and servicing we recommend that you use a HEPA filtered vacuum to remove any dust and soot accumulated in and around the fire before and after working on the fire. When replacing these articles we recommend that the replaced items are not broken up, but are sealed within a heavy duty polythene bag, clearly labelled as RCF waste. This is not classified as "hazardous waste" and may be disposed of at a tipping site licensed for the disposal of industrial waste. Protective clothing is not required when handling these articles, but we recommend you follow the normal hygiene rules of not smoking, eating or drinking in the work area and always wash your hands before eating or drinking.

- Check that the appliance is clean and that soot or debris is not blocking the gaps between the ceramic fuel effect pieces causing an imperfect flame.
- Check that soot or debris is not impairing the electrode spark or pilot burner.
- Check that soot or debris is not blocking any of the slots in the main burner.
- After servicing, make sure that the ceramic fuel effect pieces are replaced correctly as described in the installation instructions.
- **Always test for gas soundness and spillage after servicing the appliance.**

INSTALLER GUIDE

12.1 Checking the aeration setting of the burner.

1. The aeration collar is factory set and **will** require adjustment. **It is important to ensure that the aeration setting is correct (See figure 27).**

2. To adjust the aeration setting, loosen the two aeration shutter screws, slide the aeration shutter to the position shown in figure 27 and tighten the fixing screws.

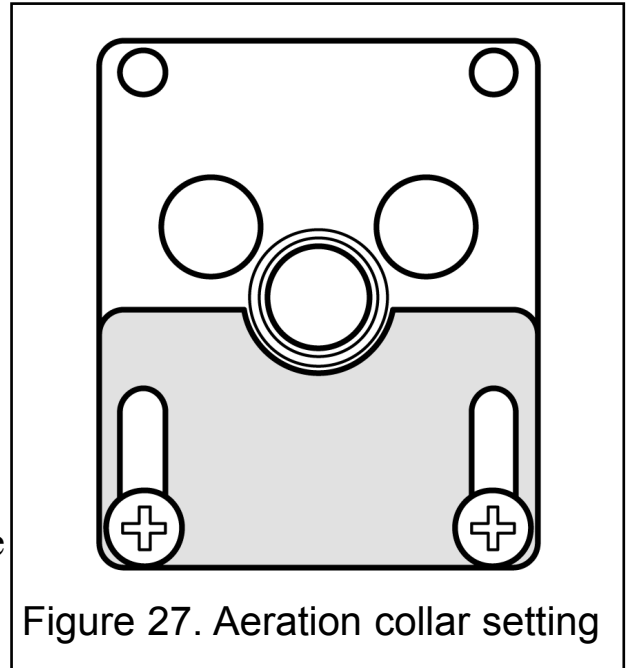


Figure 27. Aeration collar setting

12.2 To Remove the Burner Unit

1. Remove the firefront and place in a safe position.

2. Remove the ceramic fuel effect as below: - Remove the 12 loose coals, the front coals and the coal matrix. Place in a safe position.

3. Close the valve in the inlet 'T' Connector .

4. Disconnect the appliance from the inlet 'T' Connector.

5. Remove the front leg fastening screw. This is located to the left of the control knob.

6. Lift the burner out of the fireplace opening.

7. Replace in the reverse order.

12.3 To Remove the Pilot Unit

1. Remove the burner unit - See section 12.2.

2. Detach the pilot pipe from the pilot unit.

3. Detach the thermocouple from the gas valve

4. Detach the electrode lead from the underside of the electrode tab.

5. Remove the two screws securing the pilot unit . See figure 28.

6. Refit in the reverse order.

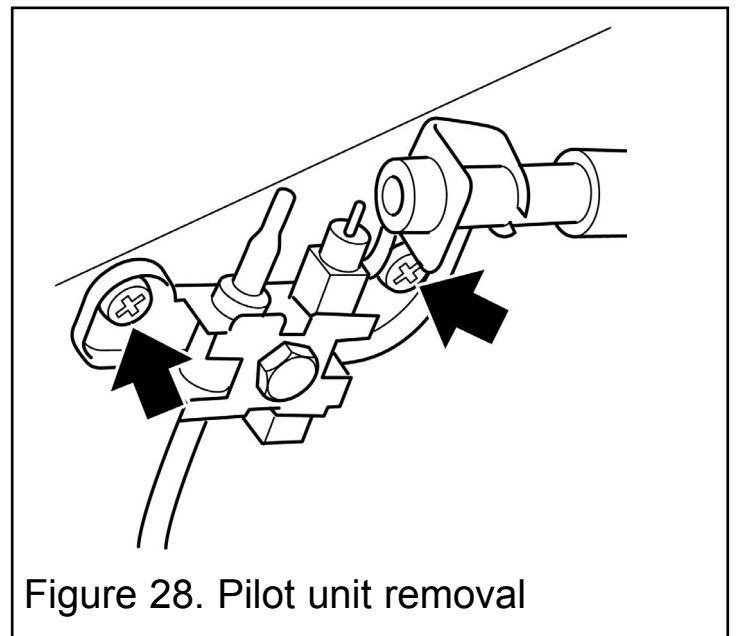


Figure 28. Pilot unit removal

Note:

1. *The pilot unit is an atmosphere sensing device. It must be replaced as a whole assembly. Its individual components are not separately replaceable.*

INSTALLER GUIDE

12.4 To Remove the gas valve

See figure 29.

1. Remove the burner unit - See section 12.2.
2. If lying the burner on its back, ensure that the worksurface is suitably protected. This will avoid damage to the worksurface. Turn the burner unit upside down. Detach the thermocouple from the tap.
3. Detach the pilot pipe from the tap.
4. Detach the inlet pipe.
5. Detach the injector pipe.
6. Detach the electrode lead from the base of the electrode.
7. Remove the control knob by pulling forward.
8. Remove the thermocouple by unscrewing the thermocouple nut at the gas valve.
9. Remove the hexagonal nut securing the gas valve to the mounting bracket.
10. Remove the gas valve.
11. Refit in the reverse order.

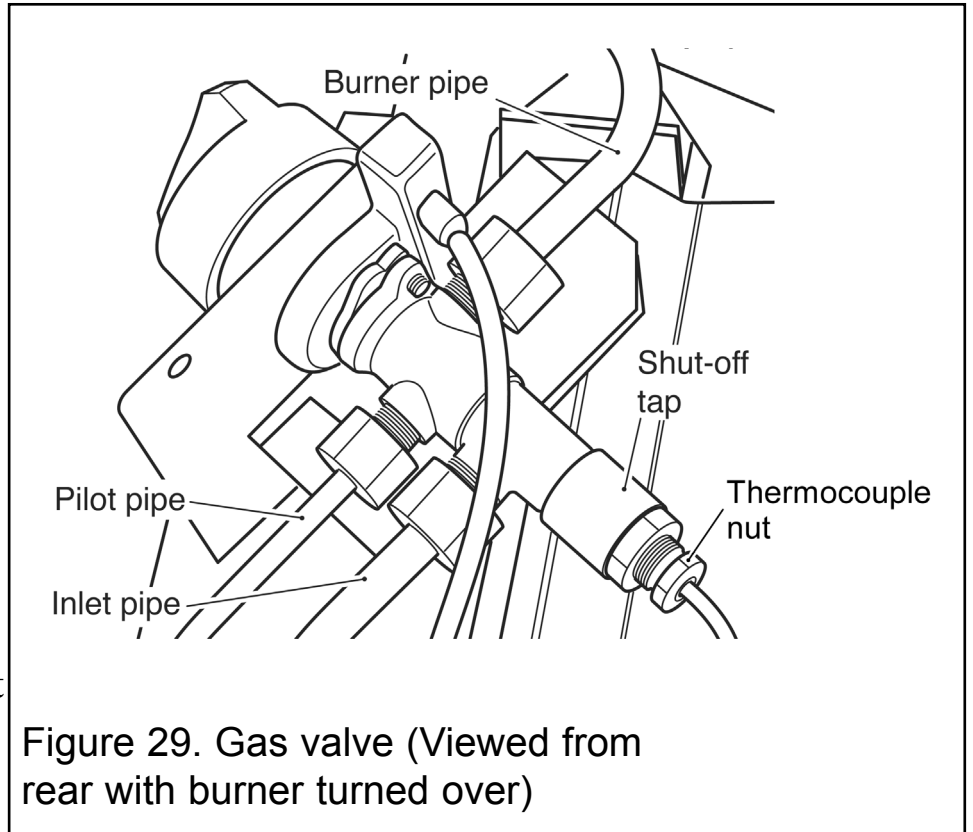


Figure 29. Gas valve (Viewed from rear with burner turned over)

12.5 To Remove the Piezo Generator

1. Remove the gas valve as section 12.4.
2. Make sure that the tap is in the off position.
3. Remove the circlip holding the piezo unit to the tap. Remove the piezo unit.
4. Replace in the reverse order.

12.6 To Grease the Control Tap

1. Detach the tap and remove the piezo generator as section 12.5 making sure that the tap is in the off position.
2. Remove the two screws from the head of the tap. Remove the nutting head and spindle complete with collar and spring.
3. Note the position of the slot in the plug - mark its position on the tap body.
4. Remove the plug rotating slightly while pulling.

INSTALLER GUIDE

5. Clean and grease the plug lightly with suitable grease. Do not apply excessive grease. Particularly, make sure that the gas ports in the tap are not restricted by grease.
6. Push the plug into the tap body and position the slot in line with the mark previously made on the tap body.
7. Reassemble the niting head and spindle complete with collar and spring making sure that the components are correctly engaged. Check the operation of the tap.
8. Refit the piezo generator.

12.7 To Replace the Burner

See figure 30.

1. Remove the burner unit - See section 12.2.
2. Support the elbow injector and unscrew the injector nut.
3. Remove the two screws from the burner clamping plate (See figure 30)
4. Lift the right hand side of the burner, slide it to the right and lift clear
5. Refit in reverse order.

12.8 To Remove the Main Burner Injector

See figure 31.

1. Remove the burner - See section 12.7.
2. Remove the burner clamping screw (See figure 31)
3. Unscrew the injector from the burner
4. Refit in the reverse order.

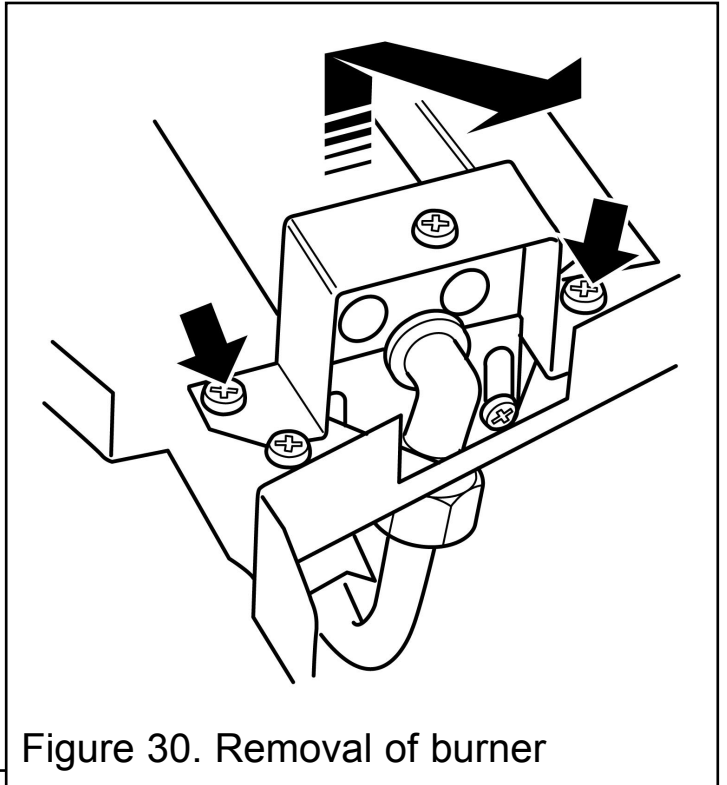


Figure 30. Removal of burner

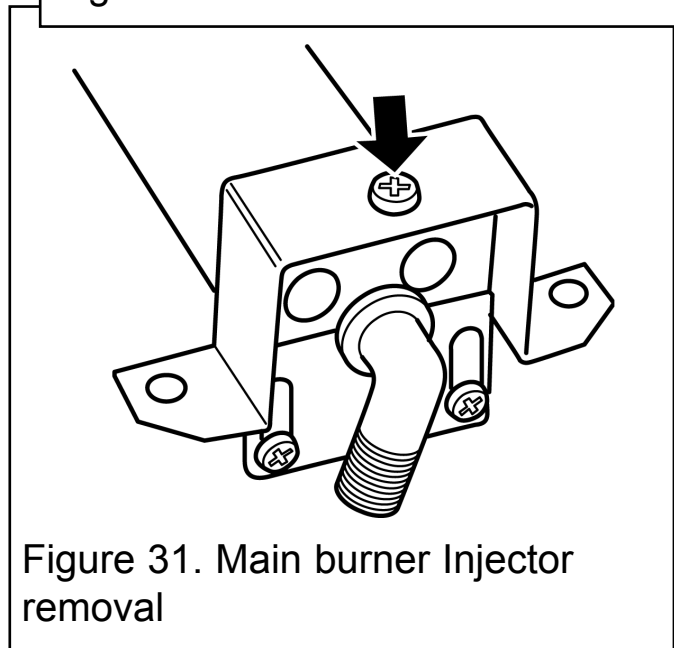
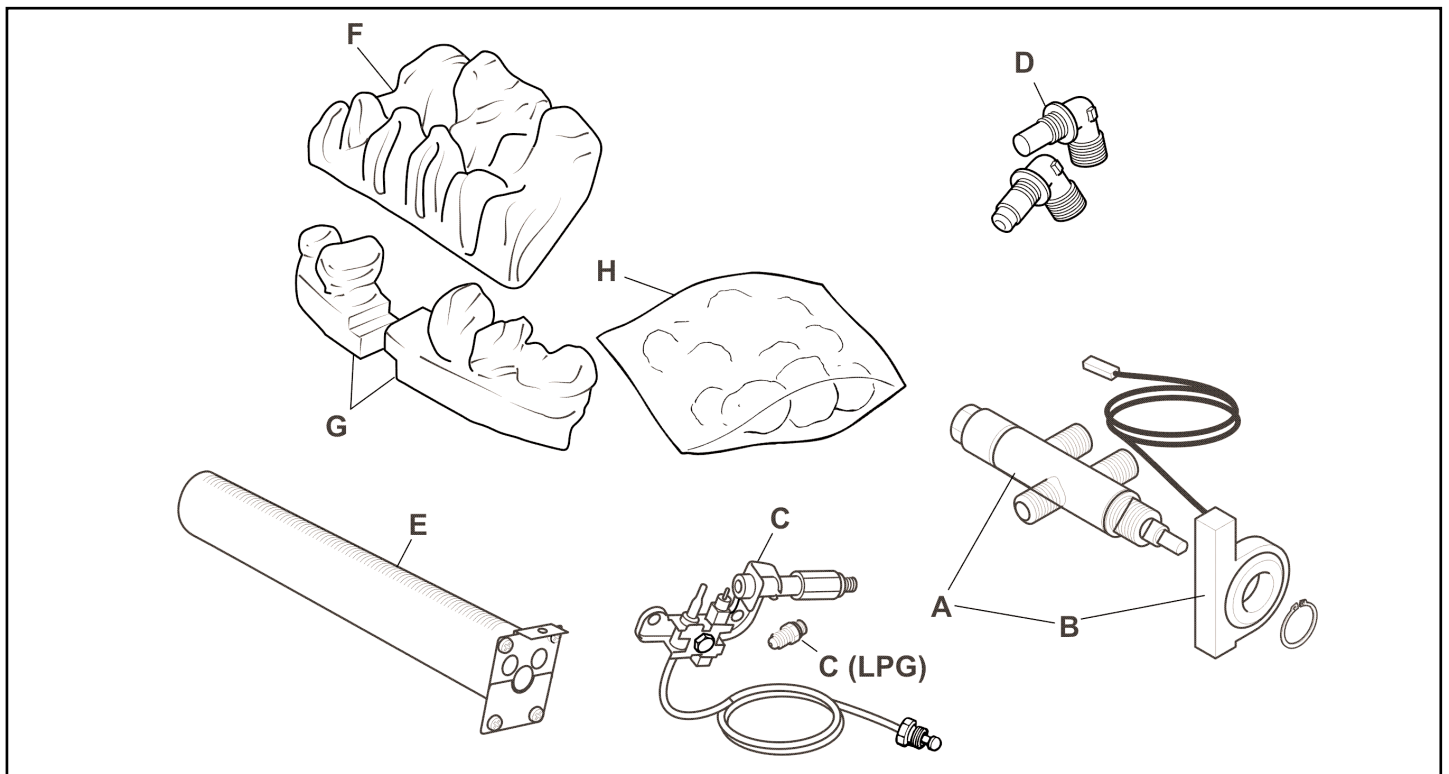


Figure 31. Main burner Injector removal

INSTALLER GUIDE

13. SHORT LIST OF SPARES



| KEY NO. | DESCRIPTION | NO. OFF | MAKER'S PART NO. |
|---------|---|---------|------------------|
| A | Gas Valve | 1 | 5108222 |
| B | Piezo spark generator and circlip | 1 | 5108923 |
| C | Pilot unit - <i>For Natural Gas Appliances</i> | 1 | 3002988 |
| | Pilot injector - <i>For Propane Gas Appliances</i> | | 5108552 |
| D | Injector Stereomatic Cat 82 - 074 - <i>For Natural Gas Appliances</i> | 1 | 5108136 |
| | Injector Stereomatic Size 132 and carrier - <i>For Propane Gas Appliances</i> | | 5108558 |
| E | Burner for Natural Gas and LPG | 1 | 3003203 |
| F | Base coal | 1 | 5108040 |
| G | Front coal set | 1 | 5108553 |
| H | Pack of loose coals | 1 | 0583319 |