

OWNER'S GUIDE

Model BGC2 Balanced Flue

(GC No. 32-032-20)



***INSET BALANCED FLUE
GAS FIRE***



(Manufacturer ref. 540)

**THIS APPLIANCE IS FOR USE WITH NATURAL GAS (G20)
THIS APPLIANCE IS FOR USE IN THE UNITED KINGDOM (GB) AND THE
REPUBLIC OF IRELAND (IE) ONLY.**

This guide is intended to help you care for your gas fire. Please read thoroughly before using and keep for future reference

For Service Phone 0845 960 5040

Manufactured exclusively for British Gas & Scottish Gas by Valor Heating, Wood Lane, Erdington, Birmingham B24 9QP

This guide to be left with the owner

OWNER'S GUIDE

Safety First.

This fire is CE Approved and designed to meet the appropriate British Standards and Safety Marks.



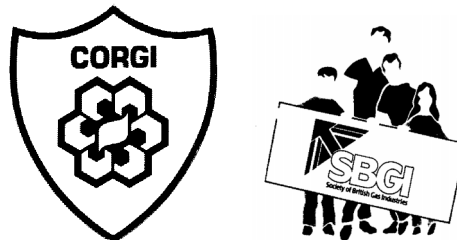
Quality and Excellence

This fire has been manufactured to the highest standards of quality and excellence and was manufactured under a BS EN ISO 9001 quality system accepted by the British Standards Institute.



The Highest Standards

The manufacturer is a member of the Society of British Gas Industries which works to ensure high standards of safety, quality and performance.



Careful Installation

The manufacturer is a CORGI registered company. This gas fire must be installed by a competent CORGI Registered Installer in accordance with our Installer Guide and should not be fitted directly on to a carpet .

Because our policy is one of constant development and improvement, details may vary slightly from those given in this publication

OWNER'S GUIDE

LIST OF CONTENTS

SAFETY	4
DIMENSIONS & GAS CONSUMPTION	6
OPERATING YOUR FIRE	7
CLEANING YOUR FIRE	8
Metal parts	8
To clean the inside of the window.	8
To Clean the Fuel Bed or Rear Ceramic Wall	9
Ceramic Coals and Rear Wall	9
SERVICING & MAINTENANCE	10
Battery Replacement	10
Servicing.....	11

C U S T O M E R C A R E

This gas fire is designed to meet the most stringent quality, performance and safety requirements to provide our customers with many years' trouble-free service.

Your owner guide aims to improve your understanding and appreciation of your gas fire by providing simple and informative instructions to ensure that you benefit from the excellent performance and features it has to offer.

OWNER'S GUIDE

SAFETY

IF YOU SMELL GAS

DON'T SMOKE

EXTINGUISH ALL NAKED FLAMES

DON'T TURN ELECTRICAL SWITCHES ON OR OFF

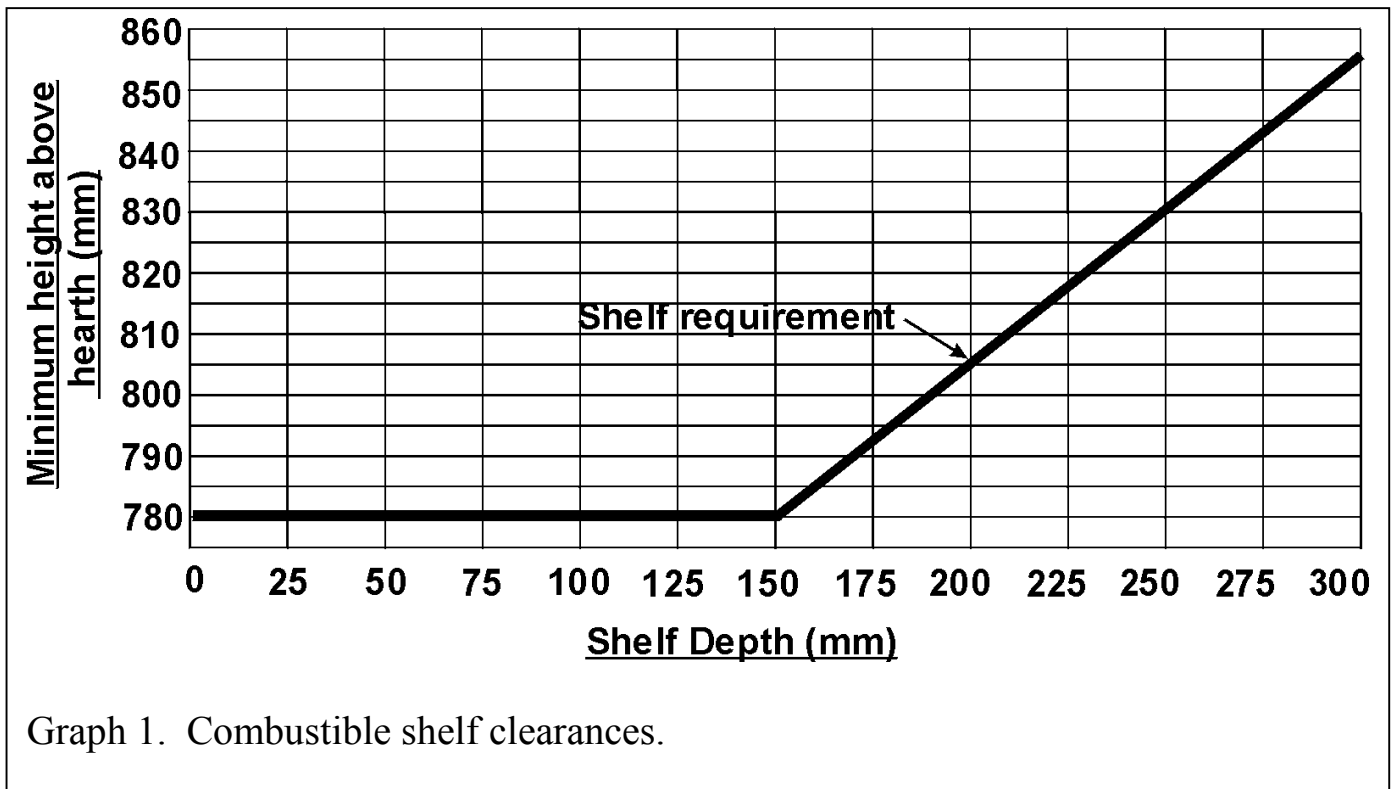
TURN OFF THE GAS SUPPLY AT THE METER

OPEN DOORS AND WINDOWS TO GET RID OF THE GAS

IMMEDIATELY CALL THE GAS EMERGENCY SERVICE – SEE YOUR LOCAL TELEPHONE DIRECTORY

DO

- ✓ Have the fire installed by a competent person. In the United Kingdom, installation must be in accordance with the latest edition of the Gas Safety (installation & use) Regulations. In the Republic of Ireland, installation must be in accordance with all national and local regulations in force.
- ✓ Have the fire installed in accordance with the installation instructions
- ✓ Provide a minimum clearance as shown in graph 1 above the hearth to any shelf made of wood or other combustible material. Please bear this in mind if you are making any alterations to the room.



- ✓ Provide a minimum clearance of 51mm each side of the fire to combustible surfaces and for servicing access.

OWNER'S GUIDE

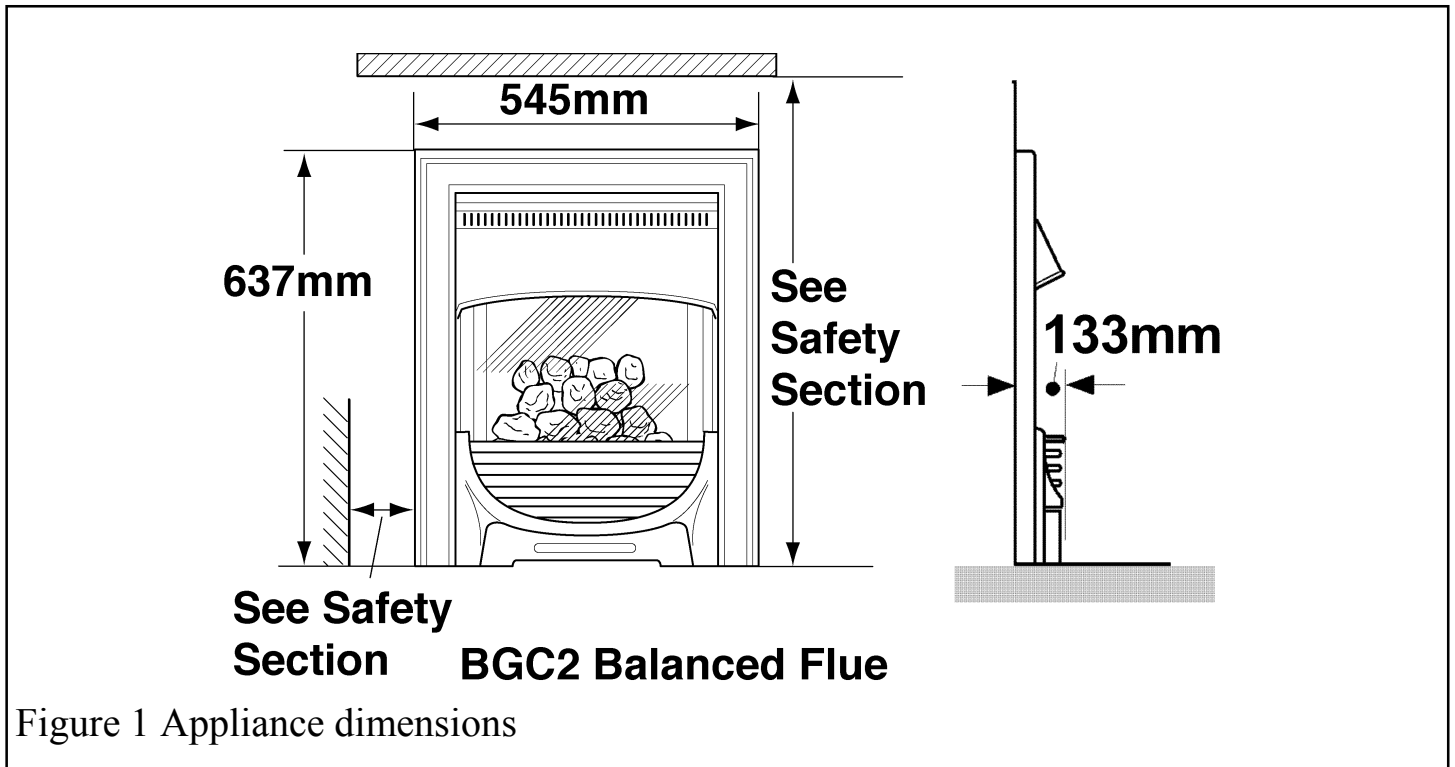
- ✓ Provide a suitable guard which complies with BS 6539 or 6778 for the protection of young children, the elderly and the infirm. Such a guard is also recommended for the protection of pet animals. *Although this fire conforms to all the applicable standards, it is a heating appliance and certain parts of its surface will become hot.*
- ✓ Wait three minutes before attempting to relight if the fire is switched off or the flames are extinguished for any reason. *Your fire is fitted with a safety device which will automatically shut off the gas supply to the fire if, for any reason, the flames go out.*
- ✓ Get advice about the suitability of any wall covering near your fire. Soft wall coverings (e.g. embossed vinyl, etc.) which have a raised pattern, are easily affected by heat. They may, therefore, scorch or become discoloured when close to a heating appliance. Please bear this in mind whenever you are considering redecorating.
- ✓ Keep the flue terminal on the outside wall free from all obstructions and blockages.

DON'T

- ✗ Hang clothing, towels or any other fabrics over the fire.
- ✗ Use the fire without the glass window panel in position or with damaged glass.
- ✗ Add any loose coals on to the ceramic fuel piece supplied with the fire. This could cause a safety hazard.
- ✗ Use the fire without the ceramic fuel bed and rear wall correctly in position or if they are damaged.
- ✗ Put paper or any other material on the fire.
- ✗ Place any carpet, rug or other soft surface material under or within 300mm forward of the appliance over its full width side-to-side. (Although this fire does not have to be on a non-combustible hearth, such soft materials could interfere with the air flow into and through the bottom of the heater)
- ✗ Attempt to clean or service the fire until it has been switched off and allowed to cool completely.

OWNER'S GUIDE

DIMENSIONS & GAS CONSUMPTION



Gas Consumption

This appliance has a maximum gas at input its highest setting of 3.65kW (Gross)

The maximum heat output is 2.7 kW.

The minimum heat input is 1.13 kW.

OWNER'S GUIDE

OPERATING YOUR FIRE

The controls are shown in figure 2.

To light the pilot

- Push in the right control knob (the pilot lighting knob) and, while keeping it depressed, turn anticlockwise through the ignition position marked ☆ and up to the pilot position marked ●. The spark should light the pilot. The pilot flame can be seen by looking through the gap near the left side of the coal front (See figure 3).

- When the pilot has lit, keep the right hand control knob depressed for a few seconds to prevent the flame supervision device from shutting off the gas supply while its probe warms up, as explained above, then release it. If the pilot does not remain alight turn the knob back to the off position marked ●. Wait a few seconds and repeat the lighting sequence.

To Light the Main Burner

- Partially depress the right control knob and turn to the main burner position marked ◁.

- The main burner flames are controlled by using the rocker switch at the right side of the fire case. Operating the rocker switch automatically causes the knob at the left side of the pilot control knob to rotate. Pressing in the top half of the switch turns the main burner on. Keeping the top half pressed gradually increases the flame height and heat output. Pressing the bottom half reduces the flame height and heat output and finally turns the main burner off. In the unlikely event of failure of the rocker switch, the left side knob can be turned manually.

To Turn Off the Main Burner Only

- Press in and hold the bottom half of the rocker switch until the main burner is extinguished. Alternatively, the main burner can be extinguished by turning the right hand control knob to the pilot position marked ●.

To Turn Off the Main Burner and Pilot

- Turn the right hand control knob to the pilot position marked ●. Push the knob in at this position and turn to the off position marked ●.

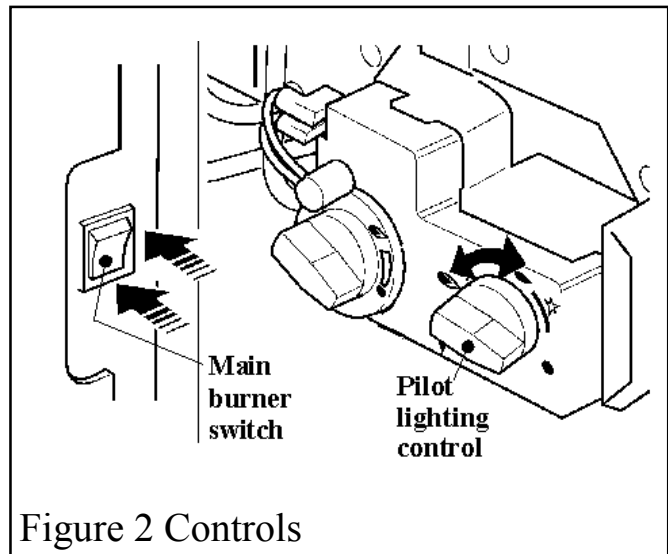


Figure 2 Controls

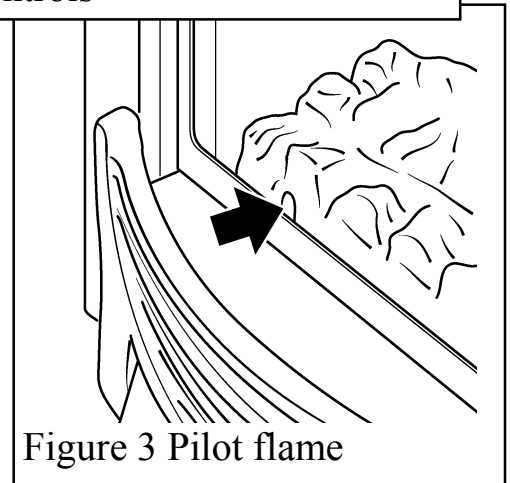


Figure 3 Pilot flame

CLEANING YOUR FIRE

Turn the fire off and allow it to cool before attempting any cleaning. Note that the fire will retain heat for some time after it has been turned off.

Metal parts

Clean the metal parts with a slightly damp cloth and then dry. **Do not use abrasive cleaners, they could scratch the surface.**

To clean the inside of the window.

Before the window can be detached, the front units will have to be removed as follows:

See figure 4.

- Remove the bottom front casting.
- Lift the fire front casting clear by lifting the fire front casting up and forward to release the locating screw heads at the back of the casting from the keyholes in the surround sides.
- Remove the two screws securing the bottom of the front surround to the sides of the convection box
- Raise the front surround to allow the retaining lugs at the top to clear the slots in the convection box hood and then lift clear.

Window removal & Cleaning

- Unscrew and remove the three spring loaded window fixing screws and washers from the base of the window frame. See figure 5. Keep the screws and washers in a safe place.
- Gently swing the base of the window frame forward while lifting the frame upwards. The window should lift clear of the fire. Put the window in a safe place away from your immediate work area.
- Any stains on the glass can be removed with a non-abrasive cleaner such as a ceramic hob cleaner. **Never use abrasive cleaners.** Clean the window carefully in accordance with the instructions supplied with the cleaner.

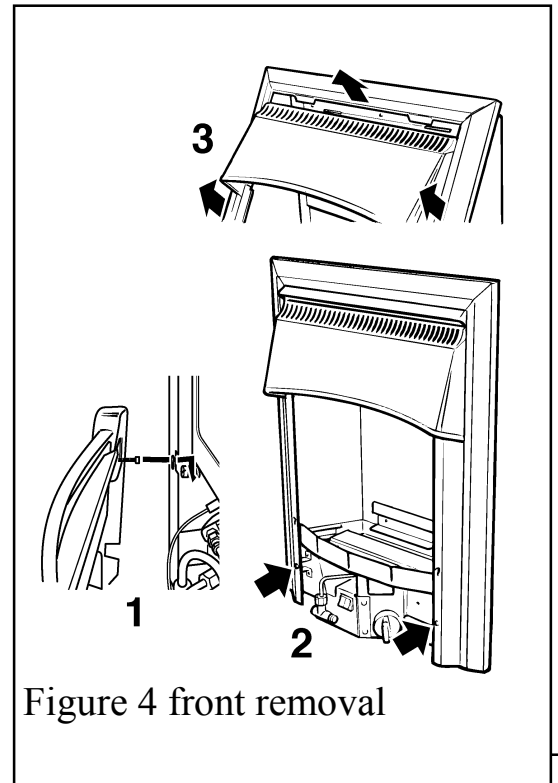


Figure 4 front removal

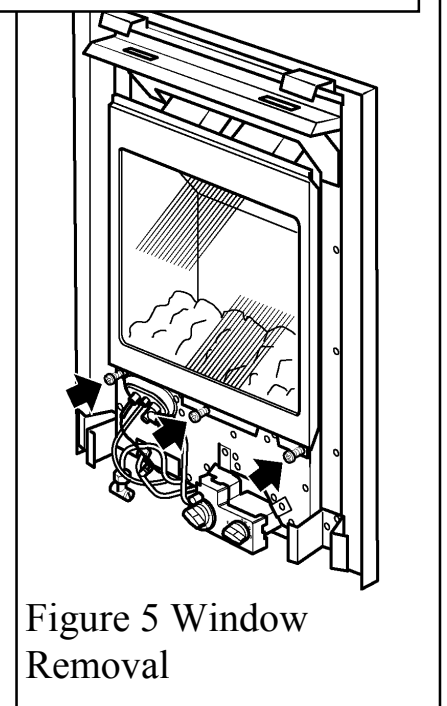


Figure 5 Window Removal

OWNER'S GUIDE

- Replace the window making sure that the seal around the frame is not damaged or misplaced. Locate the channel at the top of the window over the top of the firebox opening.
- Refit the three spring-loaded screws and washers. Tighten sufficiently to seal to the firebox.
- Replace the case front.

To Clean the Fuel Bed or Rear Ceramic Wall

Ceramic Coals and Rear Wall

- This product uses a rear wall and gaskets containing Refractory Ceramic Fibres (RCF), which are man-made vitreous silicate fibres. Excessive exposure to these materials may cause temporary irritation to eyes, skin and respiratory tract. Consequently, it makes sense to take care when handling these articles to ensure that the release of dust is kept to a minimum. To ensure that the release of fibres from these RCF articles is kept to a minimum, during installation and servicing we recommend that you use a HEPA filtered vacuum to remove any dust and soot accumulated in and around the fire before and after working on the fire. When replacing these articles we recommend that the replaced items are not broken up, but are sealed within a heavy duty polythene bag, clearly labelled as RCF waste. This is not classified as “hazardous waste” and may be disposed of at a tipping site licensed for the disposal of industrial waste. Protective clothing is not required when handling these articles, but we recommend you follow the normal hygiene rules of not smoking, eating or drinking in the work area and always wash your hands before eating or drinking.
- Light coatings of soot will usually be burnt off during the normal operation of the fire.
- Should any soot accumulation become excessive, the fuel effect pieces and rear wall should be removed from the fire for cleaning.
- Cleaning should be carried out in a well-ventilated area or in the open air by gently brushing with the pieces held away from your face so that you avoid inhaling the dust. This appliance does not contain any component manufactured from asbestos or asbestos related products.

If, for any reason the fuel bed or rear wall require cleaning proceed as follows:-

- Remove the front case and window as described above.
- Carefully lift the fuel bed out of the firebox and place it on a piece of cardboard or similar.
- If necessary remove the rear ceramic wall from the bottom channel by pushing the bottom edge of the wall upwards and very slightly pulling the top forward.
- Carefully vacuum the upper and lower surfaces of the fuel bed (and wall if necessary) using a soft brush attachment.

OWNER'S GUIDE

- When refitting the fuel bed, make sure that the front of the coal locates behind the two brackets that are behind the bottom front panel of the firebox. See figure 6.

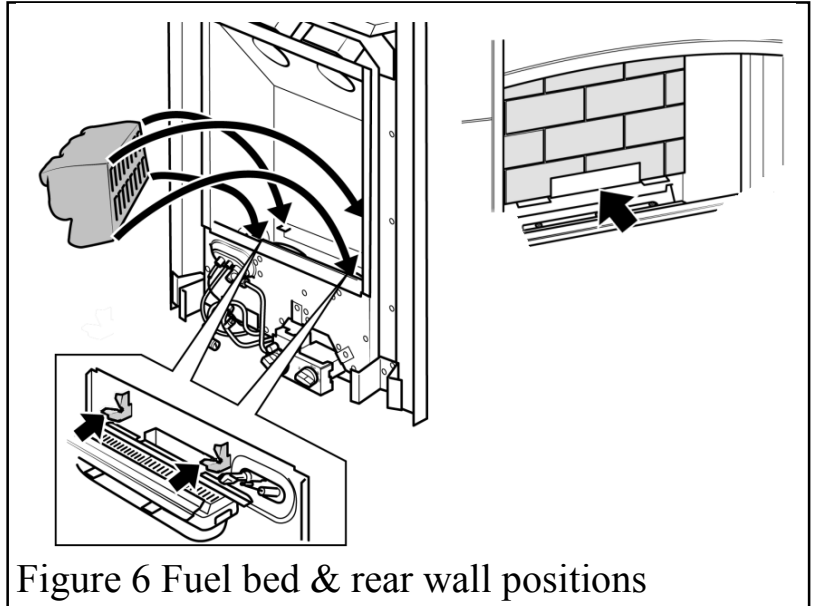


Figure 6 Fuel bed & rear wall positions

SERVICING & MAINTENANCE

- In order to achieve and maintain high levels of personal safety and performance efficiency it is essential that the flue terminal outside the building is kept clear of any form of obstruction.
- We recommend that all gas appliances and their flues, are checked annually by a competent person (in the UK a CORGI registered installer).
- In the United Kingdom it is the law that a landlord must have any gas appliance, flue and pipework which is situated in a tenant's premises checked for safety at least every twelve months.

Battery Replacement

This appliance uses four 1.5V AA batteries.

- To change the batteries remove the bottom front casting.
- Remove the fire front casting by lifting it up and forward to release the locating screw heads at the back of the casting from the keyholes in the surround sides.
- The battery case is at the right side. Lift the plastic battery holder out of the metal case and detach the batteries. See figure 7.
- Replace the casting in the reverse order.

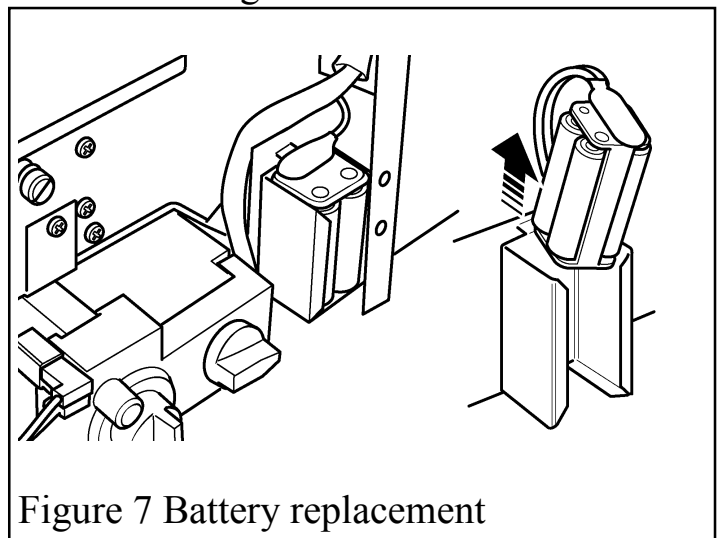


Figure 7 Battery replacement

OWNER'S GUIDE

Servicing

• If you require your fire to be serviced, please contact British Gas or Scottish Gas. **Telephone 0845 960 5040** and please quote the following details which can be found on the label tied below the burner and behind the bottom hearth casting.

- a) Model and GC number
- b) Appliance serial number

The following owner replaceable parts are available.
Please quote the part number when ordering.

Description	Part no.
Ceramic rear wall	0571789
Ceramic fuel bed	0571839
Window unit	0571849
Spring loaded thumb screw (for window)	0571899

When fitting replacement parts, follow the instructions contained in this guide. It is important that only approved parts are used for maximum safety.