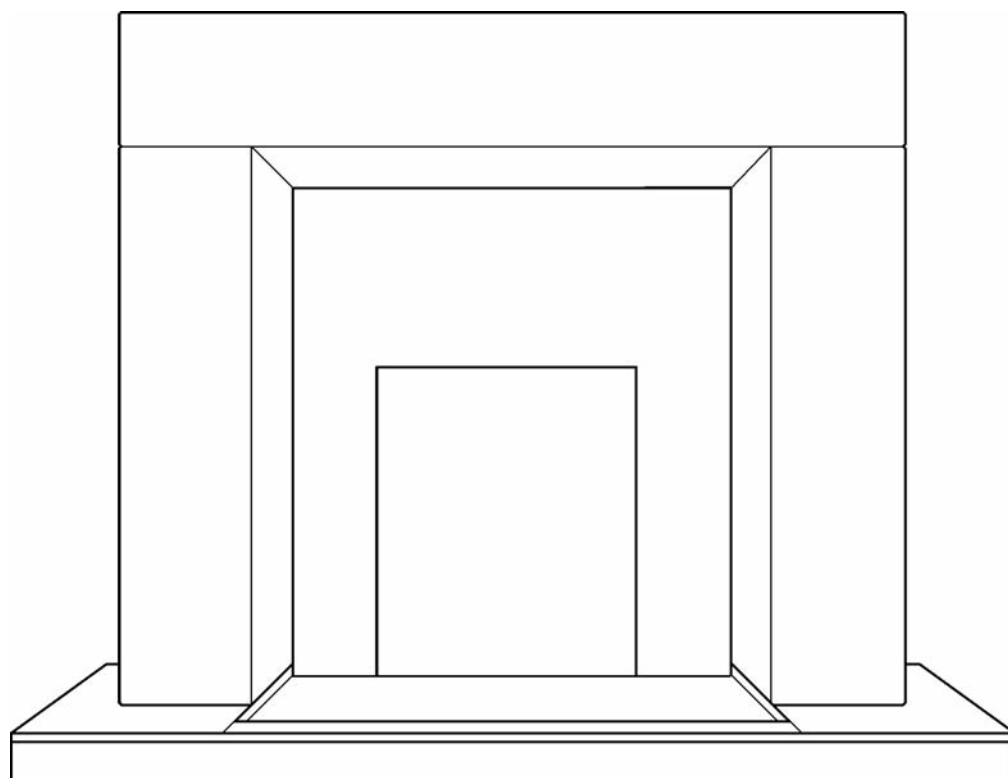


VALOR FIRES

INSTALLATION GUIDE

Utah

Surround and Hearth Set



This guide should be read in conjunction with the installer and owner guide supplied with the heater / fire.

This guide is intended to help you install your surround and hearth set. Please read carefully before installing. However, if further information is required, our **Valor Fires Technical Helpline** will be pleased to help.

Telephone **0844 8711 565** (National call rates apply in the United Kingdom)

In the Republic of Ireland call **0044 844 8711 565**.

Important: Please keep your guide in a safe place for future reference

INSTALLATION GUIDE

© Baxi Heating U.K. Limited 2008.

All rights reserved. No part of this publication may be reproduced in any material form (including photocopying), stored in any medium by electronic means (including in any retrieval system or database) or transmitted, in any form or by any means, whether electronic, mechanical, recording or otherwise, without the prior written permission of the copyright owner.

Applications for the copyright owner's permission to reproduce any part of this publication should be made, giving details of the proposed use, to the following address: The Company Secretary, Baxi Heating UK Limited, The Wyvern Business Park, Stanier Way, Derby, DE21 6BF.

Warning: Any person who does any unauthorised act in relation to a copyright work may be liable to criminal prosecution and civil claims for damages.

VALOR FIRES

Valor Fires, Erdington, Birmingham B24 9QP
www.firesandstoves.co.uk

Because our policy is one of constant development and improvement, details may vary slightly from those given in this publication

INSTALLATION GUIDE

SAFETY

- Always wear gloves when handling or drilling the laminate.
- When drilling into brick work or laminate always wear safety goggles, a dust mask, and always work in a well ventilated area.
- Keep children clear of work area especially when assembling the surround / mantle.
- Always read this guide in conjunction with the guides supplied with the heater / fire.
- Always tidy loose electrical leads in the work area.
- Always switch off electric power when not needed.
- The surround must always be fixed into position.

HANDLING AND UNPACKING

Before continuing any further with the installation of this surround and hearth please read the following:

Important instructions.

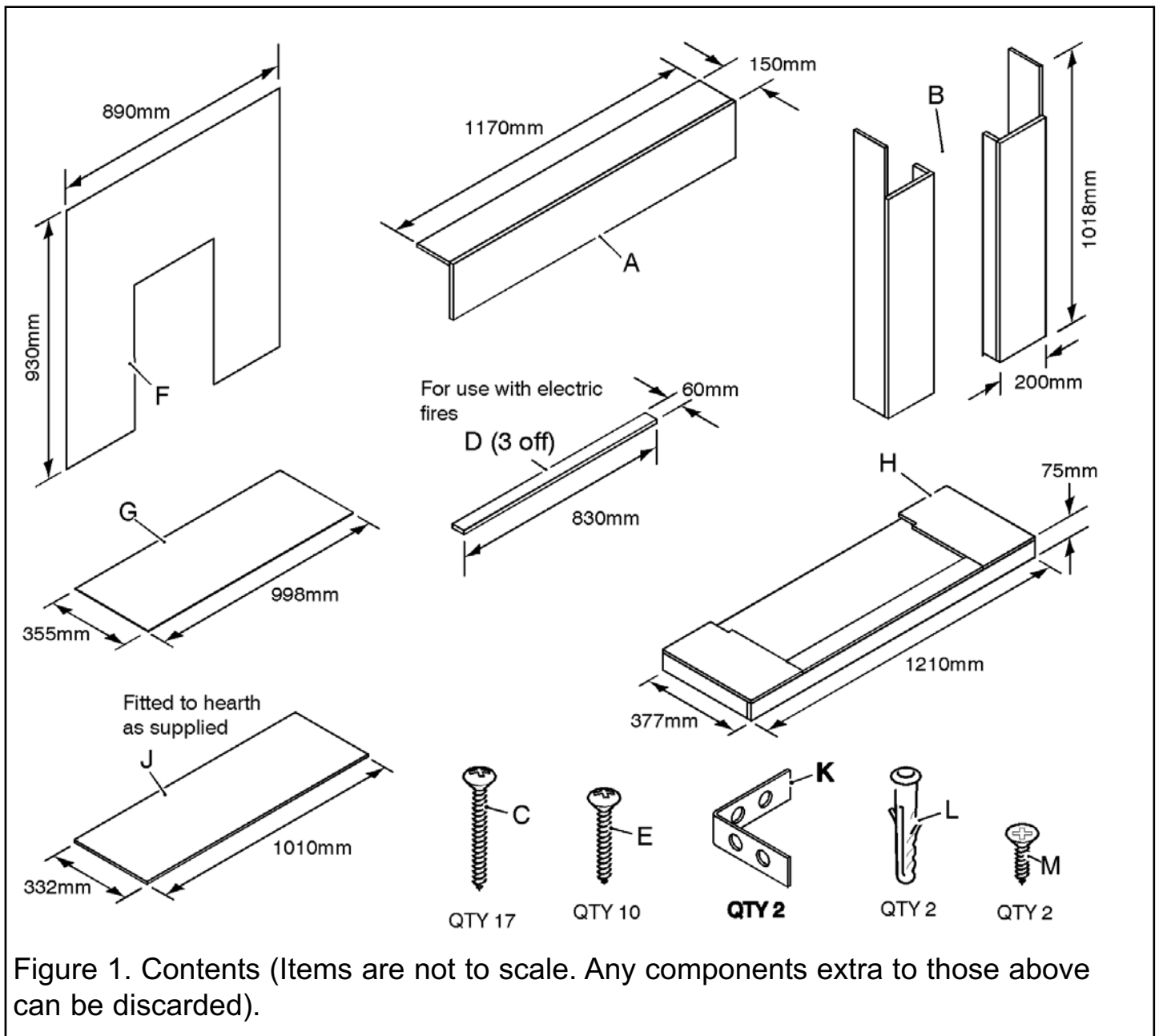
- The approximate lifting weights of the surround components are as below:

Side leg (As supplied)	4kg
Mantle top	5kg
Hearth assembly including heat resistant board	7kg
Rear laminate	2.5kg
Hearth laminate	1.5kg

- One person should be sufficient to lift the surround or hearth. If for any reason this weight is considered too heavy then obtain assistance.
- When lifting always keep your back straight. Bend your legs and not your back.
- Avoid twisting at the waist. It is better to reposition your feet.
- Avoid upper body / top heavy bending. Always bend from the knees rather than the waist. Do not lean forward or sideways whilst handling.
- Always grip with the palm of the hand. Do not use the tips of fingers for support.
- Always keep the surround or hearth as close to the body as possible. This will minimise the cantilever action.
- Use gloves to provide additional grip.
- Always use assistance if required.

INSTALLATION GUIDE

CONTENTS



FITTING THE SURROUND / MANTLE AND HEARTH

The installation of this surround and hearth requires a reasonable level of DIY skills. Please read this guide thoroughly before commencing installation and if in doubt, seek help from a competent person.

Do I need any tools?

You will need the following tools:

- A Pozidrive / Phillips / cross head screwdriver. This should have a number 2 size tip.

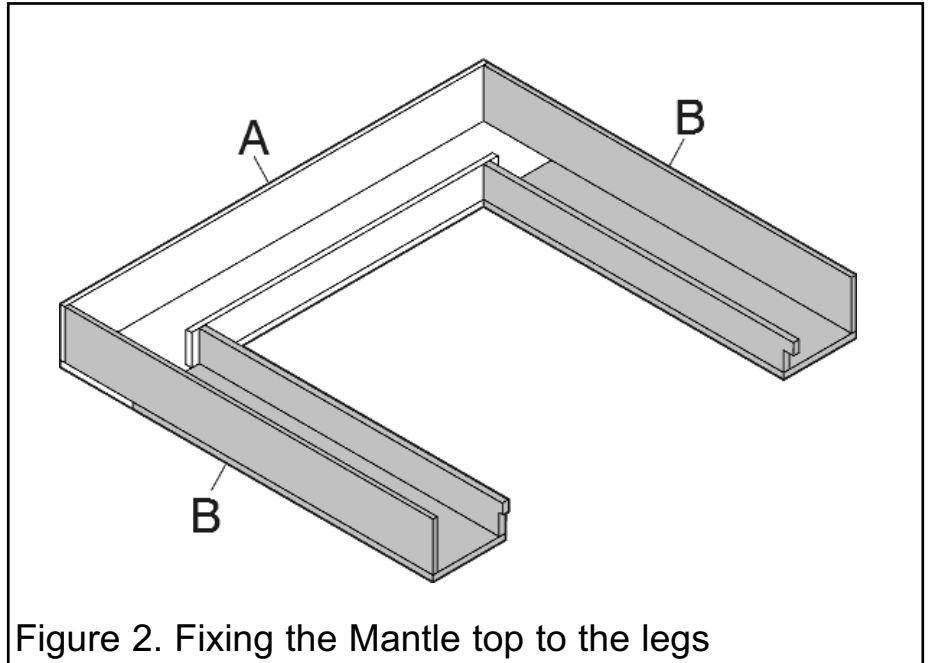
INSTALLATION GUIDE

- If drilling into brick work you will need a power drill (preferably with hammer action) and appropriate size drill bit for the wall plugs supplied.
- A 4mm drill bit.

How to assemble the Surround.

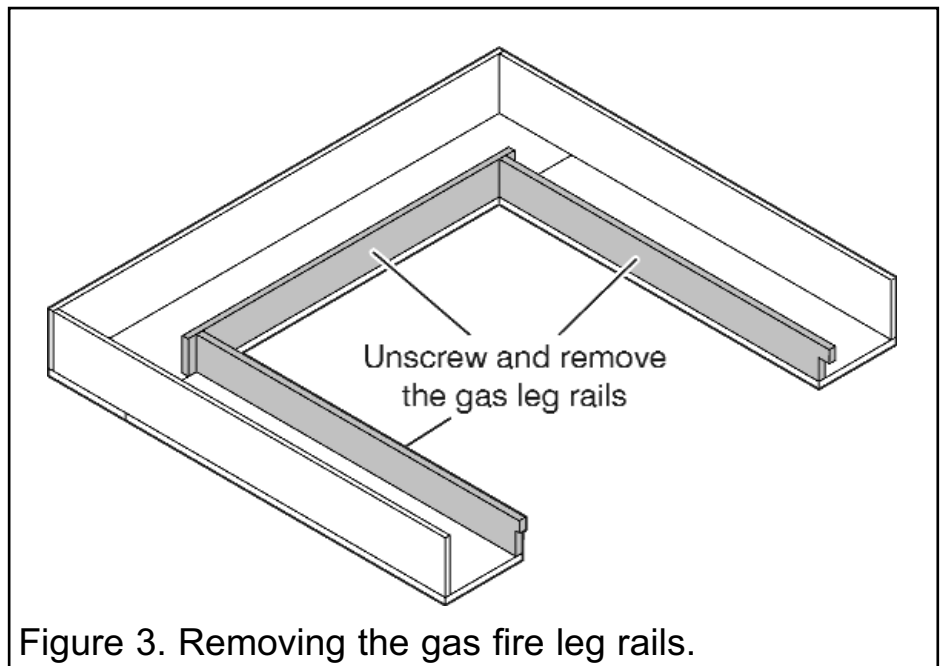
Step 1. Assembling the mantle.

- Take the mantle top (A) and locate it to legs (B) using 14 'C' screws (See figure 2). If the surround is to be used for electric heater installations then proceed to step 2. If the surround is to be used for gas fire installations then proceed to step 3.



Step 2. Changing the inner leg rails (For electric heater installations only).

- Unscrew and remove the gas leg rails from the assembly.



INSTALLATION GUIDE

- Take the electric heater leg rails (D) and locate them to the legs as in figure 4. The screws should be facing the inside of the legs. Secure in place using the screws from the gas rails. The upper electric rail will require one additional 'C' screw.

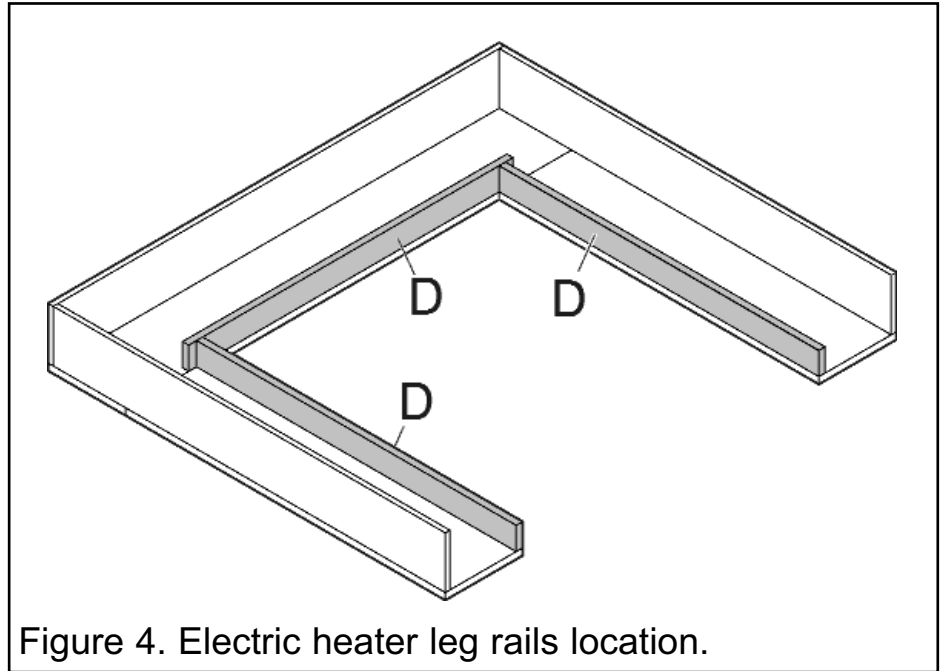


Figure 4. Electric heater leg rails location.

Step 3. Fixing the Rear Laminate.

- The rear laminate fixing holes will have to be drilled in the range of positions shown in figure 5 using a 4mm drill bit. We recommend using 10 (E) screws for strength.
- Decide which side of the laminate (F) will face forward and offer it to the rear of the assembled surround / mantle and position centrally.
- Screw the Laminate to the surround using 10 screws (E).

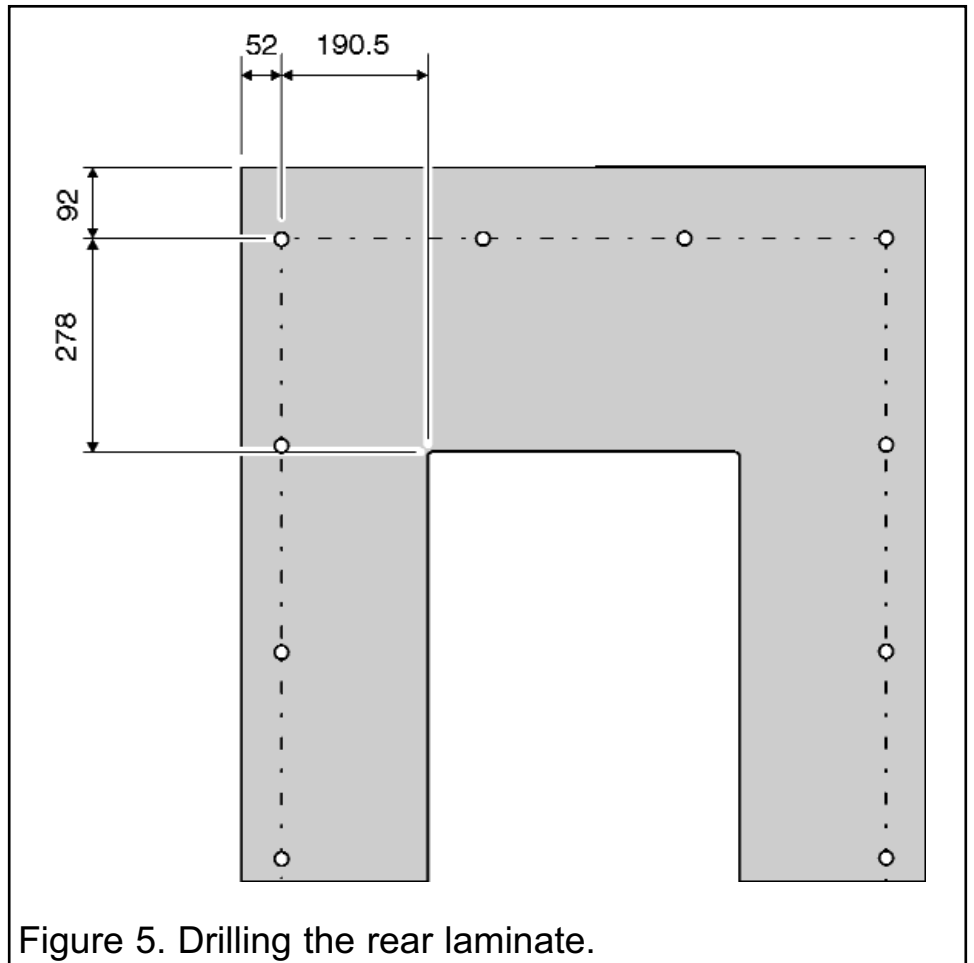


Figure 5. Drilling the rear laminate.

INSTALLATION GUIDE

Step 4. The Hearth (All installations).

- Decide which side of the Hearth Laminate (G) will be used. Slide the laminate, with the chosen side on top, into the slot at the rear of the hearth (H) and over the top of the heat resistant board (J), which should already be in place. Push it in so that the laminate goes into the slot at the front of the Hearth (See figure 6).

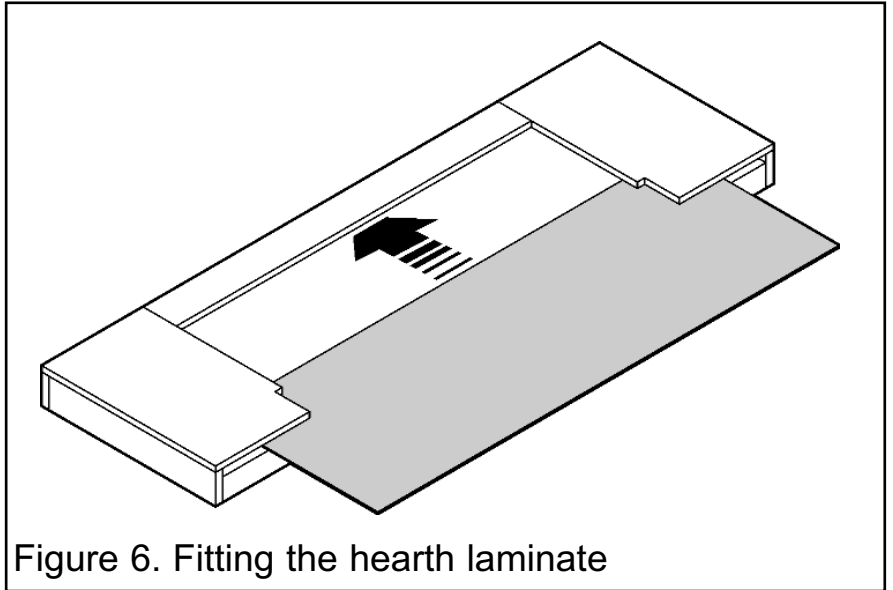


Figure 6. Fitting the hearth laminate

Step 5. Securing the Surround assembly.

- Place the wall fixing brackets (K) 80mm from the top outside edge of the legs as shown in figure 1. Secure in place using a screw (E) for each bracket.
- Position the hearth in place. Carefully move the surround assembly into place. Ensure that the surround is central to the hearth. Mark the positions of the bracket holes on the wall. Move the assembly aside and drill suitable sized holes. Insert the wall plugs (L). Place the surround assembly into position and secure using two screws (M).

Note: The wall plugs are only suitable for brick or block walls. For timber framed walls covered in plaster board we recommend the use of heavy duty cavity fixings.

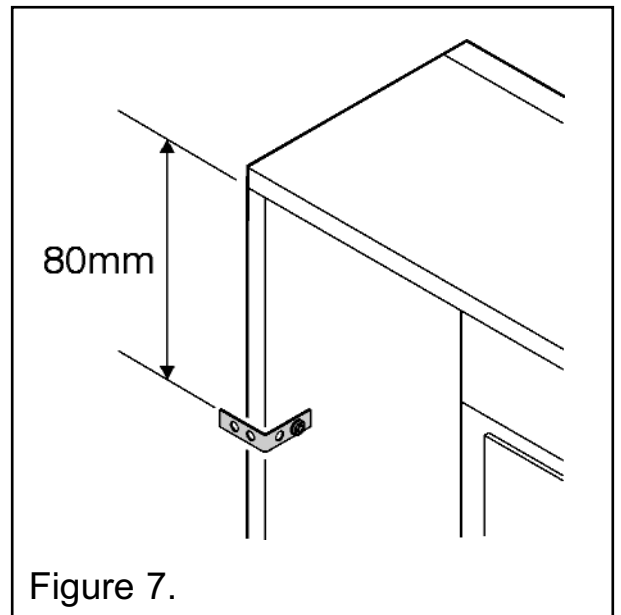


Figure 7.

Step 6. Surface Finish.

The surround is finished in natural wood veneer and can therefore be left untreated or finished using most proprietary wood finishes (Stain, Varnish, paint etc).

VALOR FIRES