

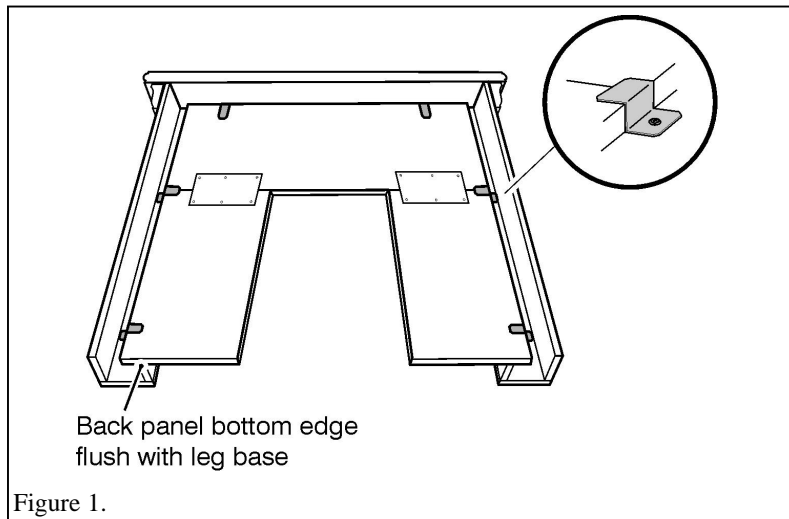
BAXI FIRES DIVISION

INSTALLATION GUIDE

Lightweight Marble Back Panel Brackets

The Aston suite is supplied with a lightweight marble back panel and hearth set. There are six back panel securing brackets and screws supplied with the suite.

- Assemble the surround and marble back panel as explained in the guides supplied with them.
- Place the surround face down on a flat clean surface. The floor surface can be covered to prevent damage to the front of the surround.
- Locate the marble back panel assembly centrally on the back of the surround. Ensure that the metal back of the marble is facing you. The bottom of the back panel assembly should be level with the bottom of the surround legs.
- Locate the brackets as in figure 1. Secure in place using the screws supplied with the brackets. **DO NOT** use longer screws as these may pierce the front of the surround causing damage.



BAXI FIRES DIVISION

INSTALLATION GUIDE

Lightweight Marble Back Panel Brackets

The Aston suite is supplied with a lightweight marble back panel and hearth set. There are six back panel securing brackets and screws supplied with the suite.

- Assemble the surround and marble back panel as explained in the guides supplied with them.
- Place the surround face down on a flat clean surface. The floor surface can be covered to prevent damage to the front of the surround.
- Locate the marble back panel assembly centrally on the back of the surround. Ensure that the metal back of the marble is facing you. The bottom of the back panel assembly should be level with the bottom of the surround legs.
- Locate the brackets as in figure 1. Secure in place using the screws supplied with the brackets. **DO NOT** use longer screws as these may pierce the front of the surround causing damage.

