

B A X I F I R E S D I V I S I O N

INSTALLER AND OWNER GUIDE

Model 804 Mirage

Electric Heater.

This guide is intended for use when installing the heater into the KATRINA surround.



This guide is intended to help you install and care for your Baxi Fires Division electric heater. Please read carefully before installing and using your heater. However, if further information is required, our **Baxi Fires Division Technical Helpline** will be pleased to help.

Telephone **08706 061 065** (National call rates apply in the United Kingdom)

In the Republic of Ireland call **0044 8706 061 065**

Important: Please keep your guide in a safe place for future reference

INSTALLER AND OWNER GUIDE

© Baxi Heating U.K. Limited 2006.

All rights reserved. No part of this publication may be reproduced in any material form (including photocopying), stored in any medium by electronic means (including in any retrieval system or database) or transmitted, in any form or by any means, whether electronic, mechanical, recording or otherwise, without the prior written permission of the copyright owner.

Applications for the copyright owner's permission to reproduce any part of this publication should be made, giving details of the proposed use, to the following address: The Company Secretary, Baxi Heating UK Limited, Pentagon House, Sir Frank Whittle Road, Derby, DE21 4XA.

Warning: Any person who does any unauthorised act in relation to a copyright work may be liable to criminal prosecution and civil claims for damages.

CUSTOMER CARE

Thank you for choosing Baxi Fires Division

All Baxi Fires Division heaters are designed to meet the most stringent quality, performance and safety requirements to provide our customers with many years of trouble free service. This guide aims to improve your understanding and appreciation of your new Baxi Fires Division heater, by providing simple and informative instructions to enable you to install it and to ensure that you benefit from the excellent performance and features it has to offer.

If you require further assistance, the **Baxi Fires Division Technical Helpline** will be pleased to help.

Please telephone **08706 061 065** (local rates apply in the United Kingdom). In the Republic of Ireland please telephone **0044 8706 061 065**.

B A X I F I R E S D I V I S I O N

FOR OTHER USEFUL TELEPHONE NUMBERS SEE PAGE 11 OF THIS GUIDE.

Baxi Fires Division, Erdington, Birmingham B24 9QP

www.firesandstoves.co.uk

Because our policy is one of constant development and improvement, details may vary slightly from those given in this publication

INSTALLER AND OWNER GUIDE

Safety First.

Baxi Fires Division heaters are CE Approved and designed to meet the appropriate British Standards and Safety Marks.



Quality and Excellence.

All Baxi Fires Division heaters are manufactured to the highest standards of quality and excellence and are manufactured under a BS EN ISO 9001 quality system accepted by the British Standards Institute.



HANDLING AND UNPACKING

Before continuing any further with the installation of this heater please read the following:

Important instructions.

- The lifting weight of the heater is as below:

<u>Model</u>	<u>Heater Body (kg)</u>	<u>Fascia (kg)</u>	<u>Spacer (kg)</u>	<u>Total (kg)</u>
Mirage	5.3 kg.	3.60 kg.	0.66 kg.	9.56kg.

- One person should be sufficient to lift the heater. If for any reason this weight is considered too heavy then obtain assistance.
- When lifting always keep your back straight. Bend your legs and not your back.
- Avoid twisting at the waist. It is better to reposition your feet.
- Avoid upper body / top heavy bending. Always bend from the knees rather than the waist. Do not lean forward or sideways whilst handling the heater.
- Always grip with the palm of the hand. Do not use the tips of fingers for support.
- Always keep the heater as close to the body as possible. This will minimise the cantilever action.
- Use gloves to provide additional grip.
- Always use assistance if required.

INSTALLER AND OWNER GUIDE

SAFETY

Always

- **Always** install the heater in accordance with this guide. If in doubt obtain expert advice.
- **Always** make sure the electrical socket is accessible and located adjacent to, but not above or behind the heater.
- **Always** disconnect the heater from the electrical supply before carrying out cleaning, maintenance or replacing the light bulb.
- **Always** make sure the heater is firmly secured to prevent it from being tipped over.
- **Always** use a fireguard when young children and infirm persons can come into contact with the heater.
- **Always** use genuine Baxi Fires Division spares.

Never

- **Never** leave children unsupervised in a room where the heater is ON and unguarded.
- **Never** obstruct or cover the fan outlet or force items into heater openings.
- **Never** install or use the heater anywhere where water is in use, i.e. Bathrooms, Kitchens, Shower Rooms, Swimming Pools etc.
- **Never** use aerosols or steam cleaners on or around the heater.
- **Never** route the electric cable under carpet etc.
- **Never** install the heater close to curtains or combustible materials.
- **Never** use the heater to dry clothes etc.
- **Never** sit or stand on the heater.

INSTALLER AND OWNER GUIDE

FITTING THE HEATER

The installation of this heater requires a reasonable level of DIY skills. Please read this guide thoroughly before commencing installation and if in doubt, seek help from a competent person

Do I need any tools?

You will need a **Pozidrive / Phillips / cross head** screwdriver. This should have a number 2 size tip.

Important Electrical Safety

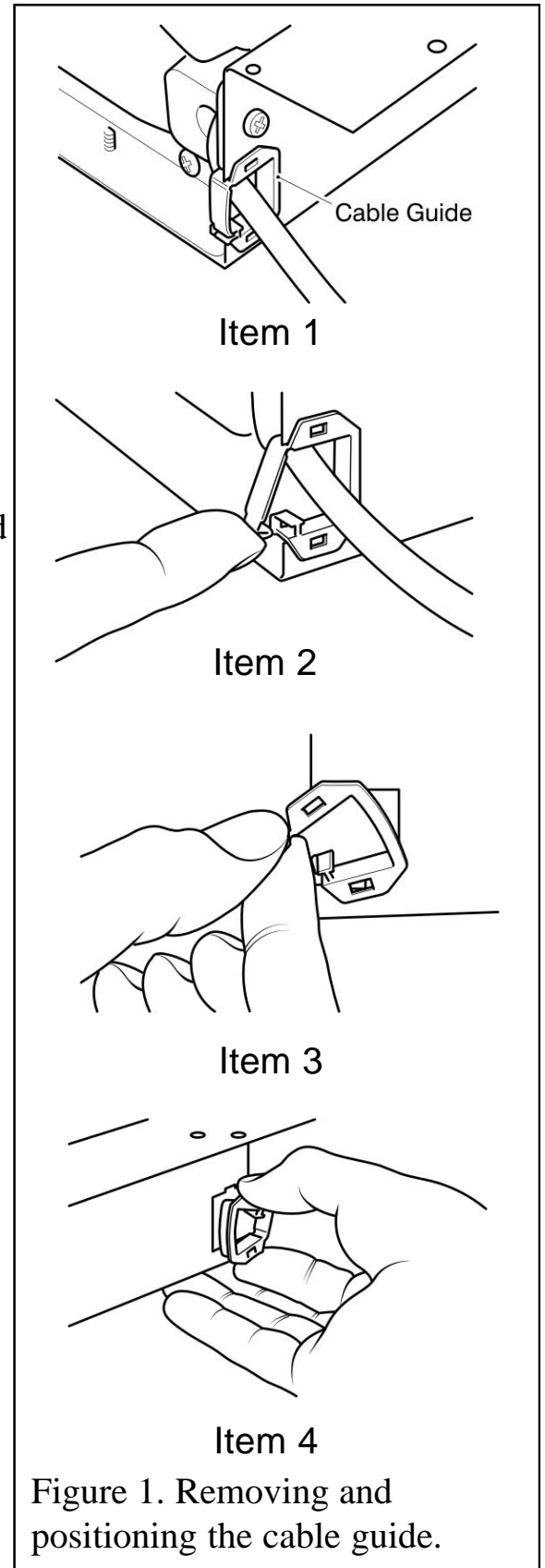
The heater must **not** be located in front of or under an electrical socket, the socket must always be accessible in order to disconnect the heater from the electrical supply for maintenance and cleaning.

Important! This heater must be earthed.

- The heater is supplied with a 3 pin 13 Amp fused re-wireable plug with 1mm² 3 core cable.
- The wires in the cable are coloured in accordance with the following code: -
 - Live = Brown
 - Neutral = Blue
 - Earth = Green /Yellow
- The electric supply must be safely routed from the heater to an electrical socket.

Moving the Cable Guide

At the base of the heater you will find the electric cable which runs through a rectangular plastic cable guide. The cable guide is fitted into the rectangular slot on the right side of the heater. If required this can be moved and put in the rectangular slot in the centre or left hand side of the heater. For removal and fitting please see below.



INSTALLER AND OWNER GUIDE

Removing the cable guide

1. Before moving the cable guide please note that the lip of the cable guide is on the outer edge of the base (See figure 1- Item 1).
2. To remove the cable guide push and lift the tab on the bottom of it and the cable guide will open (See figure 1- Item 2).
3. Lift the electric cable clear of the cable guide.
4. Hold the bottom of the cable guide close to the heater then gently pull the cable guide away from the rectangular slot (See figure 1- Item 3).

Fitting the cable guide.

When fitting the cable guide please remember that the lip of the cable guide has to be fitted against the outer face of the base (See figure 1- Item 1).

1. Gently pinch the sides of the cable guide (See figure 1 - Item 4) and push into the desired rectangular slot.
2. Place the electrical cable into the guide and close the top.

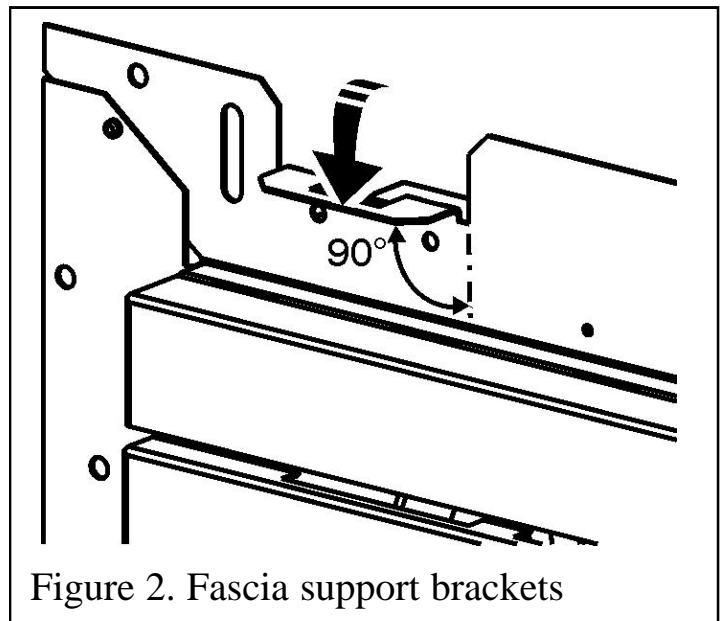
If the electric cable is damaged, to avoid a hazard it must be replaced by a Baxi Fires Division authorised service agent, or similarly qualified person (See page 11) All external wiring between the heater and the electrical supply shall comply with current IEE regulations.

Fascia support brackets.

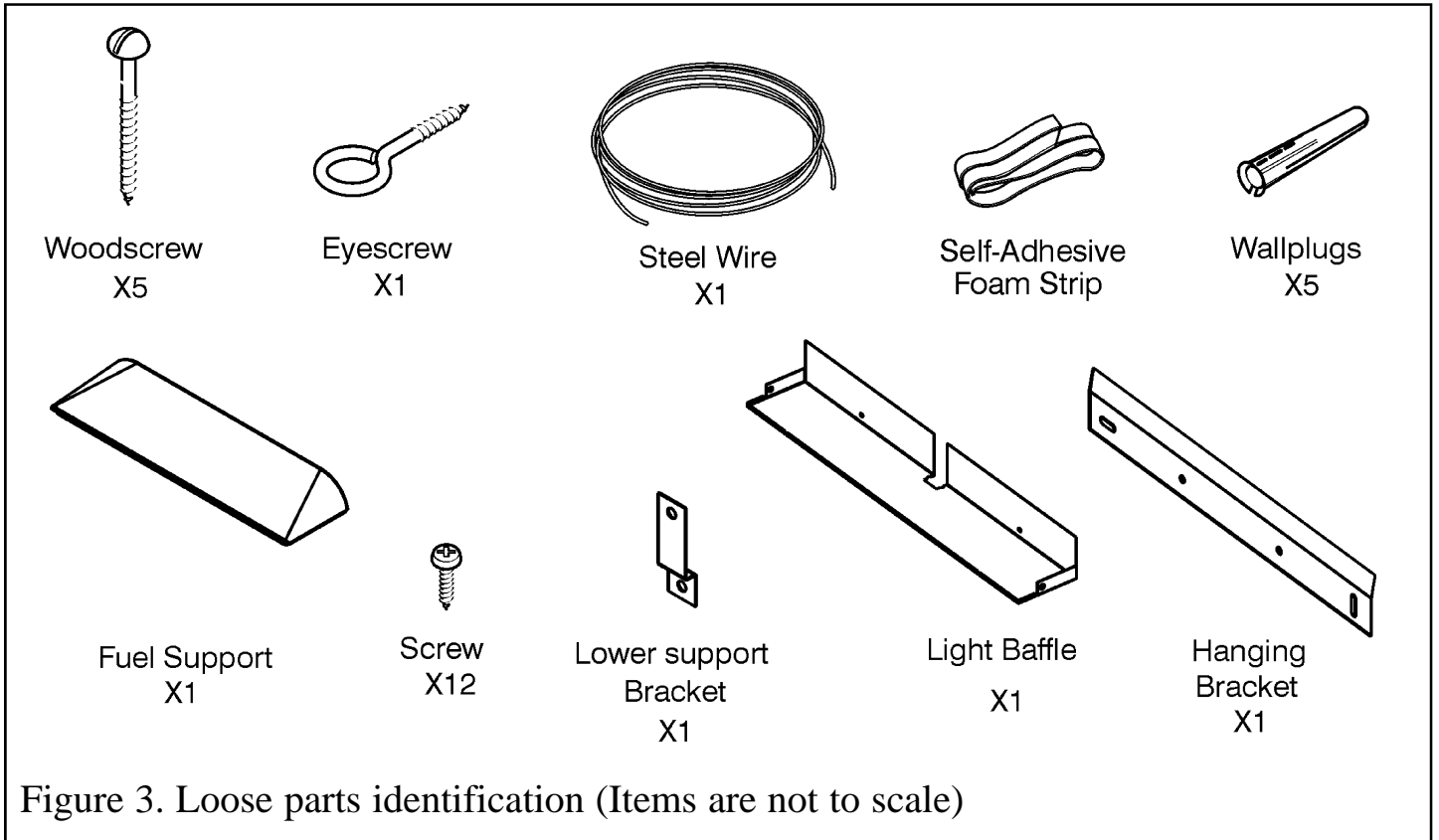
As supplied the fascia support brackets may be flat against the heater body. Using a suitable tool or gloved hand bend the brackets as in figure 2.

Heater Fixing.

All of the fixings and loose parts supplied with the heater have been identified as in figure 3.



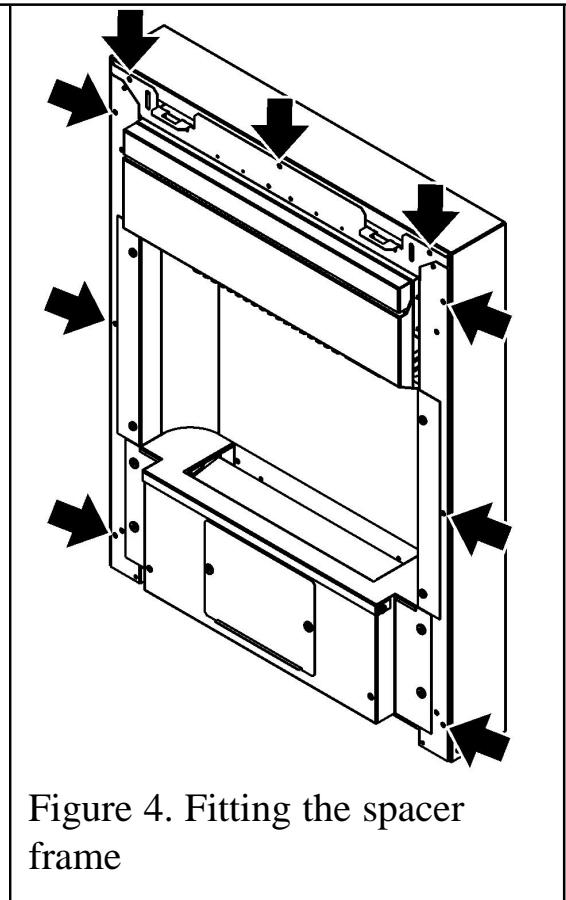
INSTALLER AND OWNER GUIDE



The heater must always be fixed into position to prevent it from being tipped over

Preparing the heater for installation.

The spacer frame will need to be fitted to the heater at this point using the nine black screws provided (See figure 4).

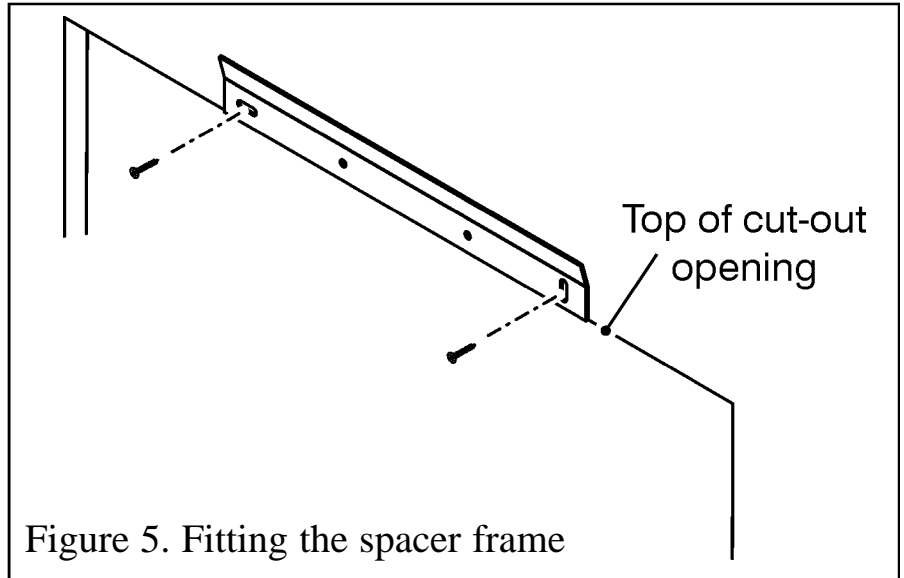


INSTALLER AND OWNER GUIDE

Fitting the heater.

1. The heater is supplied with a hanging bracket. Locate the bracket to the top of the cut-out opening in the surround back panel as in figure 5. The bottom of the bracket should be level with the cut-out. Secure in place using the two screws supplied with the suite.

2. Hang the heater / back of the spacer frame on the hanging bracket. There is a electric cable slot on both sides of the spacer frame. Pass the electric cable through the required slot.



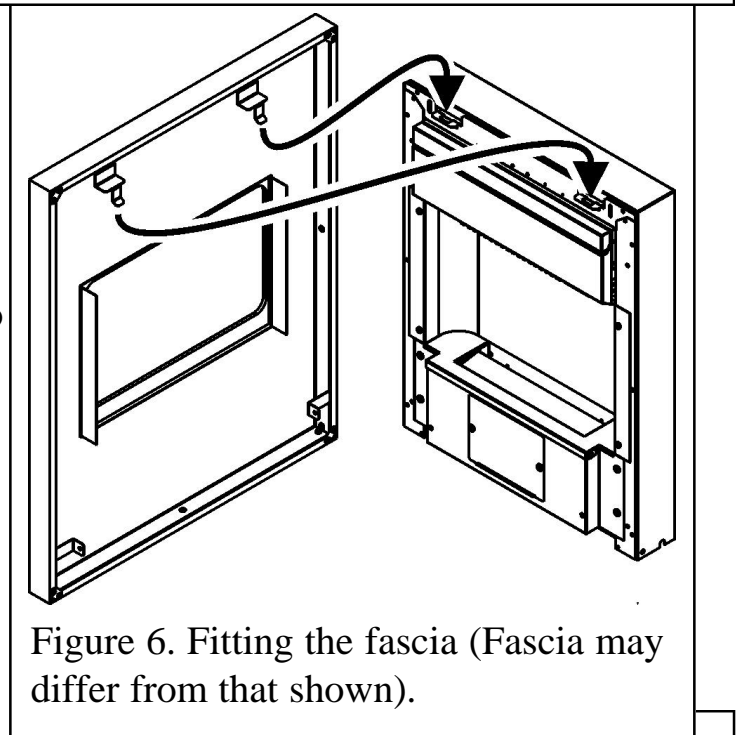
Fitting the fascia.

1. There are two hooked brackets on the top rear of the fascia. Locate the hooks into the brackets at the top of the heater (See figure 6).

2. The fascia is secured using the two screws with bright metal finish. These are located as in figure 7.

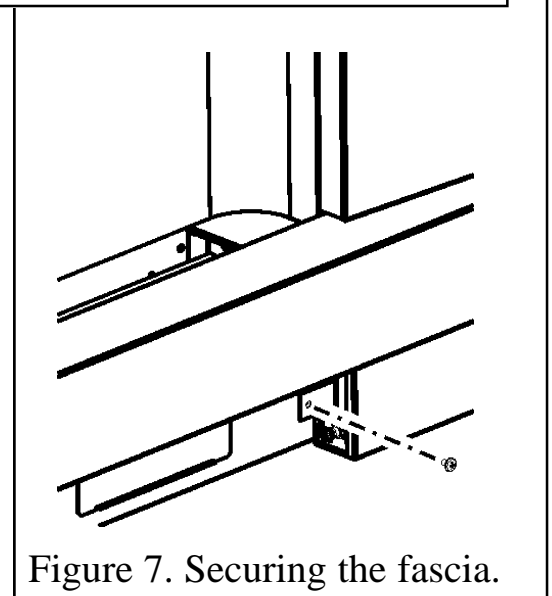
3. Locate the fuel support as in figure 8.

4. Place the loose pebbles onto the fuel support. It is not necessary to use all the pebbles supplied.



Important Note:

The pebbles are for decorative purposes only. There is a choke risk to young children. Make sure they cannot gain access to them.



INSTALLER AND OWNER GUIDE

5. The lower section of the fascia is secured with magnets. Locate it as in figure 9. The bottom of the lower section should sit on the tags as shown.

6. Supplied in the fascia pack is a canopy trim. Hang this at the top of the fascia (See figure 10).

7. Supplied in the fascia pack is a three bar trim. Hang this at the bottom of the fascia (See figure 11).

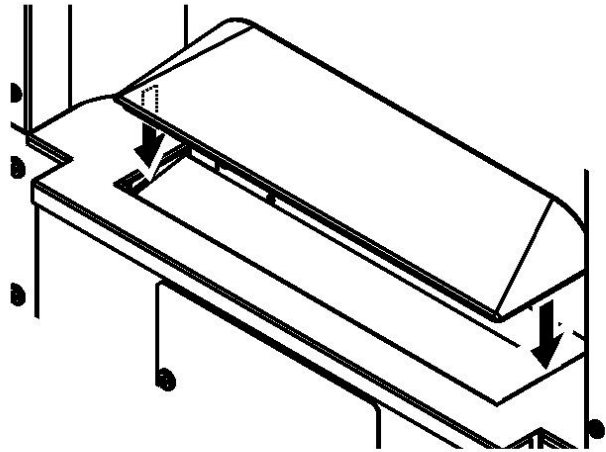


Figure 8. Fitting the fuel support.

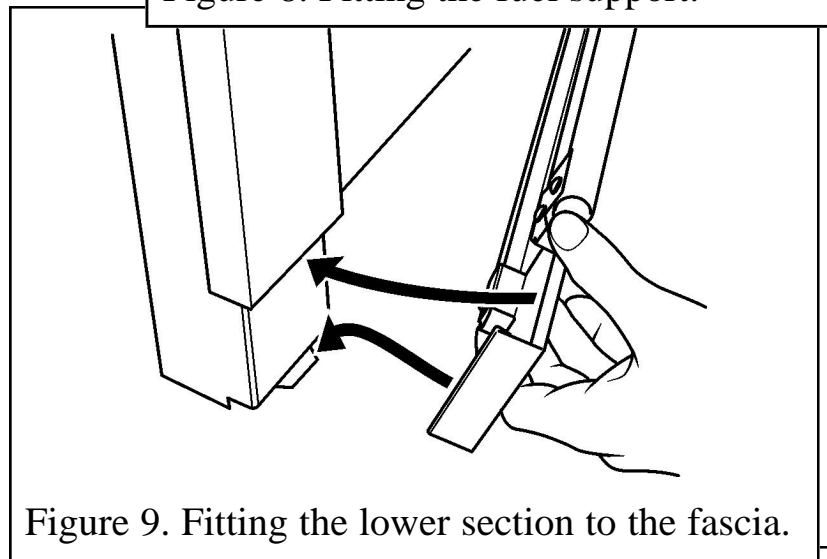


Figure 9. Fitting the lower section to the fascia.

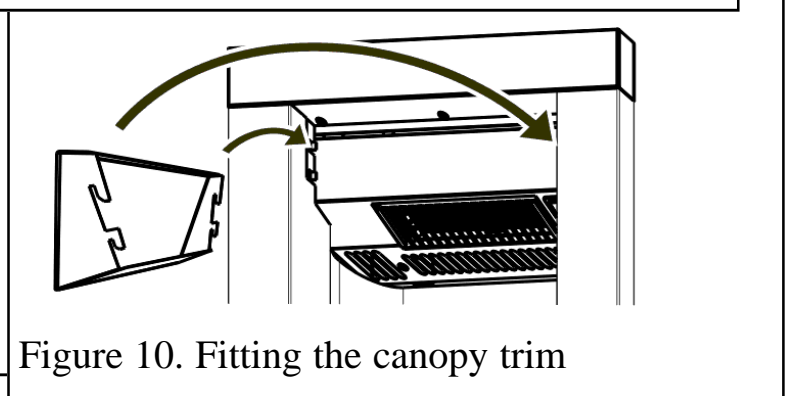


Figure 10. Fitting the canopy trim

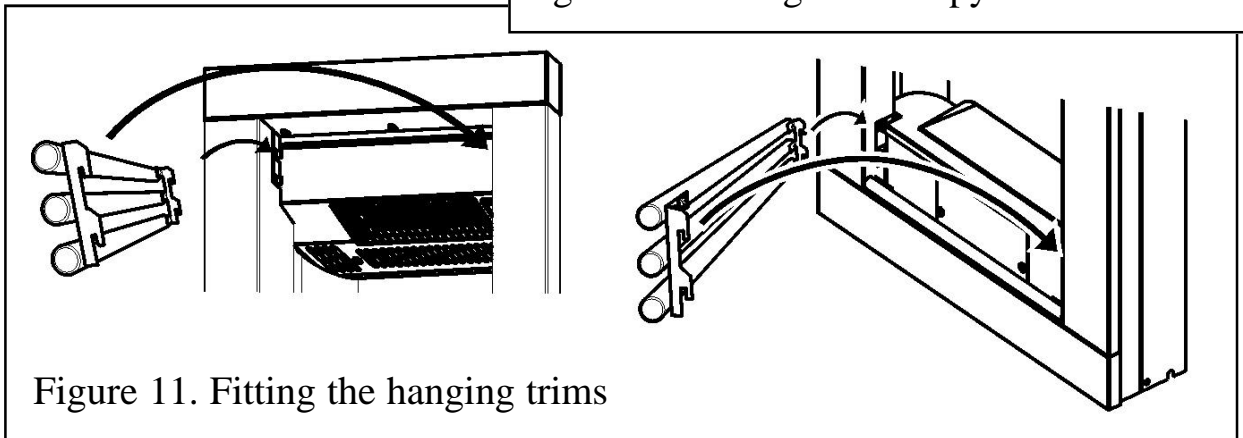


Figure 11. Fitting the hanging trims

INSTALLER AND OWNER GUIDE

USING THE HEATER

Important Safety

Never cover the heater or obstruct the openings at the base of the heater, this could cause overheating and consequent risk of fire.

What are the three switches for?

The heater is operated by three switches located below the hood on the left hand side of the heater.

Switch 1 =  Main On - Off

In the On position only the fuel effect operates

Switch 2 =  1kW fan heat setting and fuel effect

Switch 3 =  2kW fan heat setting and fuel effect

The switches are mechanically interlocked, so when switch 1 is turned off, all switches turn off.

CLEANING AND MAINTAINING THE HEATER

How do I Clean my heater?

The heater fascia, spacer frame and glass parts need only to be wiped clean with a dry soft cloth, do not use polishes or abrasive materials.

I have a problem with my heater!

Important Safety

Before undertaking maintenance or replacing the light bulb(s) always disconnect the heater from the electricity supply by removing the 3 pin plug and allowing the heater to cool.

1. My heater is on but there is no light / low light.

This is possibly a light bulb failure. Remove the light bulb as below and check it in a table lamp that is known to work. If it does not work in the table lamp then replace it as below.

The light bulb fitted to this heater is a B22 100Watt, 240Volt, triple life, Bayonet fitting with a clear finish. Due to the indeterminate life span and ease of replacement, it is specifically excluded from the guarantee.

INSTALLER AND OWNER GUIDE

To replace the light bulb.

1. To gain access to the light bulb, remove the loose pebbles from the fuel support.
2. Remove the fascia in the reverse order to that shown on pages 8 & 9.
3. Remove the lower cover plate from the front of the heat engine. To do this remove the two screws (See figure 12).
4. Replace the light bulb with a B22 100Watt, 240Volt, triple life, Bayonet fitting type bulb with a clear finish .
5. Fit the fascia (See pages 8 & 9).
6. Place the pebbles back on top of the fuel support.

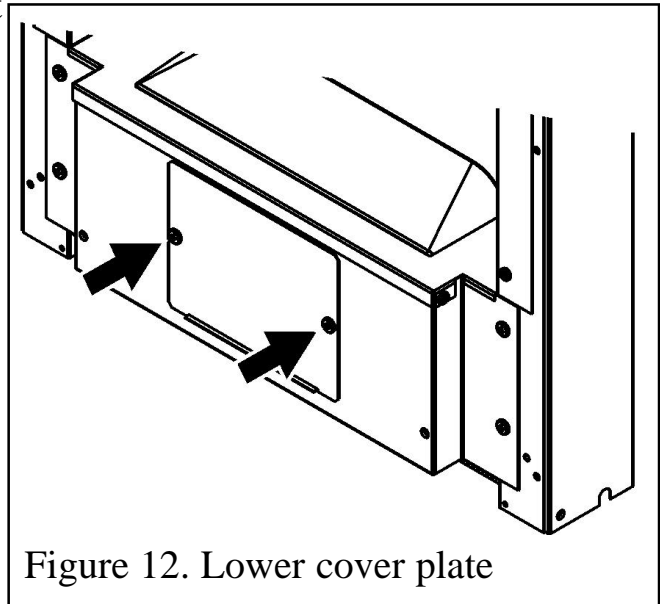


Figure 12. Lower cover plate

2. My heater is on but there is no light or heat.

The first thing to do is check the wall socket. To do this plug in a known working appliance. If the appliance you have plugged in works then there is a good chance that the problem lies with the 13Amp fuse in the heater plug. If either fuse or socket is suspected, have them checked by an electrician.

3. My heater is on but there is no heat.

A cut out device is fitted to the heater to prevent damage due to over heating. If it operates due to an obstruction in the airflow, the heater must be turned off and allowed to cool for 15 minutes and the obstruction removed before restarting.

4. I Have a problem that is different to those in the previous examples 1- 3.

Below is a list of Useful Telephone numbers

For general advice about your heater:

BAXI FIRES DIVISION TECHNICAL HELPLINE 08706 061 065.

To report faults or arrange for your heater to be serviced:

BAXI FIRES DIVISION SERVICE 08706 090 081.

For sales or product information:

BAXI FIRES DIVISION SALES 08706 061 067.

CALLERS IN THE REPUBLIC OF IRELAND

Call **0044 8706 061 065**

INSTALLER AND OWNER GUIDE

For spares inquiries

Spare parts are available nationwide via the ‘interpart stockist network’. For your local stockist consult Yellow pages under ‘Central Heating’.

When ordering spare parts please have the below information available. This will help us to deal with your call quicker and avoid you having to make a second call.

- Your Post Code
- Type of Heater (Electric or gas)
- The fault, problem or request.
- Model, Name and serial number (This information can be found on a small label on the lower left of the heater next to the cover plate. To see this you may have to remove the fascia).

What should I do when I’m ready to dispose of my heater?

The plug should be removed from the mains cable and the mains cable cut from the heater. These should be disposed of with the heater.

Environmental Protection.



Waste electrical products should not be disposed of with household waste. Please recycle where facilities exist. Check with your local authority or retailer for recycling advice.