

# Baxi Solo 2 PF

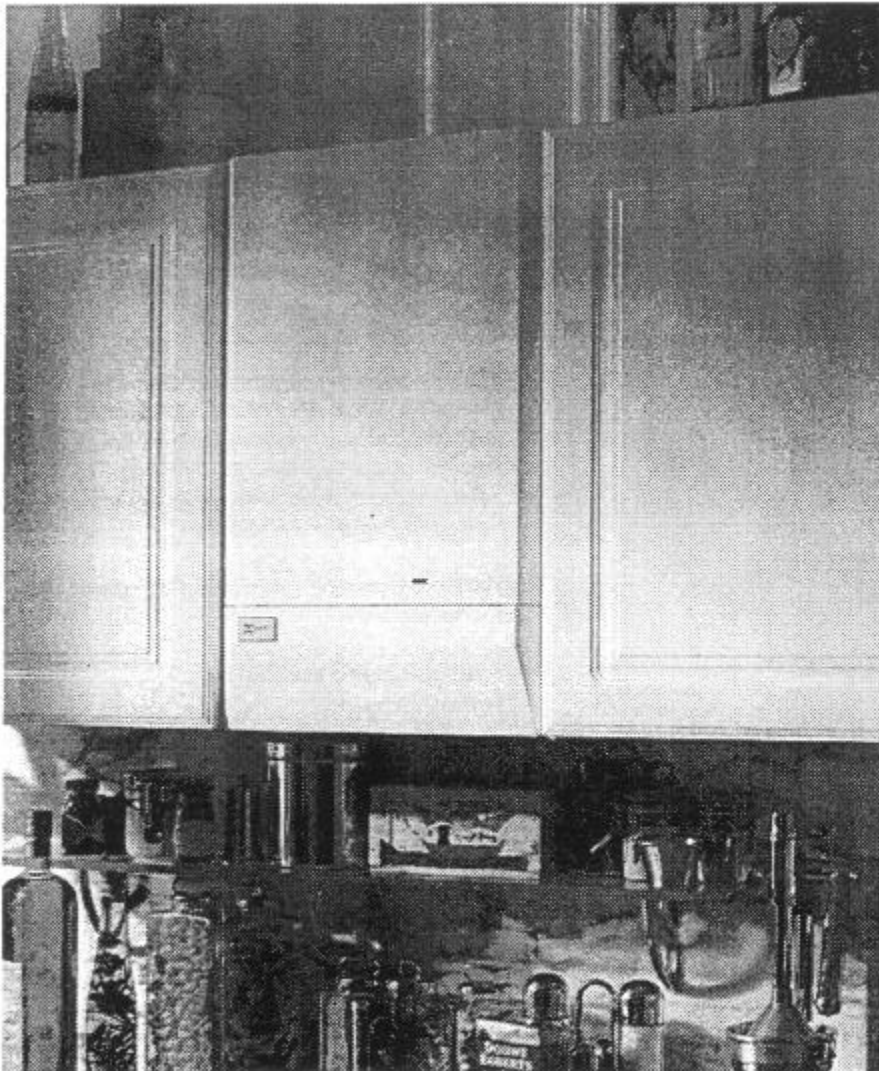
Please leave these instructions with the user.

## Wall Mounted Powered Flue Gas Fired Central Heating Unit

Comp N° 230988 - Iss 22 - 11/98

---

### Installation and Servicing Instructions



**BAXI**  
**HEATING**

---

**Natural Gas**

---

**Baxi Solo 2 30 PF**

G.C. N° 41 077 71

**Baxi Solo 2 40 PF**

G.C. N° 41 077 72

**Baxi Solo 2 50 PF**

G.C. N° 41 077 73

**Baxi Solo 2 60 PF**

G.C. N° 41 077 74

**Baxi Solo 2 70 PF**

G.C. N° 41 075 01

**Baxi Solo 2 80 PF**

G.C. N° 41 077 75

Baxi Limited is one of the leading manufacturers of domestic heating products in the UK.

Our first priority is to give a high quality service to our customers. Quality is built into every Baxi product -products which fulfil the demands and needs of customers, offering choice, efficiency and reliability.

To keep ahead of changing trends, we have made a commitment to develop new ideas using the latest technology - with the aim of continuing to make the products that customers want to buy.

Baxi is also the largest manufacturing partnership in the country. Everyone who works at the company has a commitment to quality because, as shareholders, we know that satisfied customers mean continued success.

We hope you get a satisfactory service from Baxi. If not, please let us know.

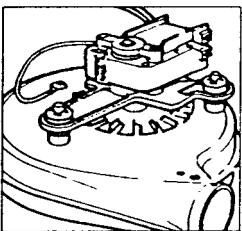
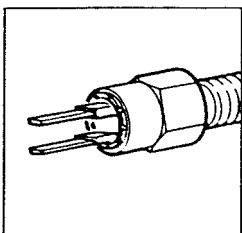
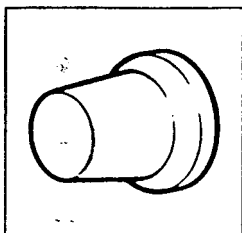


Baxi is a BS-EN ISO 9001 Accredited Company

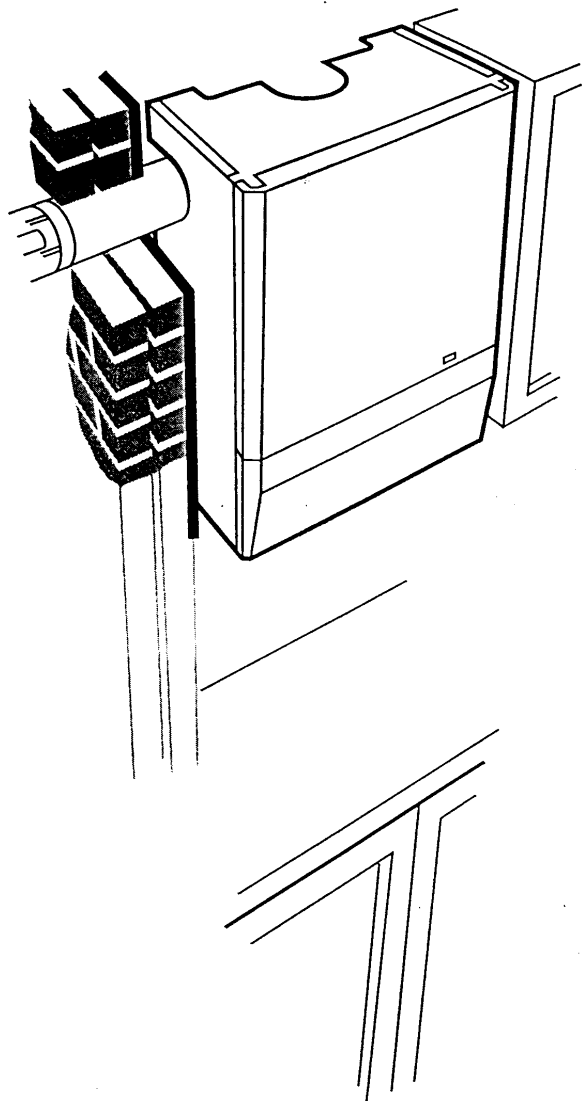
The boiler meets requirements of Statutory Instrument "The Boiler (Efficiency) Regulations 1993 N° 3083" and is deemed to meet the requirements of Directive 92/42/EEC on the efficiency requirements for new hot water boilers fired with liquid or gaseous fuels:-

Type test for purpose of Regulation 5 certified by:  
Notified Body 0086.

Product/Production certified by:  
Notified Body 0086.



<b>Section</b>		<b>Page</b>
1.0	<b>Introduction</b>	4
2.0	<b>Technical Data</b>	5
3.0	<b>System Details</b>	7
4.0	<b>Site Requirements</b>	10
5.0	<b>Installation</b>	13
6.0	<b>Commissioning the Appliance</b>	31
7.0	<b>Fitting the Outercase</b>	33
8.0	<b>Overhead Cut-Off device</b>	34
9.0	<b>Annual Servicing</b>	35
10.0	<b>Changing Components</b>	37
11.0	<b>Short Parts List</b>	41
12.0	<b>Fault Finding</b>	42



**B.S. Codes of Practice**

<u>STANDARD</u>	<u>SCOPE</u>
B S. 6891	Gas Installation
B S. 5546	Installation of hot water supplies for domestic purposes
B S. 5449	Forced circulation hot water systems
B S. 6798	Installation of gas fired hot water boilers
B S. 5440: Pt 1	Flues
B S. 5440: Pt 2	Ventilation

**1.1 Description**

1. The Baxi Solo 2 PF is a gas fired room sealed fan assisted central heating boiler with range rated outputs as shown in the table below

Model	HEAT OUTPUT	
	Min	Max
30	5.86kW (20,000 Btu/h)	8.79kW (30,000 Btu/h)
40	9.09kW (31,000 Btu/h)	11.72kW (40,000 Btu/h)
50	12.02kW (41,000 Btu/h)	14.65kW (50,000 Btu/h)
60	14.95kW (51,000 Btu/h)	17.58kW (60,000 Btu/h)
70	17.88kW (61,000 Btu/h)	20.5kW (70,000 Btu/h)
80	20.8kW (71,000 Btu/h)	23.45kW (80,000 Btu/h)

2. Each appliance is preset at a MID RANGE heat input rating and is designed for use on **NATURAL GAS** only.
3. All boilers are suitable for fully pumped open vented central heating and domestic hot water systems and sealed systems.
4. The appliance data badge is fitted to the combustion box door.

**1.2 Installation**

1. The appliance is suitable for installation only in G.B. and I.E. and should be installed in accordance with the rules in force. For Ireland install in accordance with I.S.813 "**INSTALLATION OF GAS APPLIANCES**". The installation must be carried out by a CORGI Registered Installer or other competent person and be in accordance with the relevant requirements of **GAS SAFETY** (Installation and Use) **REGULATIONS**, the **BUILDING REGULATIONS** (Scotland) (Consolidation), the **LOCAL BUILDING REGULATIONS**, the **CURRENT I.E.E. WIRING REGULATIONS** and the bye laws of the Local Water Undertaking. WHERE no specific instructions are given, reference should be made to the relevant **BRITISH STANDARD CODES OF PRACTICE**.

2. **All systems must be thoroughly flushed and treated with inhibitor (see Section 3.1).**

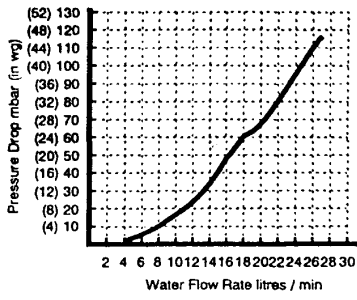
**1.3 Important Information**

This product contains Refractory Ceramic Fibres (R.C.F.) which are man-made vitreous silicate fibres. Excessive exposure to these materials may cause temporary irritation to eyes, skin and respiratory tract. Care must be taken when handling these articles to ensure the release of dust or fibres is kept to a minimum. To ensure that the release of fibres from these articles is kept to a minimum, during installation and servicing it is recommended that a H.E.P.A. filtered vacuum is used to remove any dust, soot or other debris accumulated in and around the appliance. This should be performed before and after working on the installation. It is recommended that any replaced item(s) are not broken up but sealed within heavy duty polythene bags and clearly labelled 'R.C.F. waste'. This is not classified as "hazardous waste" and may be disposed of at a tipping site licensed for the disposal of industrial waste. Protective clothing is not required when handling these articles but it is recommended that gloves are worn and the normal hygiene rules of not smoking, eating or drinking in the work area are followed and always wash hands before eating or drinking.

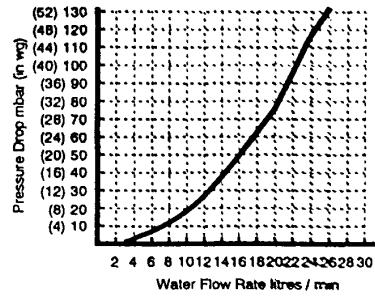
## 2.0 Technical Data – Page 5

Model		30	40	50	60	70	80
Heat Output (Max)	kW	8.9	11.72	14.65	17.58	20.5	23.45
	Btu/h	30,000	40,000	50,000	60,000	70,000	80,000
Heat Output (Min)	kW	5.86	9.09	12.02	14.95	17.88	20.8
	Btu/h	20,000	31,000	41,000	51,000	61,000	71,000
Heat Input (Max)	kW	10.99	14.65	18.32	21.98	25.64	29.31
	Btu/h	37,500	50,000	62,500	75,000	87,500	100,000
Heat Input (Min)	kW	7.33	11.36	15.02	18.68	22.35	26.01
	Btu/h	25,000	38,750	51,250	63,750	76,250	88,750
Burner Pressure (Max)	mbar	16.0 ± 0.5	16.0 ± 0.5	16.0 ± 0.5	16.0 ± 0.5	16.0 ± 0.5	16.0 ± 0.5
	in wg	6.4 ± 0.2	6.4 ± 0.2	6.4 ± 0.2	6.4 ± 0.2	6.4 ± 0.2	6.4 ± 0.2
Burner Pressure (Min)	mbar	8.0 ± 0.5	10.0 ± 0.5	11.5 ± 0.5	11.5 ± 0.5	12.1 ± 0.5	11.5 ± 0.5
	in wg	3.2 ± 0.2	4.0 ± 0.2	4.4 ± 0.2	4.4 ± 0.2	4.8 ± 0.2	4.4 ± 0.2
Gas Rate	CV 38MJm <sup>3</sup>	1.04m <sup>3</sup> /h	1.39m <sup>3</sup> /h	1.74m <sup>3</sup> /h	2.08m <sup>3</sup> /h	2.78m <sup>3</sup> /h	2.78m <sup>3</sup> /h
(after 10 mins)		36.86ft <sup>3</sup> /h	49.0ft <sup>3</sup> /h	61.3ft <sup>3</sup> /h	73.5ft <sup>3</sup> /h	98.1ft <sup>3</sup> /h	98.1ft <sup>3</sup> /h
Lifting Weight	kg	23.1	23.1	23.1	32.2	32.2	34.2
	lbs	51	51	51	71	71	75.5
Water Content	Litres	1.1	1.1	1.1	1.6	1.6	1.3
	pints	1.9	1.9	1.9	2.8	2.8	2.3
Outercase Dimensions	Height	600mm	600mm	600mm	600mm	600mm	600mm
	Width	350mm	350mm	350mm	462mm	462mm	462mm
	Depth	287mm	287mm	287mm	287mm	287mm	287mm
Flue Terminal Dimensions	Diameter	100mm					
	Depth	65mm					
Static Head	Max	30 metres (100 ft)					
	Min	1 metres (3.25 ft)					
Connections	Flow	22mm Cu tail					
	Return	22mm Cu elbow					
Heat Exchanger		Cast iron monobloc					
Low Head	Min	0.2m (8 in)					
System Design		fully pumped open vented and sealed systems					
Gas Connection		RC ½ ( ½ in BSPT)					
Electrical Supply		230V - 50Hz fused 5A - 90W					
Controls		boiler thermostat, pilot & electronic flame sensing, timed pump over-run, frost protection thermostat					
Internal Fuse		4AF 250V to BS4256 situated on control board					

Hydraulic Resistance Charts

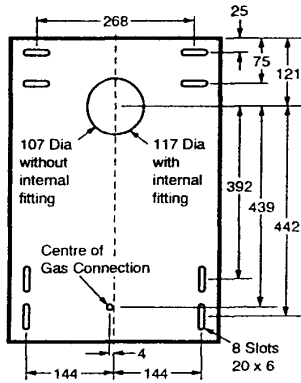


30, 40 and 50 PF models

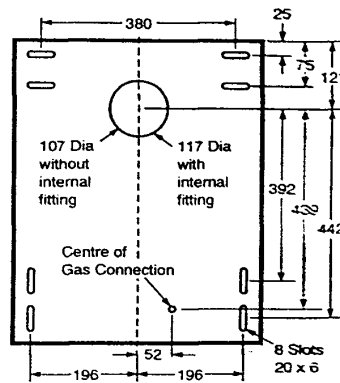


60, 70 and 80 PF models

Templates

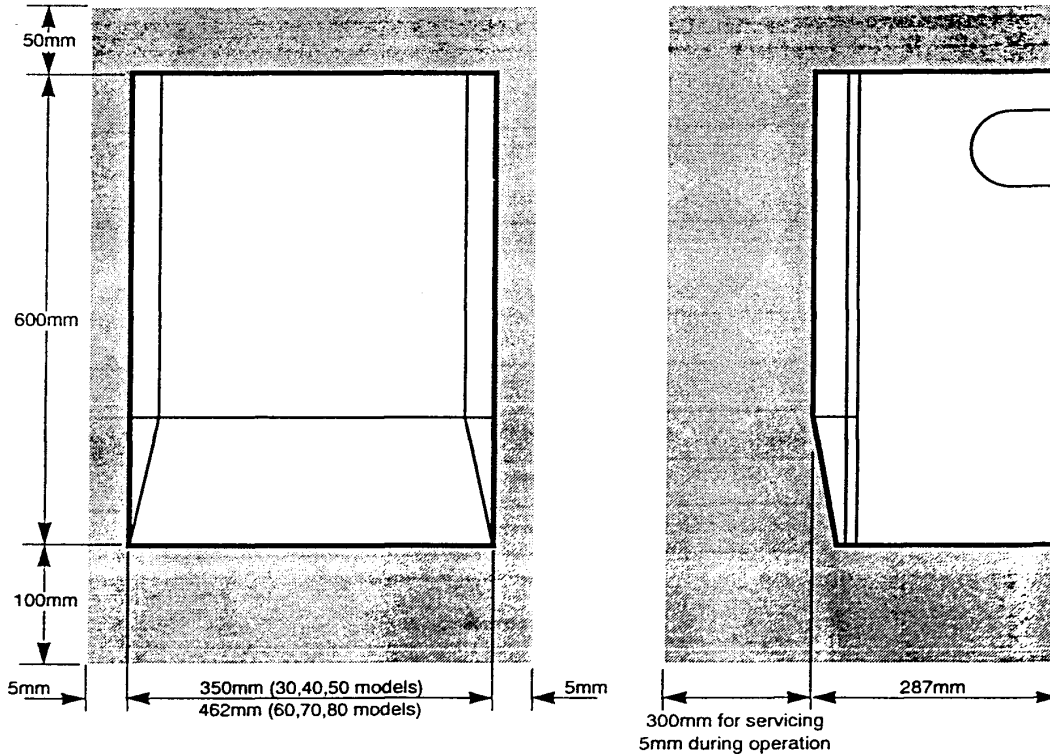


Layout of Fixing Points  
30, 40 and 50 PF models



Layout of Fixing Points  
60, 70 and 80 PF models

Clearances



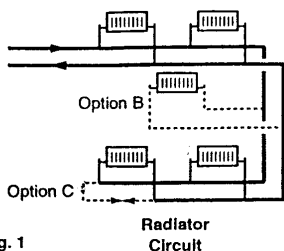


Fig. 1

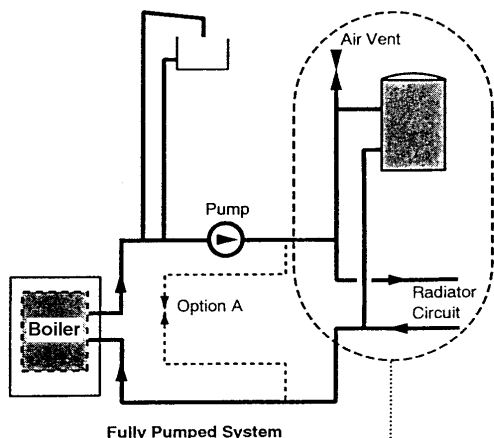


Fig. 2

**Examples of systems which require a bypass are:-**

- a) A system controlled by non-electrical valves e.g. mechanical thermostatic control valves both on the radiators and the hot water circuit.
- b) A system using twin zone valves (e.g. Honeywell 'S' Plan) (Fig. 3).
- c) A system using a 3 port diverter valve (Fig. 4) does not normally require a bypass therefore this system is recommended. The exception to this is where thermostatic radiator valves are used and then a bypass is required.

**The bypass circuit can be:-**

- a) For 30/40/50 PF a minimum of 8 metres of 22mm pipe, for 60/70/80 PF a minimum of 8 metres of 28mm pipe (measured between the boiler flow and return connections). It should be fitted with a lock shield valve opened at least 1 full turn to give a minimum flow rate of 8 litres/min (1.8 gal/min) (Option C, Fig. 1 & Option A, Fig.2).
- b) A radiator fitted with lock shield valves. The radiator output should be a minimum of 800 watts (2,700 Btu/h). Typically a convector type radiator with an area of 3750 cm<sup>2</sup> (4 sq ft) is adequate (Option B, Fig. 1).
- c) Any circuit that provides the same operating conditions as option A or option B (Figs. 1 & 2).

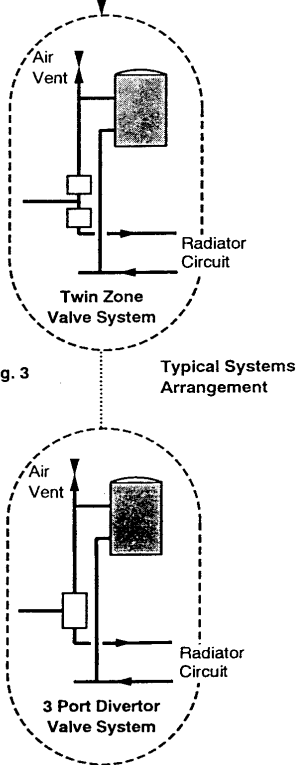


Fig. 3

### 3.1 Water Circulating Systems

1. The appliance is suitable for use with open vent fully pumped systems, sealed systems and where additional control protection is required. **The following conditions should be observed on all systems:**

- The static head must not exceed 30m (100ft) of water.
- The boiler must not be used with a direct cylinder.
- The boiler is fitted with a timed pump overrun that will operate for approximately 8 minutes.
- Drain cocks should be fitted to all system low points.
- All gas and water pipes and electrical wiring must be installed in a way which would not restrict the servicing of the boiler.
- Position isolating valves as close to circulating pump as possible.

### Treatment of Water Circulating Systems

- All recirculatory water systems will be subject to corrosion unless an appropriate water treatment is applied. This means that the efficiency of the system will deteriorate as corrosion sludge accumulates within the system, risking damage to pump and valves, boiler noise and circulation problems.
- For optimum performance after installation this boiler and its associated central heating system must be flushed in accordance with the guidelines given in BS 5793:1992 "Treatment of water in domestic hot water central heating systems".
- This must involve the use of a proprietary cleanser, such as BetzDearborn Sentinel X300 or X400, or Fernox Superfloc. Full instructions are supplied with the products, but for immediate information please contact BetzDearborn (0151 420 9563) or Femox (01799 550 811) directly.
- For long term protection against corrosion and scale, after flushing it is recommended that an inhibitor such as BetzDearborn Sentinel X1 00, or Femox MB-1 or Copal is dosed in accordance with the guidelines given in BS 5793:1 992.

**Failure to flush and add inhibitor to the system may invalidate the appliance warranty.**

- It is important to check the inhibitor concentration after installation, system modification and at every service in accordance with the manufacturer's instructions. (Test kits are available from inhibitor stockists.)
- For information or advice regarding any of the above contact the Baxi Helpline.

### 3.2 Bypass Requirements

1. The boiler is fitted with a pump overrun device which allows the removal of residual heat from the boiler.

**NOTE: The pump overrun will operate for approximately 8 minutes. The system design must therefore, always provide an open circuit for water to circulate between the boiler flow and return.**

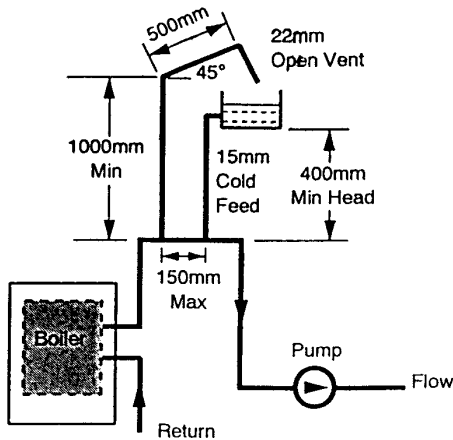


Fig. 5 Typical Low Head Installation

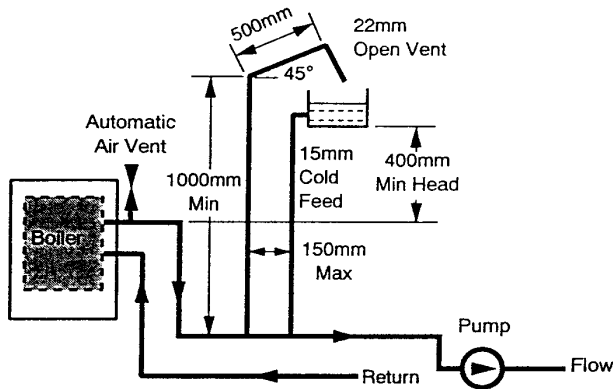


Fig. 6 If Conditions Require, This System Possible

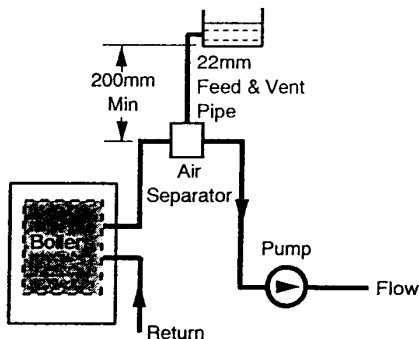


Fig. 7 Alternative Low Head Installation

### 3.3 Pipework

1. The sizes of flow and return pipes from the boiler should be determined by normal methods, according to the requirements of the system.
2. An 11° C (20° F) drop in temperature across the system is recommended.

### 3.4 System Controls

1. For optimum operating conditions, the heating system into which the boiler is installed should include a control system.
2. Such a system will comprise of a timer control and separate room or cylinder thermostats as appropriate.
3. The boiler should be controlled so that it operates on demand only.
4. Operation of the system under control of the boiler thermostat only does not produce the best results.

5. A frost thermostat is fitted integrally to the appliance controls and will protect the boiler from frost damage by operating the burner when the water temperature in the boiler drops towards freezing point. The boiler will fire as necessary to maintain a temperature above freezing.

**NOTE: The frost thermostat operates even if the boiler thermostat is in the OFF ('0') position and it is necessary therefore, if the system is drained, for the external electrical and gas supplies to be isolated. It is recommended that a label be affixed to the appliance to draw attention to the fact that the system has been drained.**

### 3.5 Low Head Installation

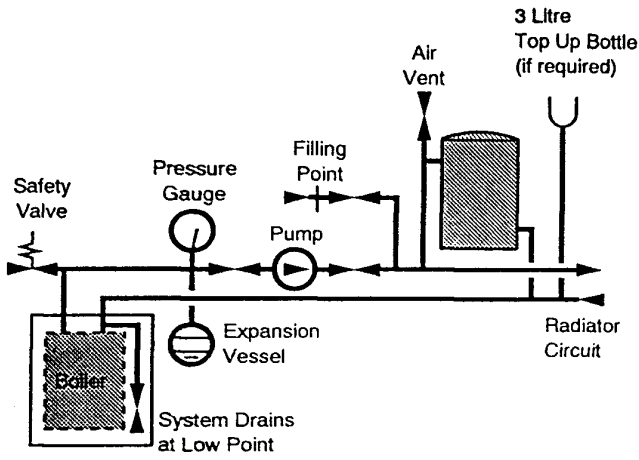
For boilers up to 50,000 Btu/h output

1. Using a close couple arrangement the minimum head is as shown in the diagrams (Figs. 5 & 6) subject to the following conditions:
  - a) The correct heat input.
  - b) The pump being adjusted to give an 11° C drop across the boiler.
  - c) The pump must be fitted on the flow.
  - d) The pump must be fitted in accordance with the pump manufacturers instructions.
  - e) The open vent pipe must be taken up from a tee in a horizontal section of the flow pipe.

#### Alternative Low Head Installation for all Sole 2 PF (Fig. 7)

2. If less height is available then a combined vent and feed pipe may be connected. This must be a minimum of 22mm diameter. It is recommended that an air separator is fitted when using a combined feed and vent pipe.





Max Boiler Flow  
Temp = 82° C

Fig. 8

3.6 Sealed Systems (Fig. 8)

1. **SAFETY VALVE** - A safety valve complying with the requirements of BS 6750 Part 1 must be fitted close to the boiler on the flow pipe by means of a horizontal or vertically upward connection with no intervening valve or restrictions and should be positioned to facilitate testing. The valve should be pre-set and non-adjustable to operate at a pressure of 3 bar (45 lbf/in<sup>2</sup>). It must be arranged to discharge any water or steam through a pipe to a safe outlet position.
2. **PRESSURE GAUGE** - A pressure gauge of minimum range 0-4 bar (0-60 lbf/in<sup>2</sup>) with a fill pressure indicator must be fitted to the system, preferably at the same point as the expansion vessel in an easily visible position.
3. **EXPANSION VESSEL** - An expansion vessel complying with the requirements of BS 4814 must be fitted to the system by means of a connection close to the inlet side of the circulating pump in accordance with the manufacturers instructions, the connecting pipe being unrestricted and not less than 15mm ( 1/2 in) nominal size. The volume of the vessel should be suitable for the system water content and the nitrogen or air charge pressure should not be less than the system static head (See Table. 1).

Further details of sealed system design can be obtained from BS 5449 and the British Gas publication entitled 'Specifications for Domestic Wet Central Heating Systems'.

Method of determining minimum value of expansion vessel volume for sealed systems using Baxi Boilers

Vessel Charge Pressure (Bar)	Initial System Pressure (Bar)	Multiply Total Water Content Of System By (Litres)
0.5	0.5	0.067
	1.0	0.112
	1.5	0.207
	2.0	0.441
1.0	1.0	0.087
	1.5	0.152
	2.0	0.330
1.5	1.5	0.125
	2.0	0.265

Example :- System Volume = 75 litres  
 Vessel Charge Pressure = 1.0 bar  
 Initial System Pressure = 1.5 bar  
 Then :- 75 x 0.152 = 11.4 litres  
 Expansion Vessel Volume

4. **FILLING POINT** - A filling point and an approved stop valve to BS 1010 must be fitted at low level and the method used for filling the system should be approved by the local water undertaking. For further details see BS 6798.
5. **MAKE UP SYSTEM** - A method of replacing water lost from the system should be provided either by means of a make up vessel of not more than 3 litres (5 pints) capacity, mounted above the highest point of the system, or by pre-pressurisation of the system.
6. **VENTING** - A method of venting the system during filling and commissioning must be provided by fitting automatic air vents or by venting manually.

7. **HOT WATER STORAGE** - The hot water storage vessel must be of the indirect coil type. All components used in the system must be suitable for operation at 110°C (230°F) and at the pressure allowed by the safety valve.

Table 1

NOTE

Where a vessel of the calculated size is not obtainable then the next available larger size should be used

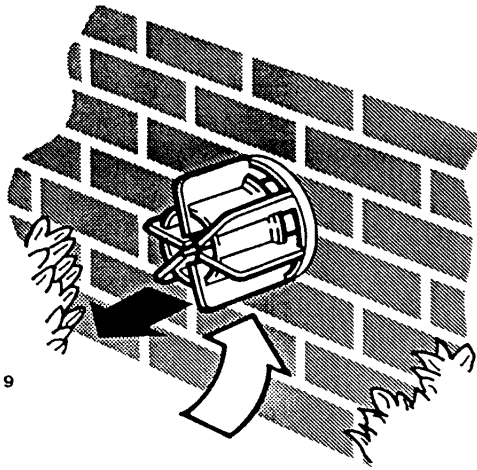


Fig. 9

Model	A
30	350
40	350
50	350
60	462
70	462
80	462

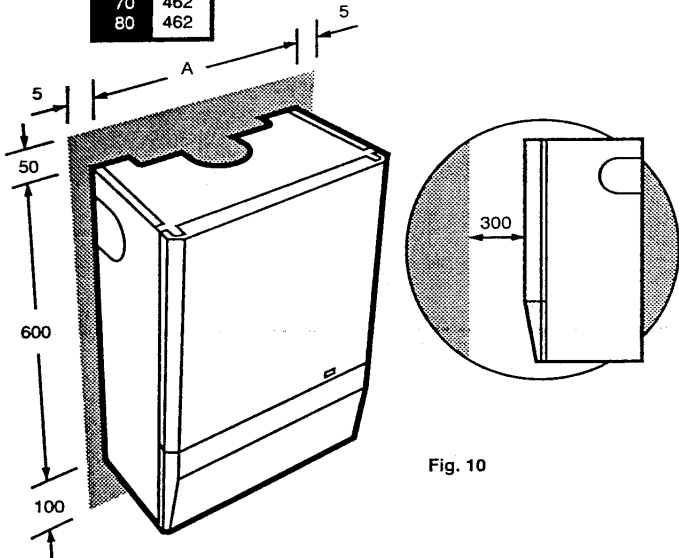


Fig. 10

**4.1 Location**

1. The appliance may be tilted to any suitable wall with the flue passing through an outside wall and discharging to atmosphere in a position permitting satisfactory removal of combustion products and providing an adequate air supply (Fig. 9). The appliance should be fitted within the building unless otherwise protected by a suitable enclosure ie. garage or outhouse. (The appliance may be fitted inside a cupboard. Cooling ventilation and insulation of the cupboard are not required, see section 4.5.)

2. If the appliance is fitted in a room containing a bath or shower reference must be made to the Current I.E.E. Wiring Regulations and Building Regulations. If the appliance is to be fitted into a building of timber frame construction then reference must be made to British Gas document DM2.

3. Recommendations for flues are given in BS 5440 Part 1.

**4.2 Clearances (Fig. 10)**

1. A flat vertical area is required for the installation of the boiler measuring as shown in the table below for each model.

Model	Height mm (in)	Width mm (in)
30	750 (29½)	360 (14½)
40	750 (29½)	360 (14½)
50	750 (29½)	360 (14½)
60	750 (29½)	472 (18½)
70	750 (29½)	472 (18½)
80	750 (29½)	472 (18½)

2. These dimensions include the necessary clearances around the appliance for case removal, spanner access and air movement. Additional clearances may be required for the passage of pipes around local obstructions such as joists running parallel to the front face of the appliance.

3. If fitted inside a cupboard the clearance of 300mm shown is only necessary when the cupboard door is open. A clearance of 5mm (3/16 in) is required when the door is dosed.

**4.3 Flue Position**

1. For installations where the flue terminal is inaccessible from the outside, an internal fitting kit is available. This can be obtained free of charge from your local merchant.

2. The following guide lines indicate the general requirements for siting balanced flue terminals.

3. If the terminal is fitted within 1 metre (39in) of a plastic gutter, within 500mm (19½ in) of a painted eave or a painted gutter, an aluminium shield of at least 1 metre (39in) long should be fitted to the underside of the gutter or painted surface. An air space of 5mm (3/16 in) should be left between shield and gutter (Fig. 11).

4. If the terminal discharges onto a pathway or passageway, check that combustion products will not cause a nuisance and that the terminal will not obstruct the passageway.

5. If the outer surface of an outside wall is of combustible material, it should be protected by fitting the flue trim provided.

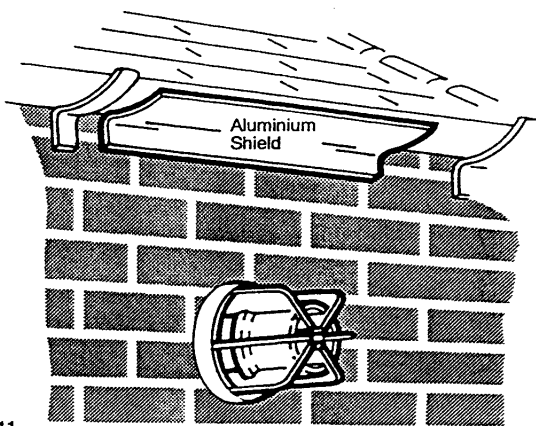
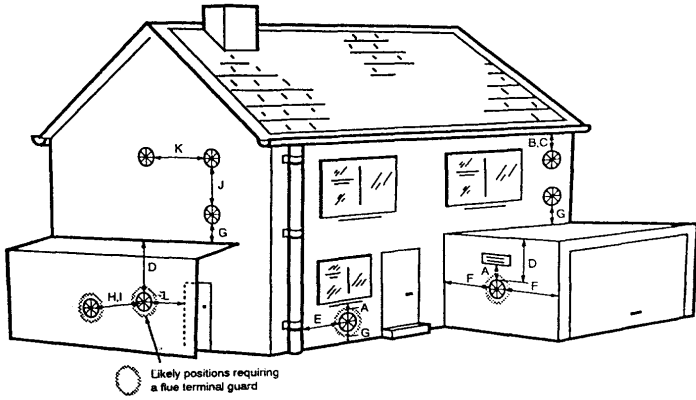


Fig. 11



4.3 Flue Position (Ctd)

**WARNING** - The addition of anything that may interfere with the normal operation of the appliance (e.g. FLUE DAMPERS, ECONOMISERS.etc.) without the express written permission of Baxi Heating Ltd could invalidate the appliance warranty and infringe the GAS SAFETY (Installation and Use) REGULATIONS.

If a terminal is less than 2 metres (78 ¾ in) above a balcony, above ground or above a fiat roof to which people have access then a suitable terminal guard must be provided.

6. Table 2 and the accompanying diagram show the positioning of the flue terminal relative to buildings and other structures.

7. The dimensions of the flue terminal are shown in Fig. 12.

Terminal Position with Minimum Distance	(mm)
A Directly below an openable window or other opening, e.g. an air brick.	300
B Below gutters.	25
C Below eaves, soil pipes or drain pipes.	75
D Below balconies or car port roof	200
E From vertical drain pipes and soil pipes.	75
F From internal or external corners.	25
G Above ground, roof or balcony level.	300
H From a surface facing a terminal.	600
I From a terminal facing a terminal.	1200
J Vertically from a terminal on the same wall.	1500
K Horizontally from a terminal on the same wall.	300
L For an opening in a car port (e.g. door, window) into a dwelling.	1200

4.4 Flue Dimensions

1. The standard flue supplied with the appliance is suitable for use with flue lengths between 100mm (4in) and 685mm (27in).

**NOTE: Maximum flue length when flued to the left or right is**

**584mm (23 n) - 30, 40, 50 PF**  
**533mm (21 in) - 60, 70, 80 PF**

2. Flue extension kits are available as an optional extra for installations up to 1 metre (39 ⅜ in) and up to 2 metres (79 ¾ in). **2 metre kit is not available for the 70 and 80 PF model.**

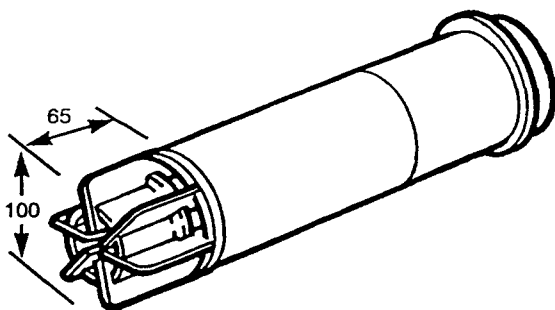
Table 2

3. A vertical flue kit, with flue breaker, is also available as an optional extra (Sol-Ver Kit).

4. Where it is intended to pass the flue through a combustibile wall or timber framed dwelling, reference should be made to British Gas publication DM2.

5. If the flue is more than 1.8 metres (70 ⅞ in) long, it is required that it is supported.

6. **All above dimensions are taken from the respective faces of the outer case.**



Flue Terminal Dimensions

Fig. 12

#### 4.5 Ventilation of Compartments

1. Where the appliance is installed in a cupboard or compartment, no air vents are required.

**NOTE: The ventilation label on the front of the outer case MUST NOT BE REMOVED when the appliance is installed in a compartment or cupboard.**

2. B.S. 5440 Part 2 Clause 4.2 refers to room sealed appliances installed in compartments. The Solo 2 PF will run sufficiently cool without ventilation

#### 4.6 Gas Supply (Fig. 13)

1. The gas installation should be in accordance with BS 6891.
2. The connection of the appliance is a RC ½ (½ in BSPT internal) located at the rear of the gas cock.
3. Ensure that the pipework from the meter to the appliance is of adequate size. Do not use pipes of a smaller diameter than the appliance gas connection.

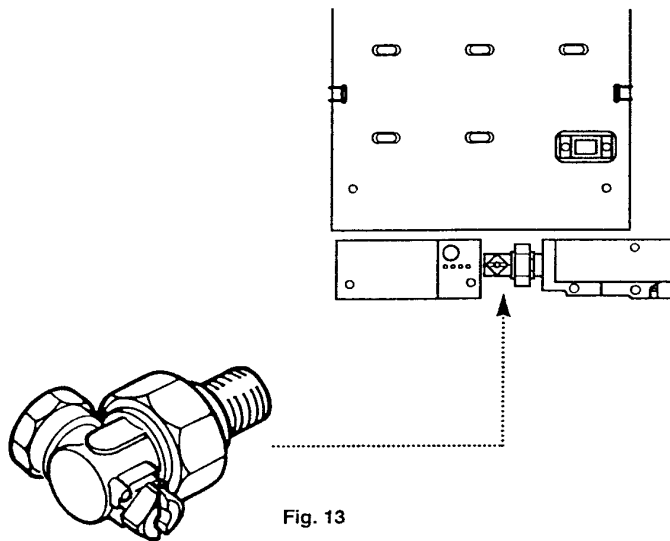


Fig. 13

#### 4.7 Electrical Supply

External wiring must be correctly earthed, polarized and in accordance with CURRENT I.E.E. WIRING REGULATIONS.

The mains supply is 230V ~ 50Hz fused at 5k

**NOTE: The method of connection to the electricity supply must facilitate complete electrical isolation of the appliance.**

Connection may be made via a fused double-pole isolator with a contact separation of a least 3mm in all poles and serving the appliance and system controls only.

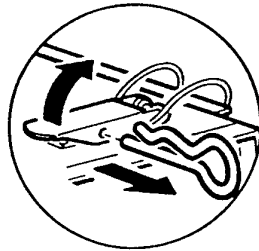
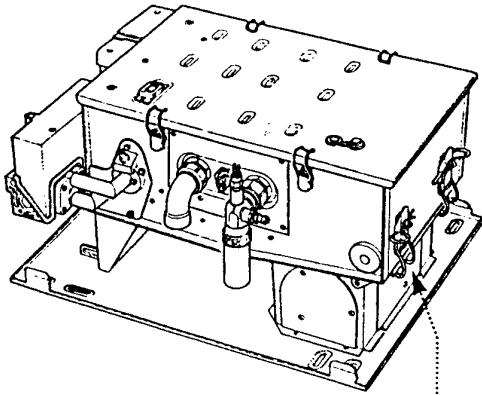


Fig. 14

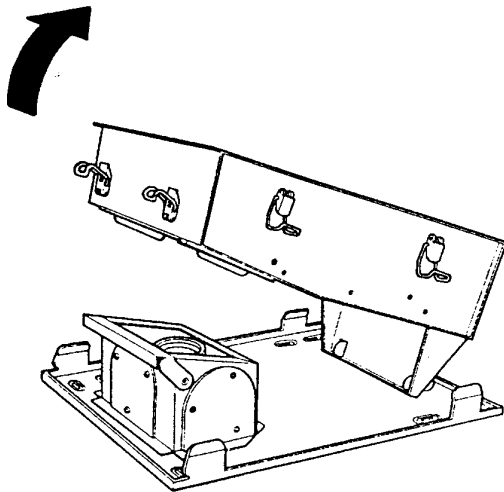


Fig. 15

### 5.1 Initial Preparation

1. Unpack contents of carton.
2. Remove the lower door panel from the outer case. Remove the 2 screws holding the outer case to the combustion box.
3. Place the ready assembled outer case in a safe place until required.
4. Release the R clips from the two latches securing the combustion box to the back plate and release the latches (Fig. 14).
5. Lift and remove the combustion box from the back plate (Fig. 15). Place the combustion box on its back.

**IMPORTANT - When installing a Solo 2 with a rear flue see section 5.2 before continuing the installation.**

6. Proceed to the relevant section for flueing the appliance either to the Rear, Left, Right or Vertically.

**NOTE: For Vertical flueing or flue lengths above the standard 610mm (24 in) the relevant optional extra kits must be obtained and their instructions followed.**

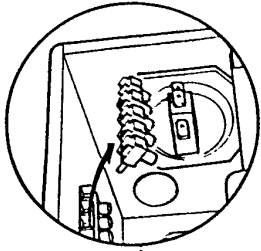


Fig. 17



Fig. 16a

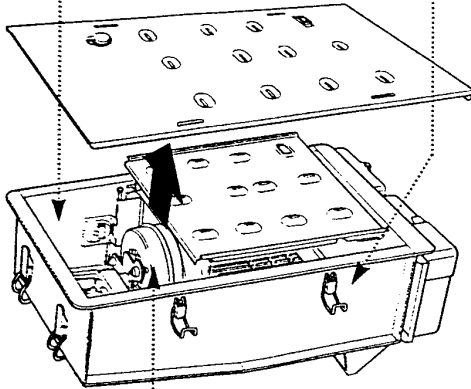


Fig. 16

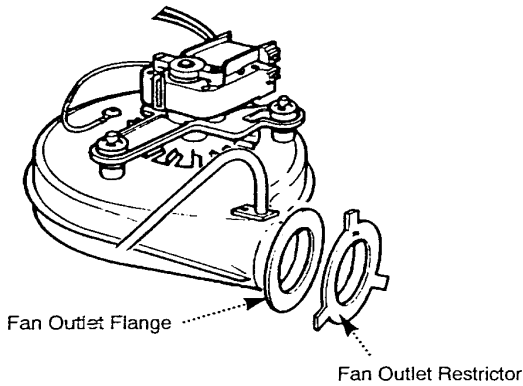


Fig. 18

## 5.2 Fan Outlet Restrictor (30, 40, 50, 60, 70 and 80)

### Rear Flue only up to 686mm (27 in)

1. Release the four latches holding the combustion box door (Fig 16a). Remove the combustion box door by pulling forward from the bottom and unhooking its top edge (Fig. 16).
2. Release the 5-pin electrical plug connecting the pressure switch and fan (Fig. 17). Withdraw the fan assembly by pulling forwards from the top edge (Fig. 16).
3. Take the sheetmetal restrictor (supplied in the kit of parts), check that the number stamped on the restrictor matches the appliance (e.g. 50 stamped on the restrictor is for 50 PF appliance)
4. Fit the restrictor to the fan outlet flange, bending the 3 lugs equally over the flange to secure (Fig. 18).
5. Re-assemble the fan assembly and combustion box door.

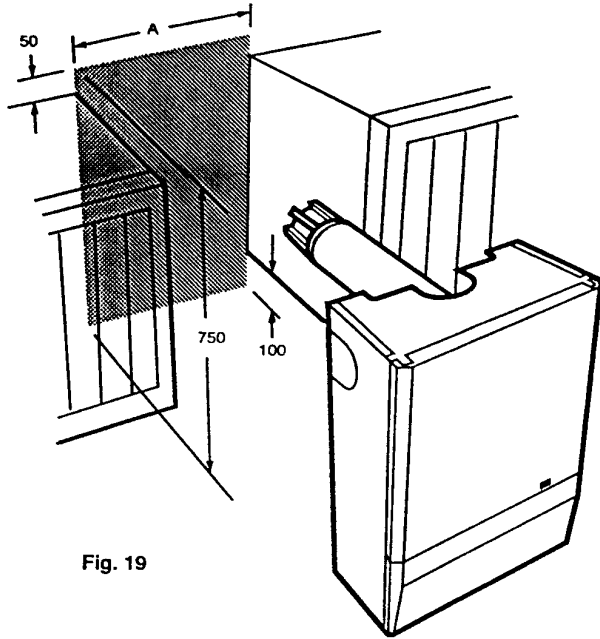


Fig. 19

**5.3 Position the Boiler (Fig. 19)**

1. Choose a suitable position for the boiler making necessary allowances for the minimum clearances required as shown in the table below.

Model	A
30	360
40	360
50	360
60	472
70	472
80	472

2. Hold the wall template against the wall at the required boiler location. Ensure that the top of the template is level (Fig. 20).

3. The template represents the outer limits of the appliance plus the required minimum side clearance.

4. Mark the position of the flue hole centre and the inward pointing corners of the two triangular cut-outs in the template. Mark the position of the four fixing holes. Where possible use the uppermost and lowest fixing hole positions, otherwise space the fixing holes as far apart as possible (Fig. 20).

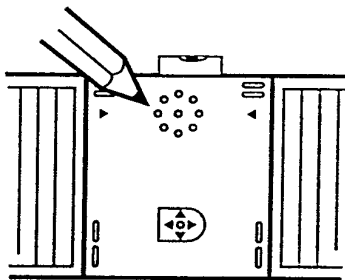


Fig. 20

**5.4 Rear Flue**

1. For installations where the flue terminal is inaccessible from the outside, an internal fitting kit is available. This can be obtained free of charge from your local merchant quoting Baxi Part N° 226441.

**2. If using the internal fitting kit a 117mm (4 5/8 in) diameter hole is required.**

3. Drill the anchorage holes 63mm (2 1/2 in) deep to accept suitable wall plugs (Fig. 21).

4. Using the previously marked flue hole centre, cut a hole approximately 107mm (4 1/4 in) diameter in the masonry for the 100mm (4 in) diameter flue duct. (When using a core drill, it is important to keep the drill level and square).

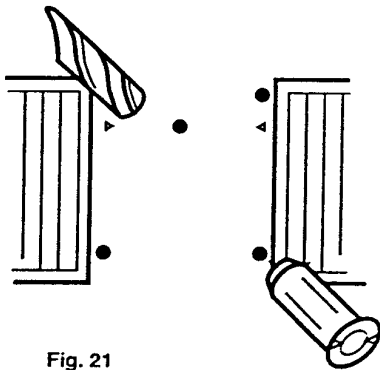


Fig. 21

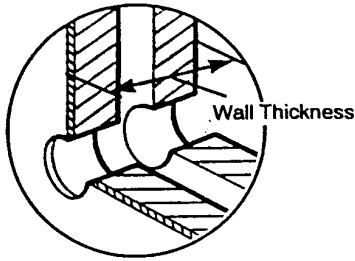


Fig. 22

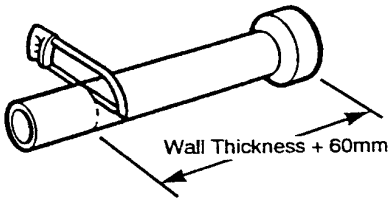


Fig. 23

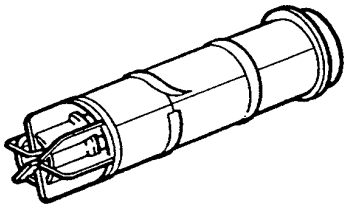


Fig. 24

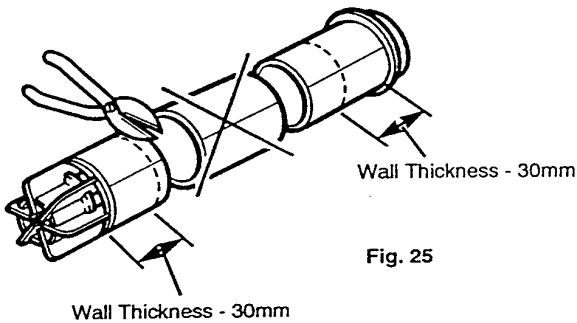


Fig. 25

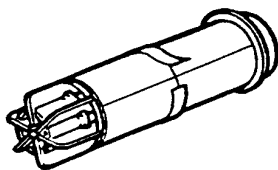


Fig. 26

### 5.5 Rear Flue Preparation

1. Measure the wall thickness (Fig. 22) and to this dimension add 60mm ( $2\frac{3}{8}$  in).
2. Take the flue duct and mark off wall thickness + 60mm ( $2\frac{3}{8}$  in) from the swaged end of the duct and cut to size (Fig. 23). (Use the tape provided to give an accurate cutting guide by wrapping it around the flue duct with the edge marking the cutting line).

3. **Wall Thickness 280mm - 685mm (11in - 27in)** -Take the telescopic air duct from its pack. Open the air duct out to the wall thickness. Using the tape provided seal the joints of the three sections of the air duct, ensuring an overlap of at least 30mm ( $1\frac{3}{16}$  in) at each joint (Fig. 24).

**NOTE: The seams of all three sections must be in line.**

4. **Wall Thickness 100mm - 280mm (4in - 11in)** if the wall thickness is less than 280mm (11 in), it will be necessary to cut the components of the air duct to the appropriate size. Dispose of the centre section, as this is not required (Fig. 25).

5. Measure the wall thickness and subtract 30mm ( $1\frac{3}{16}$  in) from this dimension. Cut the remaining sections to this length, measuring from the positions indicated in the diagram (Fig. 25).

6. Engage the sections, one inside the other, then open the assembly out to wall thickness. Tape the sections together using the tape provided, ensuring that the seal is good (Fig. 26).

**NOTE: The seams of both sections must be in line.**



Rear Air Box  
Blanking Plate

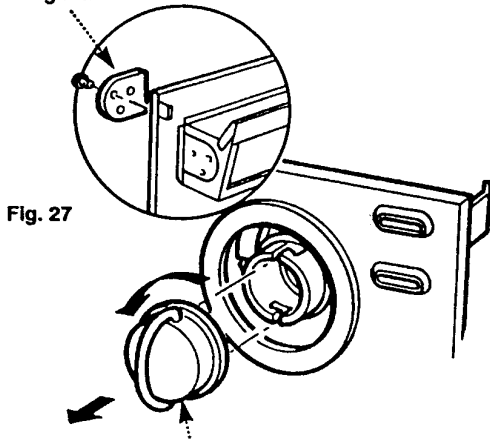
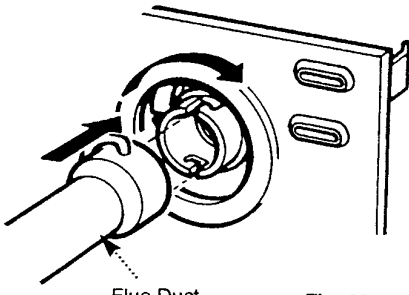


Fig. 27

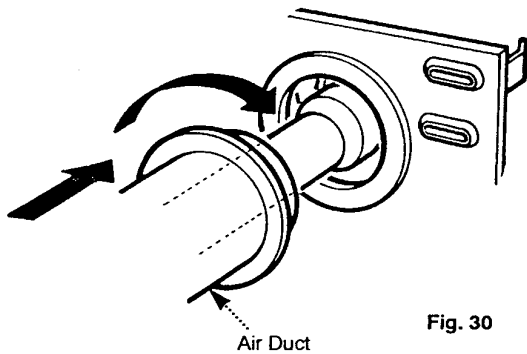
Blanking Cap

Fig. 28



Flue Duct

Fig. 29



Air Duct

Fig. 30

### 5.6 Assembly of Rear Flue

1. Remove the rear air box blanking plate from the back plate by releasing the three screws (Fig. 27).
2. Remove the blanking cap at the rear of the turret, by pushing and turning anti-clockwise to release the bayonet fitting (Fig. 28).
3. Locate the swaged end of the flue duct over the bayonet fitting on the turret, taking care not to damage the 'O' ring. Lock the flue duct in place by pressing in and turning clockwise (Fig. 29).
4. Ensure all seams of the air duct sections are uppermost and that the 'O' ring seal is in position against the sealing flange.
5. Fit the air duct over the flue duct and draw towards the back plate, ensuring that the flue duct locates into position in the terminal end of the air duct.
6. Engage the bayonet slots of the air duct over the location lugs of the back plate opening and press and turn clockwise to secure the air duct to the back plate (Fig. 30).
7. In order to increase security of the flue, the bayonet tags may be deformed to secure the flue in position.

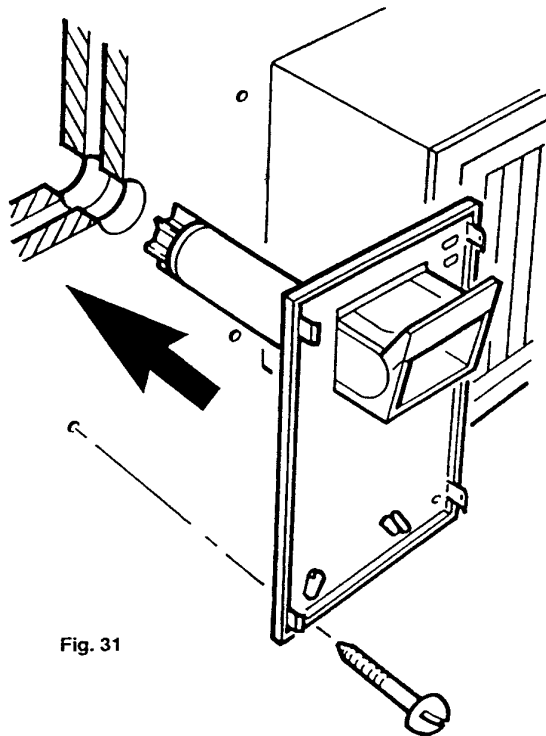


Fig. 31

### 5.7 Fitting the Back Plate

1. Engage the assembly into the hole previously cut in the wall and slide in place (Fig. 31).
2. Secure the assembly to the wall at the previously drilled anchorage points with suitable screws (Fig. 31). Before finally tightening the screws, check that the assembly is level.
3. Make good between the wall and the air duct outside the building if the internal fitting kit has not been used (Fig. 32).
4. The flue trim provided may be fitted if required, to neaten up the make-up around the terminal. This plate may also be used as a protection plate on outside walls of combustible material.
5. Fit the trim over the flue terminal and mark through the four securing holes. Remove the trim, drill holes 63mm (2 ½ in) deep to accept suitable wall plugs. Fit the trim over the flue terminal and secure using suitable screws (Fig. 33).

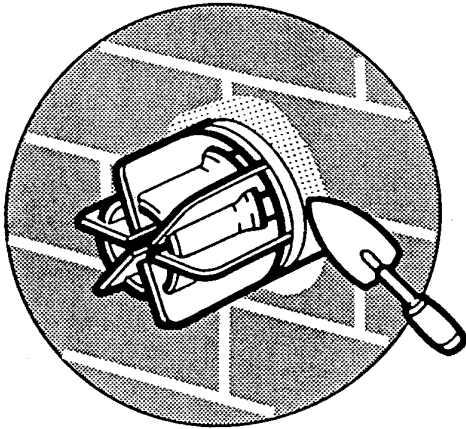


Fig. 32

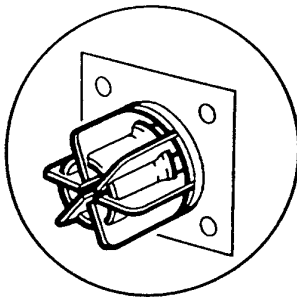
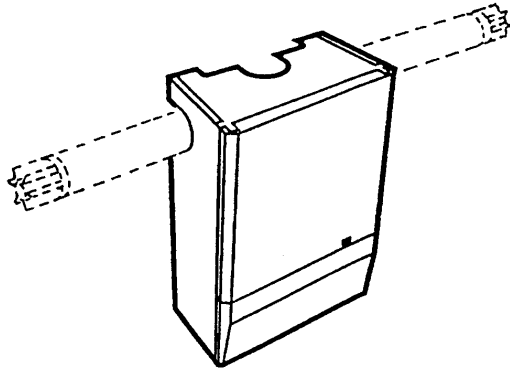


Fig. 33



**5.8 Left or Right Flue**

**NOTE:** if the flue terminal is inaccessible from outside the building, it is necessary to fix the internal fitting kit in position before continuing with the installation. (See section 5.15 Internal Fitting Kit of these instructions).

1. The procedure for fitting the appliance flued to the left or right hand side is the same.

2. **30-40-50 PF-** Left/Right Hand Side maximum flue 584mm (23 in).

3. **60-70-80 PF -** Left/Right Hand Side maximum flue 533mm (21 in).

4. Using the previously marked flue hole centre and the two marks made at the triangular cutouts of the template, mark the horizontal centre line for the flue assembly (Fig. 34).

5. Extend this line either left or right as required, to the corner of the room (Fig. 34).

6. Extend the horizontal centre line around the corner for approximately 300mm (12 in). Ensure that the line remains horizontal by checking with a spirit level (Fig. 35).

7. From the wall template remove the detachable section outlined and marked. Using this as a template, line up the horizontal triangular cut outs with the extended 300mm (12 in) line and make sure that the flat of the template is butted up against the corner of the wall (Fig. 36).

8. If the appliance mounting wall is out of true, use string or a straight edge to determine the true corner position and mark a vertical line to accommodate the flat edge of the template.

9. Holding the template firmly, mark the vertical centre line for the flue assembly by marking the point at the outer corners of the upper and lower cut outs (Fig. 37).

10. Remove the template and draw a vertical line between the two marks. The intersection of the vertical and horizontal lines is the centre of the flue hole (Fig. 38).

11. For installations where the flue terminal is inaccessible from the outside, an internal fitting kit is available. This can be obtained free of charge from your local merchant.

12. If using the internal fitting kit a 117mm (4 5/8 in) diameter hole is required.

13. Cut a hole approximately 107mm (4 1/4 in) diameter in the masonry for the 100mm (4 in) diameter flue duct (Fig. 39). (Use of a core drill is recommended. When using a core drill, it is important to keep the drill level and square, particularly with the wall onto which the boiler is to be fitted).

14. Drill the anchorage holes 63mm (2 1/2 in) deep to accept suitable wall plugs.

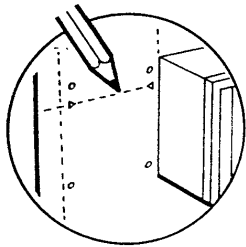


Fig. 34

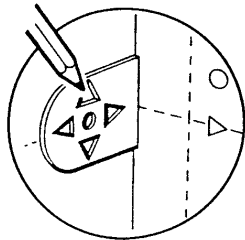


Fig. 37

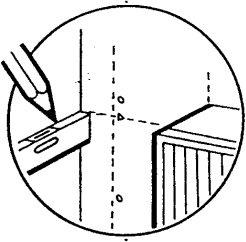


Fig. 35

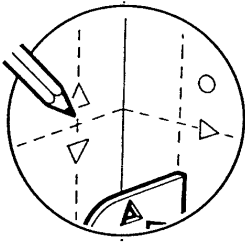


Fig. 38

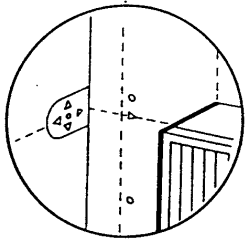


Fig. 36

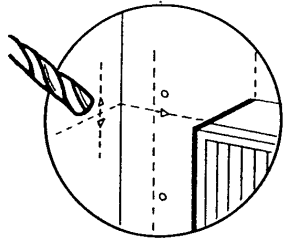


Fig. 39

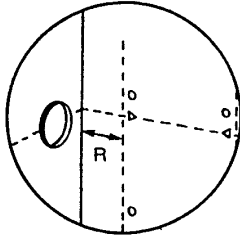


Fig. 40

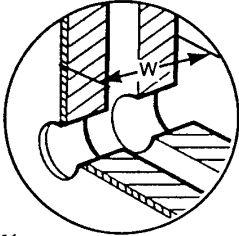


Fig. 41

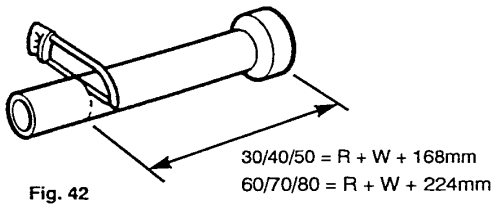


Fig. 42

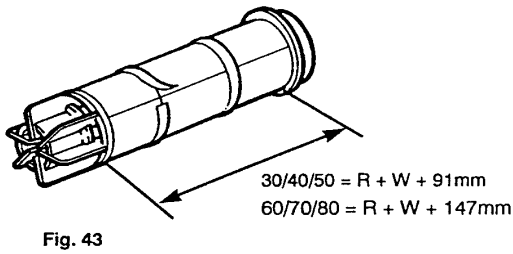


Fig. 43

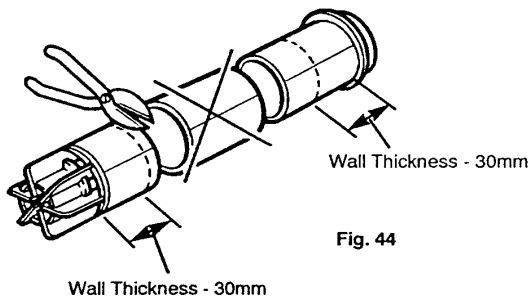


Fig. 44

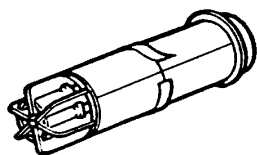


Fig. 45

### 5.9 Side Flue Preparation

1. For both Left and Right Hand Flue – Measure the distance from the wall to the nearest line marked from the template. This will be known as distance R (Fig. 40).

2. Measure the thickness of the wall from the inside. This will be known as distance W (Fig 41).

3. Add these two figures together plus 168mm (6 5/8 in) for 30-40-50 PF and 224mm (8 7/8 in) for 60-70-80 PF

4. **30-40-50 PF:**

$$\text{Flue Duct Length} = R + W + 168\text{mm} (6 \frac{5}{8} \text{ in})$$

5. **60-70-80 PF:**

$$\text{Flue Duct Length} = R + W + 224\text{mm} (8 \frac{7}{8} \text{ in})$$

6. Mark off the appropriate length from the swaged end of the flue duct. Cut the duct to length and dispose of the unwanted length. (Use the tape provided to give an accurate cutting guide by wrapping it around the flue duct with the edge marking the cutting line) (Fig. 42).

7. Take the telescopic air duct from its pack. Open the air duct out to the length:-

$$\begin{aligned} (30-40-50 \text{ PF}) & R + W + 91\text{mm} (3 \frac{9}{16} \text{ in}) \\ (60-70-80 \text{ PF}) & R + W + 147\text{mm} (5 \frac{3}{4} \text{ in}) \end{aligned}$$

8. Using the tape provided seal the joints of the three sections of the air duct, ensuring an overlap of at least 30mm (1 3/16 in) at each joint (Fig. 43).

**NOTE: The seams of all three sections must be in line.**

9. If the wall thickness (W) plus the distance from the wall to the side of the boiler case (R) is less than 202mm (8 in), it will be necessary to cut the components of the air duct to make up the appropriate size. Dispose of the centre section as this is not required (Fig. 44).

$$\begin{aligned} (30-40-50 \text{ PF}) & R + 'N + 91\text{mm} (3 \frac{9}{16} \text{ in}) \\ (60-70-80 \text{ PF}) & R + 'N + 147\text{mm} (5 \frac{3}{4} \text{ in}) \end{aligned}$$

10. Engage the sections, one inside the other, then open the assembly out to wall thickness. Tape the sections together using the tape provided, ensuring that the seal is good (Fig. 45).

**NOTE: The seams of both sections must be in line.**

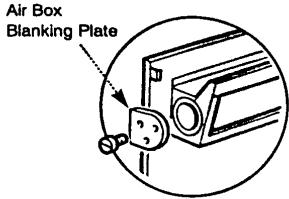


Fig. 46

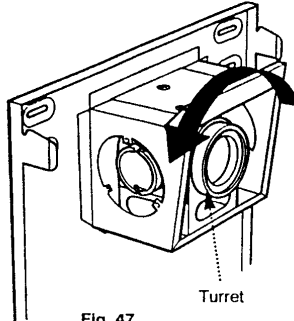


Fig. 47

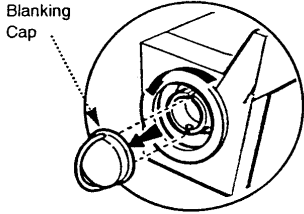


Fig. 48

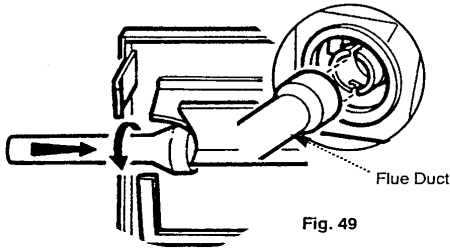


Fig. 49

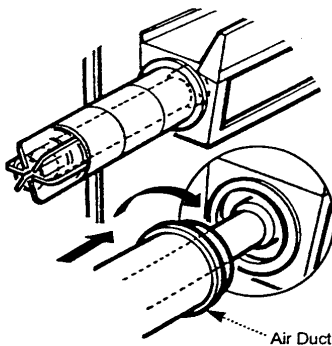


Fig. 50

### 5.10 Fitting the Flue and Back Plate

1. **NOTE:** There are two options for fitting the flue and back plate they are:

**Method A** - Fitting the flue and back plate as an assembly (usually used where there are no side clearance problems).

**Method B** - Pre-fitting the flue through the wall, fitting the back plate to its position on the wall and then connecting the two together (usually used where side clearances are restrictive).

#### 5.11 Method A

1. Remove the left or right hand air box blanking plate, as appropriate, from the back plate air box by releasing the three screws (Fig. 46).
2. Rotate the turret to face the selected opening (Fig. 47) and remove the side blanking cap by pushing in and turning anti-clockwise to release the bayonet fitting (Fig. 48).
3. Locate the swaged end of the flue duct over the bayonet fitting on the turret, taking care not to damage the 'O' ring. Lock the flue in place by pressing in and turning clockwise (Fig. 49).
4. Ensure all seams of the air duct sections are uppermost and that the 'O' ring seal is in position against the sealing flange.
5. Fit the air duct over the flue duct and draw towards the air box on the back plate, ensuring that the flue duct locates into position in the terminal end of the air duct. Engage the bayonet slots of the air duct over the location lugs of the back plate opening and press and turn clockwise to secure the air duct to the air box (Fig. 50).
6. In order to increase security of the flue, the bayonet tags may be deformed to secure the flue in position.

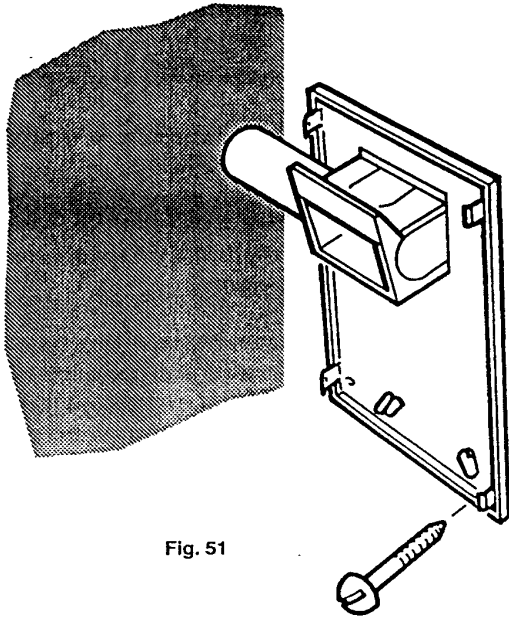


Fig. 51

**5.11 Method A (Cont)**

7. Engage the assembly into the hole previously cut in the wall and slide into place.

8. Secure the assembly to the wall at the previously drilled anchorage points with suitable screws. Before finally tightening the screws, check that the assembly is level (Fig. 51).

9. Make good between the wall and the air duct inside and outside the building if the internal fitting kit has not been used (Fig. 52).

10. The flue trim provided may be fitted, if required, to neaten up the make-up around the terminal. This plate may also be used as a protection plate on outside walls of combustible material.

11. Fit the trim over the flue terminal and mark through the four securing holes. Remove the trim, drill holes 63mm (2 ½ in) deep to accept suitable wall plugs. Fit the trim over the flue terminal and secure using suitable screws (Fig. 53).

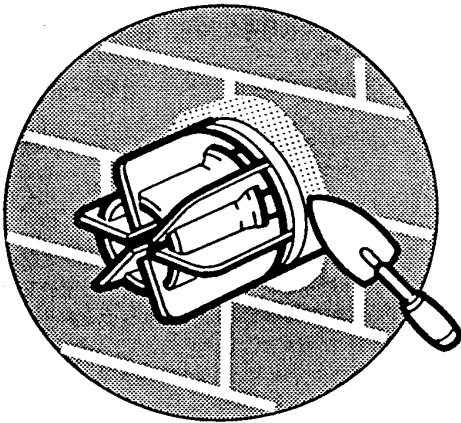


Fig. 52

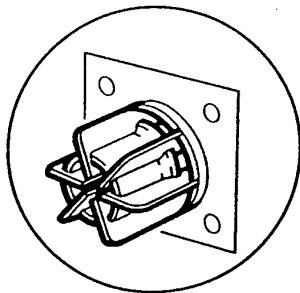


Fig. 53

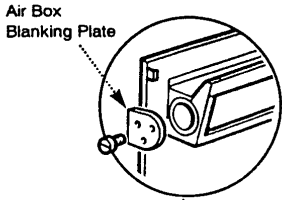


Fig. 54

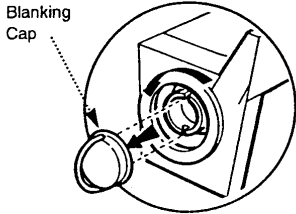


Fig. 55a

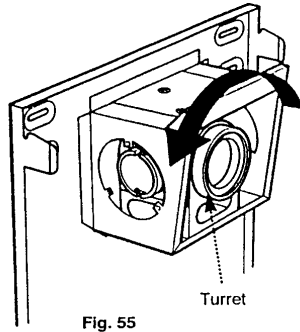


Fig. 55

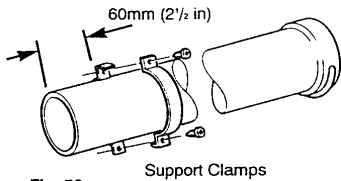


Fig. 56

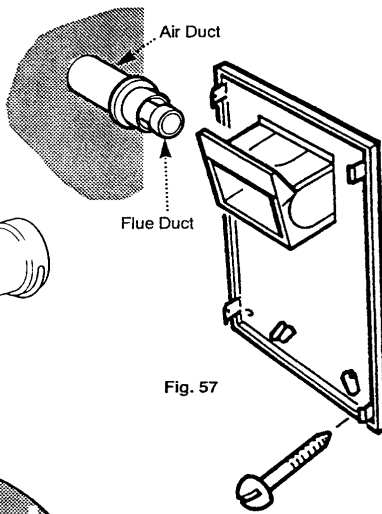


Fig. 57

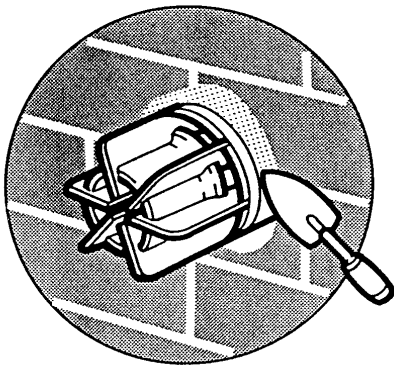


Fig. 58

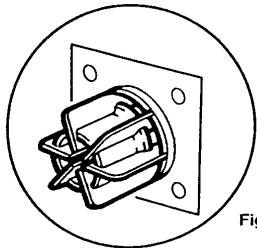


Fig. 59

### 5.12 Method B

1. Remove the left or right hand air box blanking plate, as appropriate, from the back plate air box by releasing the three screws (Fig. 54).

2. Rotate the turret to face the selected opening (Fig. 55) and remove the side blanking cap by pushing in and turning anti-clockwise to release the bayonet fitting (Fig. 55a).

3. Fit the support clamp provided, 60mm (2 1/2 in) from the plain end of the flue tube and tighten with the two screws (Fig. 56).

4. Fit the air duct over the flue duct ensuring that the flue duct locates into position in the terminal end of the air duct.

5. Ensuring all seams of the air duct are uppermost, engage the air duct into the hole previously cut in the wall and through holes in other partitions (cupboards, walls, etc). Ensure that the bayonet ends of the air duct and flue are clear of the previously marked back plate area or that they overhang it by no more than 50mm (2in). Ensure that the 'O' ring seal is in position against the sealing flange of the air duct (Fig. 57).

6. Secure the back plate to the wall at the previously drilled anchorage points with suitable screws. Before finally tightening the screws, check that the assembly is level (Fig. 57).

7. Draw the flue duct towards the back plate air box and locate the swaged end of the flue duct over the bayonet fitting on the turret, taking care not to damage the 'O' ring. Lock the flue in place by pressing in and turning clockwise.

8. Draw the air duct towards the air box on the back plate, ensuring that the flue duct is located into position in the terminal end of the air duct. Engage the bayonet slots of the air duct over the location lugs of the air box opening and press and turn clockwise to secure the air box to the air duct.

9. In order to increase security of the flue, the bayonet tags may be deformed to secure the flue in position.

10. Make good between the wall and the air duct inside and outside the building if the internal fitting kit has not been used (Fig. 58).

11. The flue trim provided may be fitted if required, to neaten up the make-up around the terminal. This plate may also be used as a protection plate on outside walls of combustible material.

Fit the trim over the flue terminal and mark through the four securing holes. Remove the trim, drill holes 63mm (2 1/2 in) deep to accept suitable wall plugs. Fit the trim over the flue terminal and secure using suitable screws (Fig. 59).

### 5.13 Terminal Guard

1. When codes of practice dictate the use of terminal guards, they can be obtained from most plumbers and builders merchants nationwide.
2. When ordering a terminal guard, quote the appliance model number.
3. The guard manufacturers listed below can be contacted for terminal sizes and guard model numbers.

Tower Flue Components Ltd.,  
Tower House.  
Vale Rise,  
Tonbridge,  
Kent.  
Tel: 01732 351555.

Quinnell, Barrett & Quinnell,  
884 Old Kent Road,  
London, SE15 1NL  
Tel: 0171 639 1357. -

### 5.14 Fitting a Terminal Guard (Fig. 60)

1. Position the guard over the terminal on the outside wall. Ensure the guard is equally spaced about the terminal. Mark the fixing positions.
2. Drill and plug fixing the positions then secure the guard to wall.

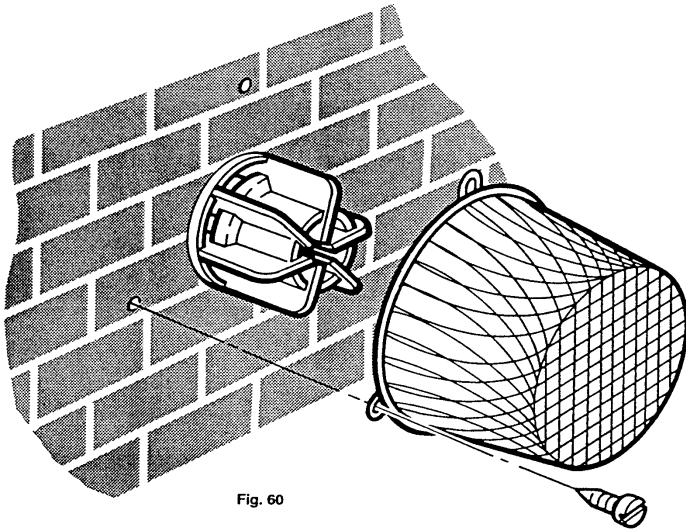


Fig. 60



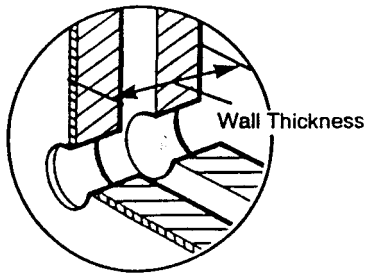


Fig. 61

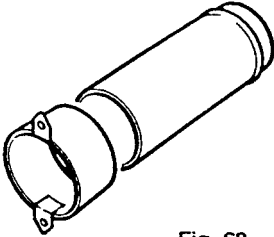


Fig. 62

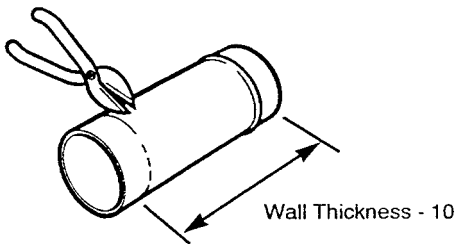


Fig. 63

### 5.15 Internal Fitting Kit

1. The internal fitting kit (available from merchants free of charge quoting Baxi Part N°.226441) is suitable for walls between 100mm (4in) and 280mm (11 in) in thickness.

2. **TO INSTALL THE KIT-** Mark the flue hole centre as described in section 5.4 or 5.8. Cut a hole in the masonry approximately 117mm (4 <sup>5</sup>/<sub>8</sub> in) diameter for the internal fitting kit. The use of a core drill is recommended. (When using a core drill, it is important to keep the drill level and square).

3. Measure the wall thickness and from this dimension subtract 10mm ( <sup>3</sup>/<sub>8</sub> in) (Fig. 61).

4. Remove the wall liner from its packing and remove the end piece (Fig. 62).

5. Mark off the dimension, wall thickness - 10mm ( <sup>3</sup>/<sub>8</sub> in), measuring from the beaded end of the duct and cut off the remaining length of the duct. Ensure that the cut is square and reasonably straight (Fig. 63).

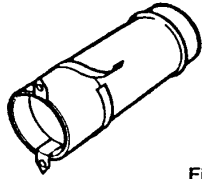


Fig. 64

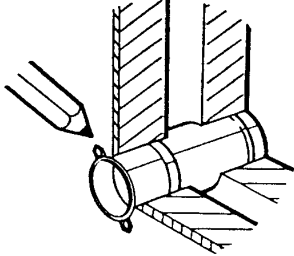


Fig. 65

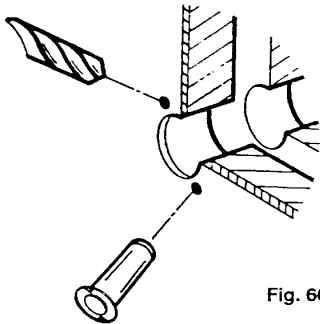


Fig. 66

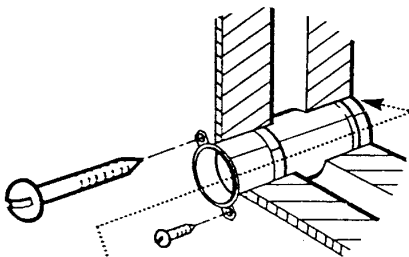


Fig. 67

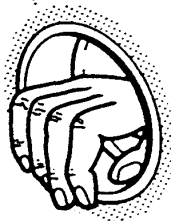


Fig. 68

### 5.15 Internal Fitting Kit (Cont)

6. Refit the end piece to the liner and open out to the thickness of the wall. Seal the two pieces together using the tape provided with the kit (Fig 64).

7. Slide the assembled wall liner into the hole in the wall until the tags stop against the inner wall with the seam of the liner uppermost. Mark the positions of the holes in the tags on the wall and then rotate liner so that tags reveal marks (Fig. 65).

8. Drill and plug the wall in these positions (Fig. 66).

9. Rotate liner back until the tags align with the holes drilled and secure it to the wall using suitable screws (Fig. 67).

10. Make good between the edge of the liner and the outside wall with cement mortar or a similar substance, by reaching through the liner and pressing the mortar between liner and the outside brick work (Fig. 68). Make good between the liner and the inside wall. Apply soap solution to the 'O' ring inside the liner.

11. The rest of the installation may now proceed as described.

### 5.16 Fitting the Combustion Box

1. Offer up the combustion box to the back plate and locate the rear bottom edge of the combustion box onto the self locating support at the base of the wall plate (Fig. 69).
2. Swing the top of the combustion box backwards against the top air box (Fig. 70).
3. Engage the two retaining latches and secure with the 'R' clips previously removed (Fig. 71).

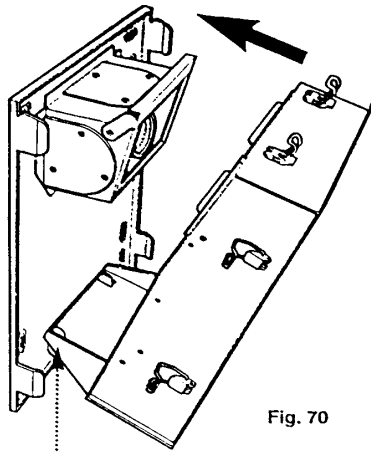


Fig. 70

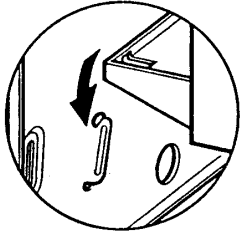


Fig. 69

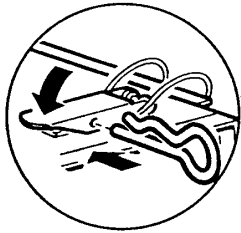
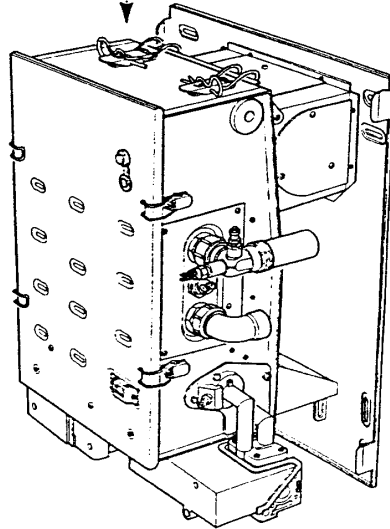
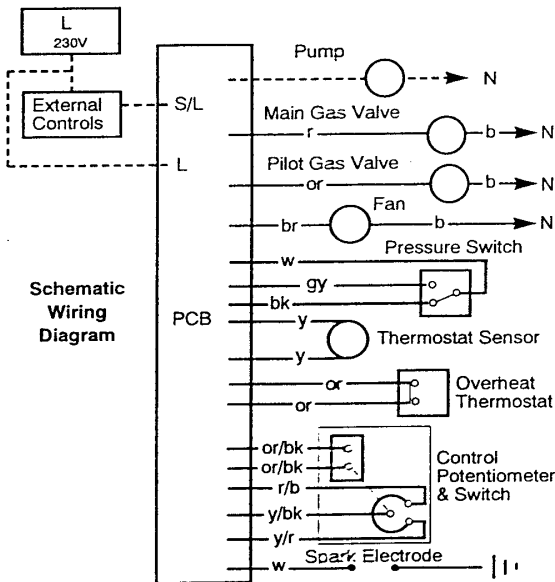
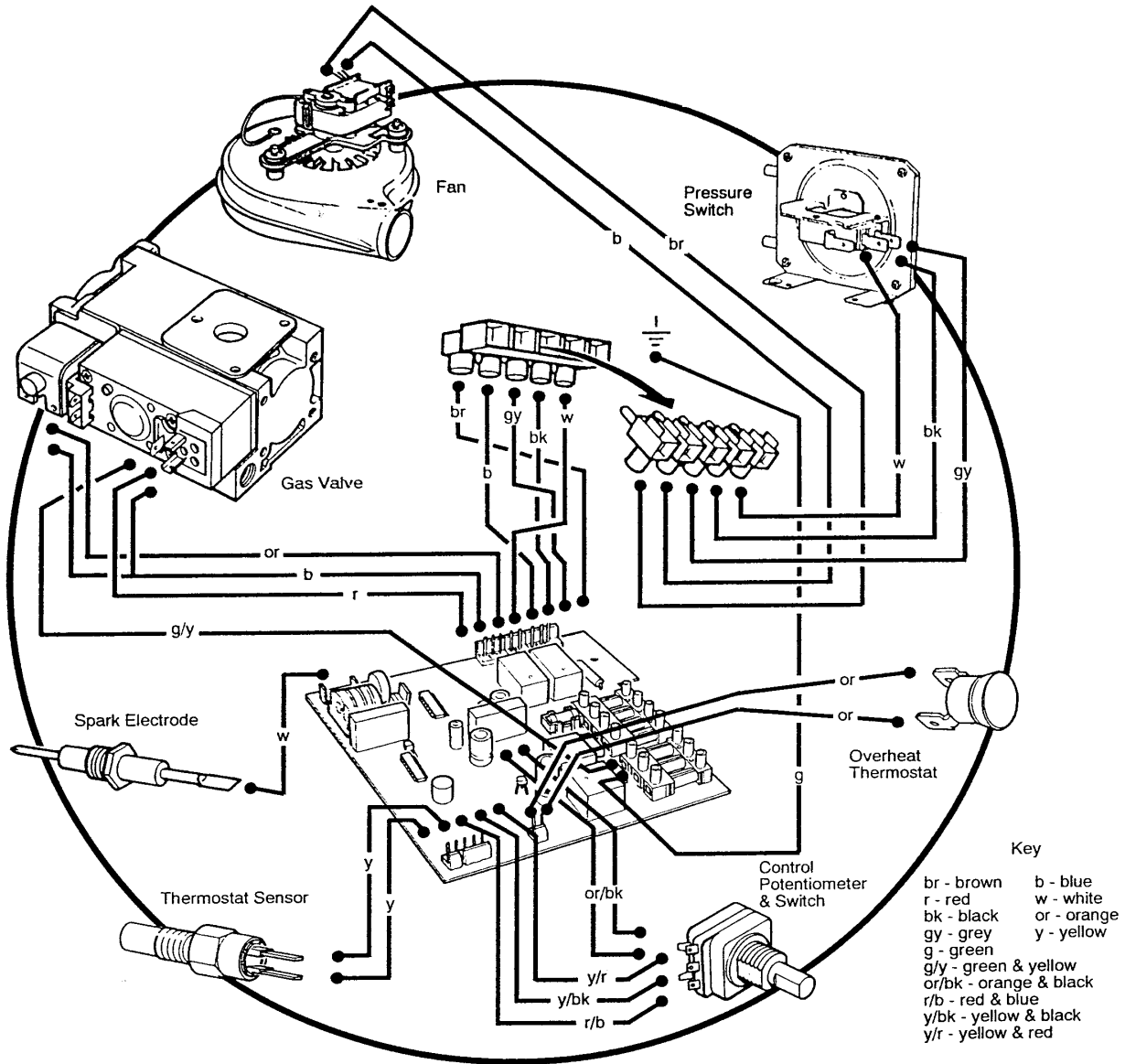


Fig. 71



5.17 Electrical Connections



**NOTE:** The method of connection to the electricity supply must facilitate complete electrical isolation of the appliance. Connection may be made via a fused double pole isolator with a contact separation of at least 3mm (1/8 in) in all poles and serving the appliance and system controls only. All cables should be routed to avoid hot surfaces.

**WARNING - THIS APPLIANCE MUST BE EARTHED.** 4 core input cable for connection to the appliance must be not less than 0.75mm<sup>2</sup> (24 x 0.2mm) PVC grade to IEC 227 code 53 (heat resisting). External controls and the appliance MUST be supplied via the same isolator.

**NOTE:** Polarity of the appliance MUST be correct otherwise the appliance will not operate correctly.

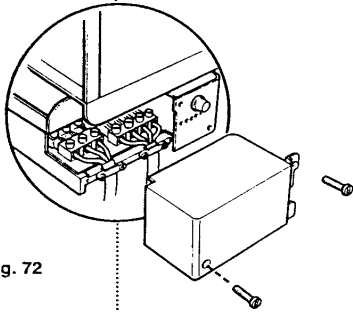
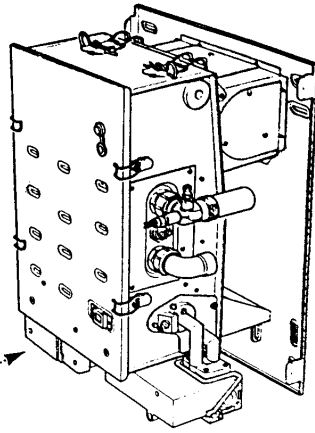


Fig. 72

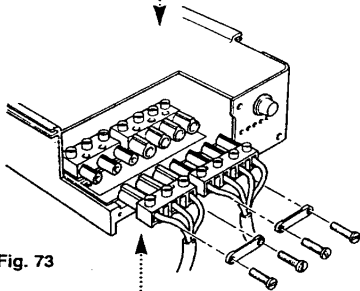


Fig. 73

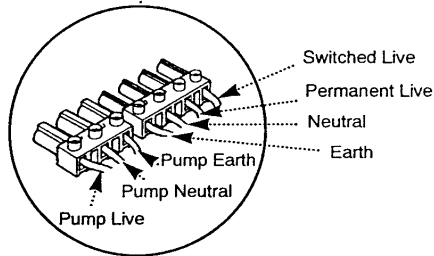


Fig. 74

### 5.18 Making the Electrical Connections

1. Remove the cover from the control box by removing the 2 screws (Fig. 72).
2. Slide the box forward for easier access.
3. The terminal strips may be removed by carefully pulling them forward. Connect the supply cable and the pump cable to the terminal strips (Fig. 74).

**IMPORTANT - When installing in conjunction with a thermal store or heat store please refer to the store manufacturers installation instructions when wiring the boiler.**

4. The pump must be connected to the boiler terminals.
5. A permanent live must be connected to the 'L' terminal.
6. The switched live must be connected to the 'S/L' terminal.
7. Clamp the cables in the grips provided. Ensure that the lengths of the supply cables are such that the current carrying wires become taut before the earth wires if the cable should pull out of the cable clamp (Fig. 73).
8. Tuck the cables under the box and clip to the wall where necessary. Make sure sufficient slack is left to allow the box to slide forward for future access.
9. A cable clip is provided in the base of the box.

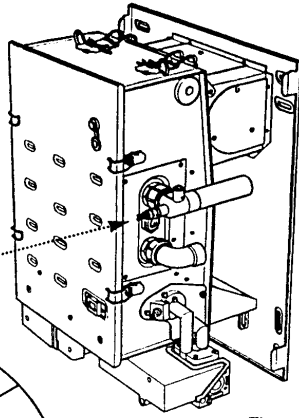


Fig. 75

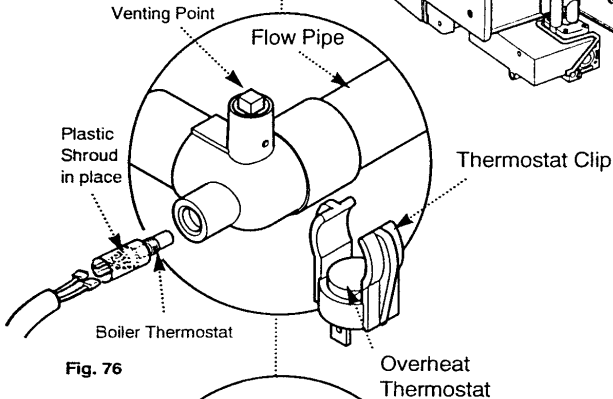


Fig. 76

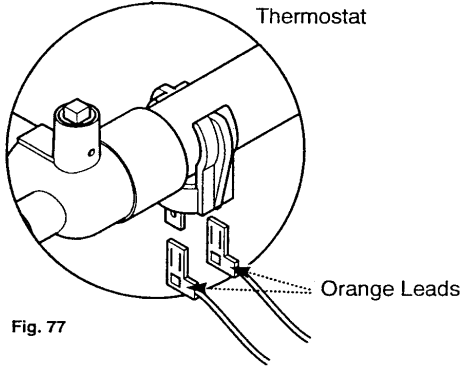


Fig. 77

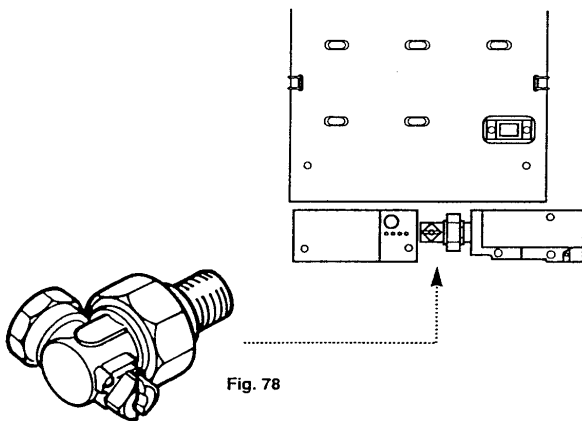


Fig. 78

### 5.19 Water Connections

1. The boiler has two side water connections, the top connection being FLOW and the bottom connection being RETURN (Fig. 75).
2. It is essential that FLOW and RETURN pipes are connected to the correct fittings.
3. The top flow connection incorporates the boiler thermostat, overheat thermostat and a venting point (Fig. 76).
4. A copper elbow, compression nut and olive are provided in the kit for the return connection.

**NOTE: Drain cocks should be fitted to all the system's low points.**

5. Connect the two electrical tags of the thermostat lead to the connections on the thermostat - either wire can be connected onto either connection -there is no polarity (Fig. 76).
6. Remove the overheat thermostat and clip from the plastic kit bag. Engage the thermostat in the clip as shown (Fig 76). Prise the clip over the flow pipe as near to the vent as possible (Fig. 76 & 77).
7. Connect the two electrical tags from the wiring harness to the terminals on the overheat thermostat (Fig.77) - either wire can be connected onto either terminal - there is no polarity.

### 5.20 Pipe Routes

1. Ensure that any pipework is routed so as to leave the boiler via the spaces at the rear of the outer case, either at the top or at the bottom.
2. Pipes may be dropped down within the outer case in the spaces between the back plate and the combustion box

**NOTE: it is important that the pipework does not interfere with the correct fitting of the outer case and a space of 14mm clearance must be left between any vertical pipes and the outer edge of the back plate.**

### 5.21 Gas Connection

1. Connection to the gas supply is R ½ ( ½ in BSPT internal) located at the rear of the gas cock-(Fig. 78).
2. When connecting the gas feed pipe, the control box may be pulled forward to give greater access.

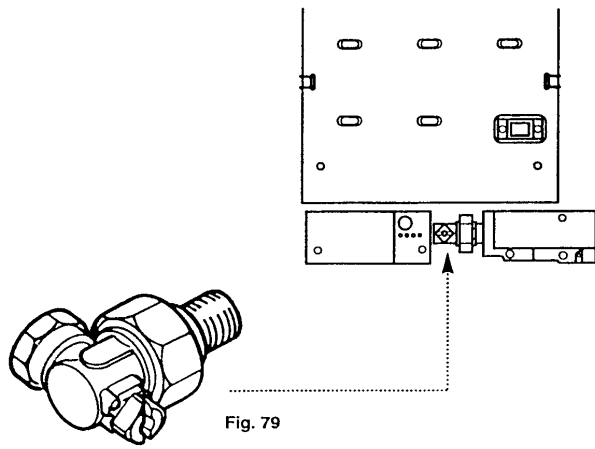
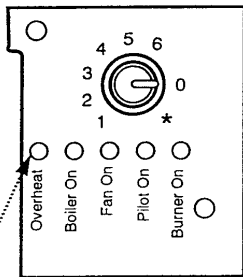
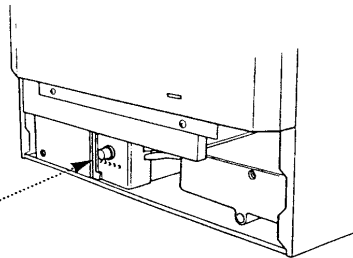


Fig. 79



Overheat Neon Warning

Fig. 80

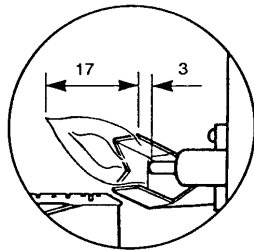


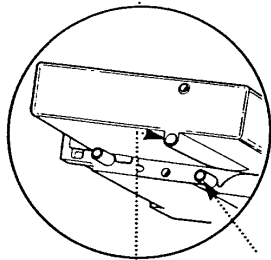
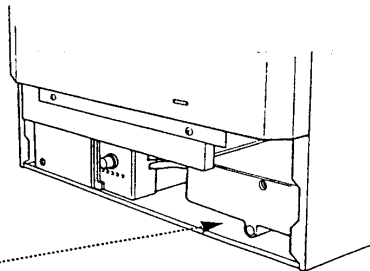
Fig. 81

### 6.1 Commissioning the Appliance

1. Flush the whole system in accordance with BS 5793:1992 (see Section 3.1 Water Circulating Systems). Check for water leaks.
2. Purge away air from the supply pipe at the gas service cock. (BS 6891: 1988) (Fig. 79).
3. Ensure that the electrical supply is isolated.
4. Check the electrical supply for earth continuity, polarity, short circuit and resistance to earth.
5. Turn the gas service cock anti-clockwise to the ON position and check for gas soundness up to the gas valve.
6. Loosen the pressure test point screw on the right hand side of the gas control valve (there is no need to completely remove this screw to obtain a pressure reading) and connect a pressure gauge.
7. Turn the boiler thermostat control knob fully anti-clockwise to the OFF position marked 0 (Fig. 80).
8. Ensure that the electricity supply is turned ON and set any external controls to the ON position.
9. Turn the boiler thermostat knob fully clockwise.
10. The fan will start running and after approximately 5 seconds, the ignition spark will commence. (**NOTE:** This may increase up to 1 minute in extremely cold weather).
11. The sparking will continue until the pilot light is established (Fig. 81) and then the main burner will light from the pilot flame.
12. Check that both the main burner and the pilot are alight by observing through the viewing window. The indicator lights should also be illuminated.
13. Should this sequence not occur, then refer to the fault finding section of these instructions.

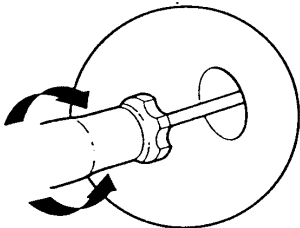
**NOTE: The pilot rate for this appliance is factory set, sealed and therefore non adjustable.**

Model		Input		Setting Pressure	
		kW	Btu/h	mbar	in wg
30	Maximum	10.99	37,500	16.0 ± 0.5	6.4 ± 0.2
	Minimum	7.33	25,000	8.0 ± 0.5	3.2 ± 0.2
40	Maximum	14.65	50,000	16.0 ± 0.5	6.4 ± 0.2
	Minimum	11.36	38,750	10.0 ± 0.5	4.0 ± 0.2
50	Maximum	18.32	62,500	16.0 ± 0.5	6.4 ± 0.2
	Minimum	15.02	51,250	11.5 ± 0.5	4.4 ± 0.2
60	Maximum	21.98	75,000	16.0 ± 0.5	6.4 ± 0.2
	Minimum	18.68	63,750	11.5 ± 0.5	4.4 ± 0.2
70	Maximum	25.64	87,500	16.0 ± 0.5	6.4 ± 0.2
	Minimum	22.35	76,250	12.16 ± 0.5	4.8 ± 0.2
80	Maximum	29.31	100,000	16.0 ± 0.5	6.4 ± 0.2
	Minimum	22.35	76,250	9.5 ± 0.5	3.8 ± 0.2



Burner Pressure Test Point

Fig. 82



Regulator

6.1 Commissioning the Appliance (Cont)

1. From the table opposite check that the main burner pressure is correct after the appliance has been running for 10 minutes.
2. Check for gas soundness, with main burner alight, using leak detection fluid.
3. If necessary, adjustment to main burner pressure can be made by altering the regulator as shown (Fig. 82).
4. To alter the burner pressure, turn the adjustment screw in either direction until the required pressure is obtained.
5. Turn the boiler thermostat to the OFF position marked 0. Screw home the pressure test point screw. Turn the boiler thermostat knob to the required setting.

6. The boiler and system should be run and then flushed and treated in accordance with BS 5793:1992 and the flushing agent/inhibitor manufacturers instructions. When all the air has been removed from the water circuit, the pump and radiators should be balanced to achieve the design temperature drop across the system.

7. Make a final check for gas soundness and set any timer control, room thermostats etc. to the customer's specific requirements.

8. The boiler is protected by an integral frost-stat, but if the boiler is not to be used for a long period of time, the system should be drained.

**NOTE:** The frost thermostat operates even if the boiler thermostat is in the OFF position and it is necessary therefore, if the system is drained, for the external electrical and gas supplies to be isolated.

It is recommended that a label be affixed to the appliance to draw attention to the fact that the system has been drained.

**WARNING** - If the system is filled with very cold water and the boiler lit, the action of the frost protection thermostat will prevent the boiler from shutting down before the water temperature reaches 10°C.



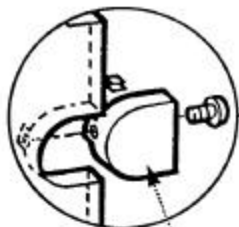


Fig. 83 Infill Panel

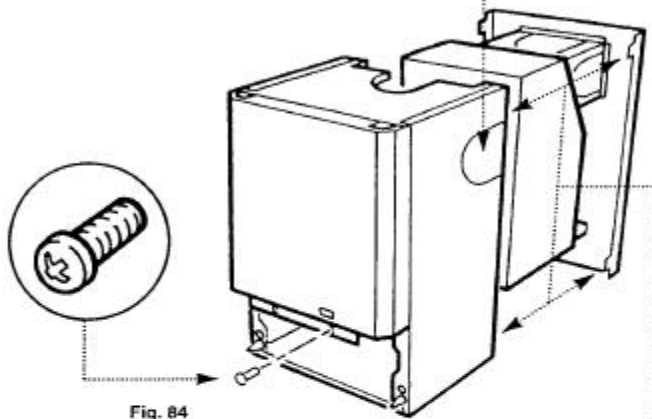


Fig. 84



Fig. 85



Fig. 86

### 7.1 Fitting the Outer Case

1. The warning label may be removed unless the boiler is to be fitted within a cupboard.
2. Taking the ready assembled outer case, the front door of which has already been removed, proceed as follows:
3. If the appliance is flued to the left or to the right, remove the relevant infill panel by removing the retaining clips and fixing screws (Fig. 83).
4. Offer the outer case up to the hooks on the top of the back plate (Fig. 85).
5. Ensure that the outer case is located over the lower tabs on the back plate on both sides (Fig. 86).
6. Using the two screws previously removed, secure the outer case to the combustion box (Fig. 84).
7. Replace the lower front door panel.
8. Instruct the user in the operation of the boiler controls. Hand over both the Users Operating and Installation Instructions giving advice on the necessity of regular servicing.

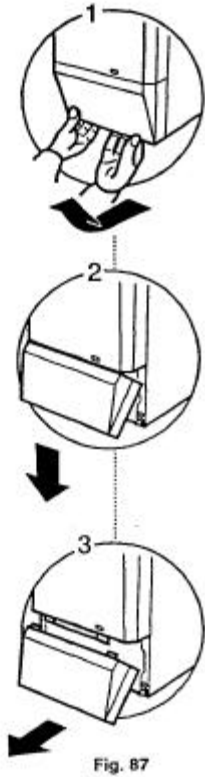


Fig. 87

8.1 Operation

1. The overheat cut-off device is of the manual reset type and therefore It is important that the user knows how to reset the control should it ever cut out.

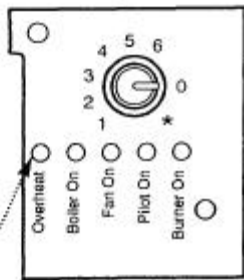
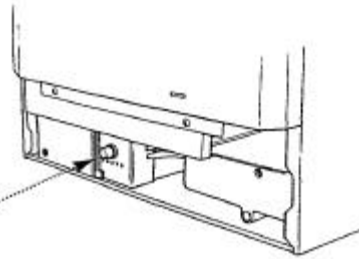
**NOTE: Cut-out is indicated by illumination of the neon light on the control box.**

2. Remove the lower door panel by following the sequence of diagrams (Fig 87).

3. **To reset the boiler** - Turn the boiler thermostat control knob fully anti-clockwise to the OFF position marked '0' (Fig. 88). Wait ten seconds, turn the control knob clockwise to the required thermostat setting, the red neon goes out, the boiler will start automatically.

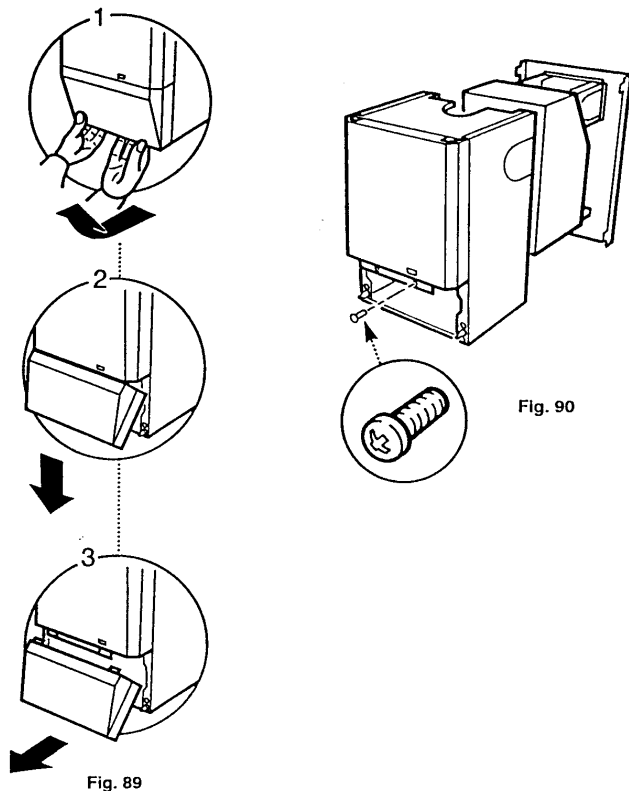
4. No adjustment to the gas controls or main thermostat are required.

5. If the overheat thermostat drops out repeatedly, refer to the fault finding chart at the rear of this booklet or consult a competent service engineer.



Overheat Neon Warning

Fig. 88



### 9.1 Dismantling the Boiler

1. To ensure its continued safe and efficient operation, it is important that the appliance is regularly serviced. (For location of British Gas service test point see Changing Components section of these instructions).

2. Before servicing the boiler please read Section 1.3 Important Information.

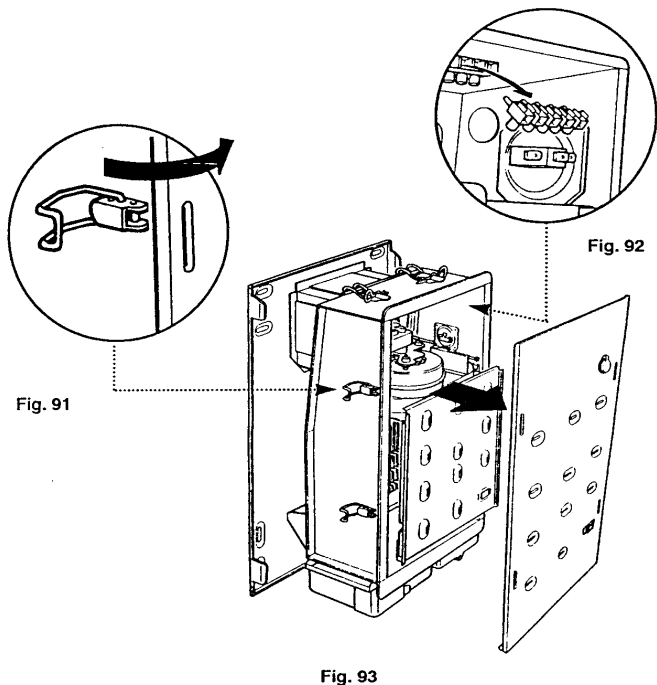
3. Isolate the electrical supply to the boiler.

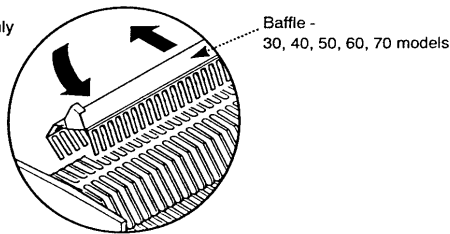
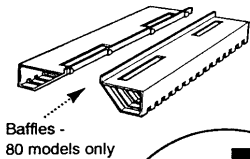
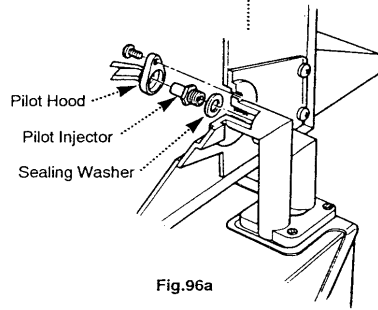
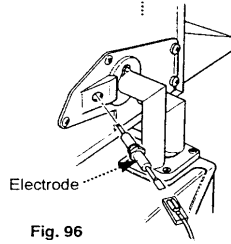
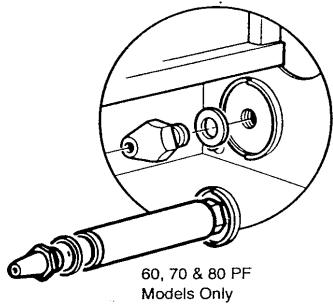
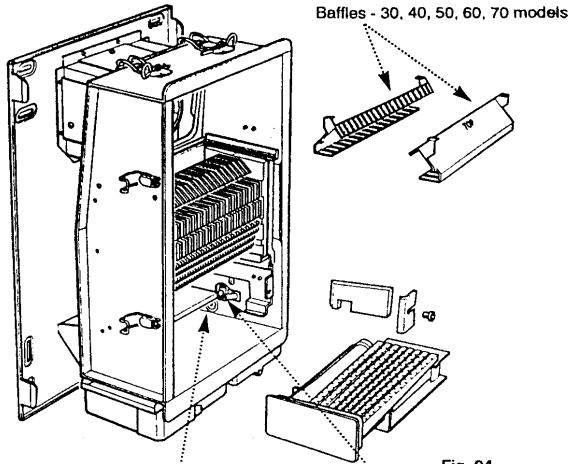
4. Remove the outer case lower door panel by following the sequence of diagrams (Fig. 89).

5. Remove the outer case from the boiler by unscrewing the two screws and lift the case clear (Fig. 90).

6. Release the four latches holding the combustion box door (Fig. 91). Remove the combustion box door by pulling forward from the bottom and unhooking its top edge (Fig. 93).

7. Release the 5-pin electrical plug connecting the pressure switch and fan (Fig. 92). Withdraw the fan assembly by pulling forwards from the top edge (Fig. 93).





### 9.2 Cleaning the Combustion Box

1. Remove the burner assembly by pulling it forward (Fig. 94).
2. Lightly brush any dirt from the top of the burner blades and ensure that the ports are free from obstruction.
3. Lift the baffles out of the heat exchanger, using the corner tabs on 30,40,50,60,70 models (Fig. 94).

### 9.3 Cleaning the Heat Exchanger

1. The heat exchanger may be cleaned by insertion of a thin metal strip e.g. a hack saw blade or steel rule, from above or below, taking care not to damage any insulation.
2. Clean the front and rear fin sections and ensure that any blockages are cleared.

### 9.4 Cleaning the Burner injector

1. Remove the injector which is screwed into the burner feed manifold (Fig. 95).
2. Examine and clean carefully, then replace ensuring that the copper washer is in position. Tighten the injector fully.

### 9.5 Cleaning the Pilot

1. Disconnect the spark electrode lead at the electrode (Fig. 96).
2. Unscrew the electrode from the manifold and withdraw the electrode (Fig. 96).
3. Remove the right hand side insulation carrier bracket by releasing the screw. Remove the side insulation (Fig. 94).
4. Release the screw securing the pilot hood and remove (Fig. 96a).
5. Carefully remove the pilot injector (Fig. 96a). Examine and clean it as necessary. Do not use a wire or pin to clean the injector orifice.
6. Examine the sealing washer (Fig. 96a) and replace if it is damaged in any way. Reassemble in reverse order.
7. Replace all components in reverse order, (On 30,40,50,60,70 models refit the rear baffle by holding it at an angle and locating the lower fingers between the heat exchanger and rear insulation. Lower it into position as shown) (Fig. 97).
8. Check that the seal to the combustion box door is good.
9. Re-commission the boiler before use, checking for gas soundness and ensuring all controls are working correctly.

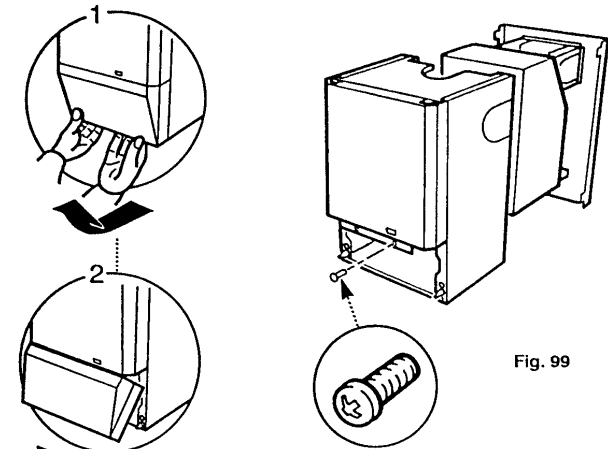


Fig. 99

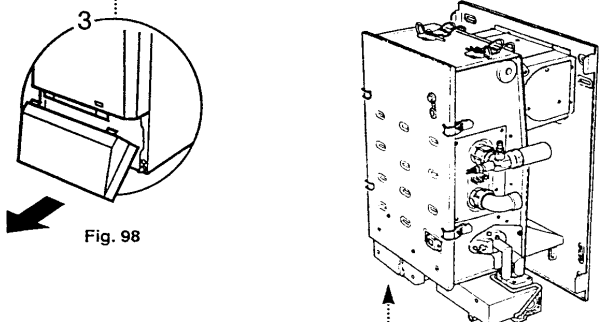


Fig. 98

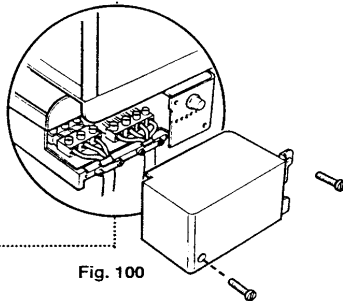
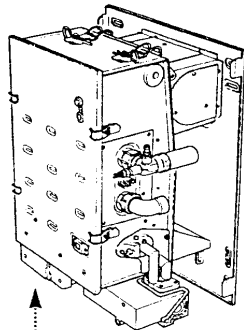


Fig. 100

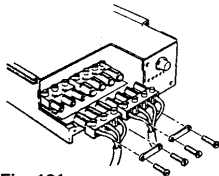


Fig. 101

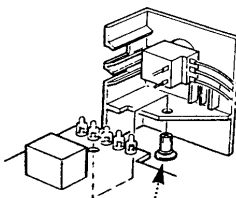
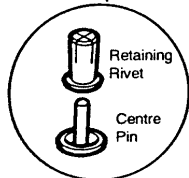


Fig. 102



Retaining Rivet  
Centre Pin

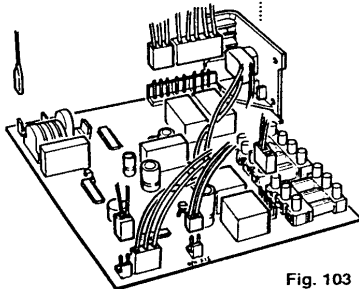


Fig. 103

### 10.1 Changing Components

1. When changing components ensure that the gas and electrical supplies are isolated before the work is started.
2. Before changing any components please read Section 1.3 Important Information.
3. Remove the outer case lower door panel (Fig. 98).
4. Remove the outer case from the boiler by unscrewing the two screws and lift the case clear (Fig 99).

### 10.2 Replacing the Circuit Board

1. Ensure that the electrical supply is isolated.
2. Remove the cover from the front of the controls box (Fig. 100).
3. Release the mains cables from the cable clamps and unplug the mains connection blocks from the circuit board (Fig. 101).
4. Remove the screw retaining the thermostat control panel and slide the circuit board from the box.
5. Carefully withdraw the centre pin from the retaining rivet which then allows the retaining rivet to be removed. Remove the thermostat control panel (Fig. 102). (On reassembling ensure the control panel is located over the retaining rivet body before inserting the centre pin.)
6. Disconnect the plugs from the sockets on the circuit board (Fig. 103).
7. Replace new circuit board in reverse order checking that the connections are correct as shown in the diagram (See Electrical Connections section 5.17 of these instructions) and that the harness is retained in the strain reliefs.

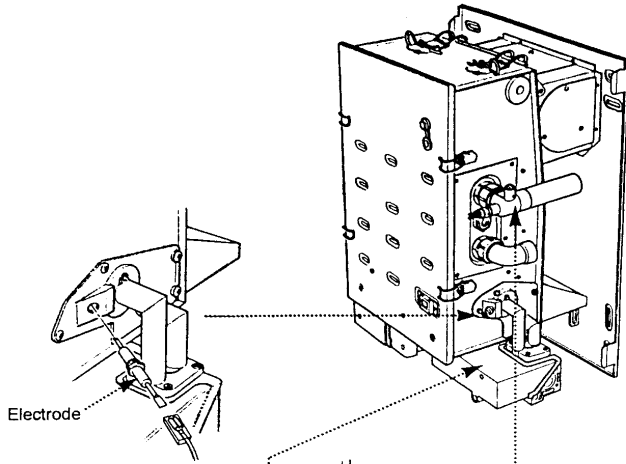


Fig. 104

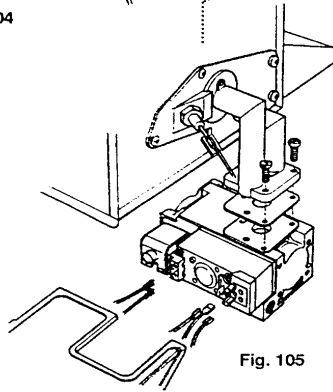


Fig. 105

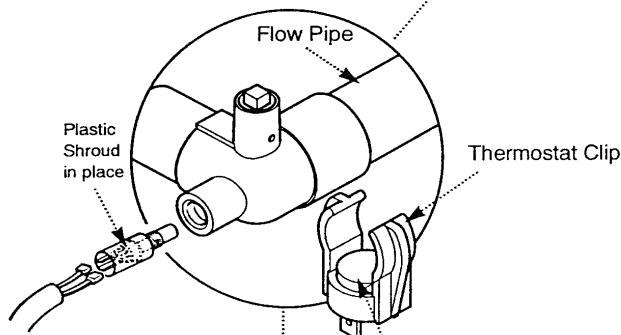


Fig. 106

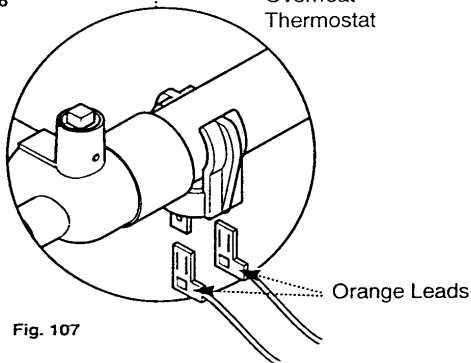


Fig. 107

### 10.3 Ignition Electrode (Fig. 104)

1. Disconnect the spark electrode lead at the electrode.
2. Unscrew the electrode from the manifold and withdraw the electrode.
3. Replace the new electrode in reverse order, ensuring that the sleeving is pushed over the end of the electrode.

### 10.4 Gas Valve (Fig. 105)

1. Disconnect the inlet gas cock union.
2. Remove the cover from the front face of the gas valve and remove the electrical connections from the tags on the gas valve.
3. Disconnect the gas valve by unscrewing the three screws on the top face of the gas manifold. If access to these screws is difficult the valve can be removed with the manifold.
4. Remove the gas valve being careful not to damage the gasket.
5. Fit the new gas valve by re-assembling all components in reverse order, ensuring that the gasket is properly positioned.

### 10.5 Thermostat Sensor (Fig. 106)

1. Disconnect the two electrical tags from the sensor.
2. Unscrew the sensor from the top flow water connection.
3. Screw in the new sensor with the plastic shroud in place as a cover guard. Make sure that the sensor is fully tightened into the top flow water connection and connect the two electrical tags - either wire can be connected onto either connection - there is no polarity.

### 10.6 Over-Heat Thermostat (Figs.106 & 107)

1. Disconnect the two electrical tags from the overheat thermostat.
2. Remove the clip and thermostat from the pipe, noting its position. Remove the retaining 'O' ring if one is fitted and discard, disengage the thermostat from the clip. If the clip is a metal one, discard and use the plastic clip supplied in the kit.
3. Engage the new thermostat in the clip. Prise the clip over the flow pipe ensuring it is positioned as previously. Connect the two electrical tags to the terminals on the overheat thermostat - either wire can be connected onto either terminal - there is no polarity.

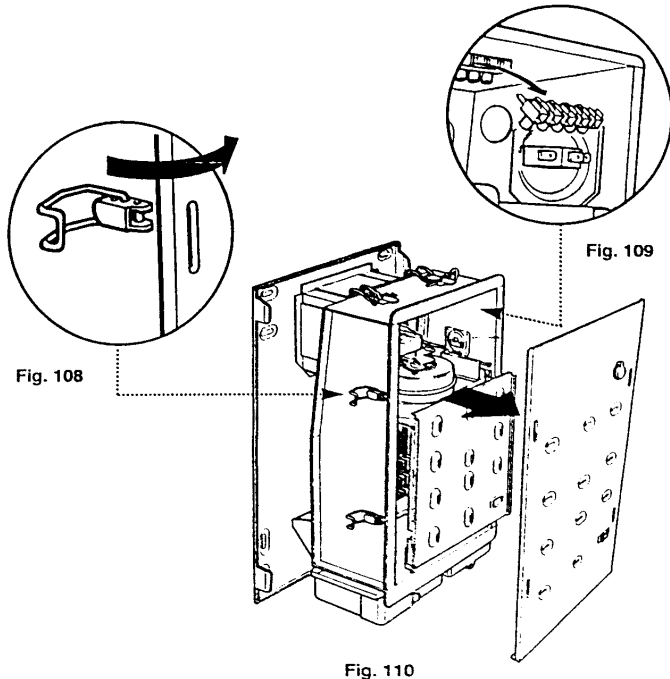


Fig. 110

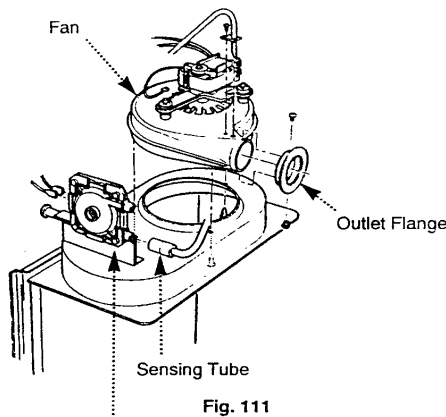


Fig. 111

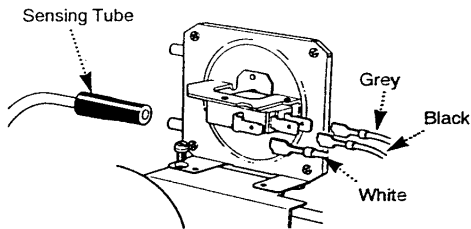


Fig. 112

**10.7 Changing Components (Cont)**

1. To change Fan. Pressure Switch - Burner - Burner Injector - Pilot Burner Injector – Gas Manifold, proceed as follows:-

2. Release the four latches holding the combustion box door (Fig. 108). Remove the combustion box door by pulling forward from the bottom and unhooking its top edge (Fig. 110).

3. Release the 5-pin electrical plug connecting the pressure switch and fan (Fig. 109). Withdraw the fan assembly by pulling forwards from the top edge (Fig. 110).

**10.8 Fan (Fig.111)**

**IMPORTANT - 80 PF Models Only. On appliances up to serial n° 8999 use replacement fan Baxi Part N° 229422 G.C.N° 364 979. From serial n° 9000 use replacement fan Baxi Part N° 237578 G.C.N° 170 615.**

1. Disconnect sensing probe from the pressure switch at rubber tube connector.

2. Disconnect the 2 fan wires from the connection on the electrical plug. Unscrew bracket securing sensing probe into top of fan and remove the sensing probe. Remove the 3 screws securing the fan to the fan hood.

3. Remove the two screws securing the fan outlet flange to the fan and remove. Clean all sealing mastic from the outlet flange.

4. Fit the outlet flange onto the new fan, fix with the 2 screws and seal the outside gap between the fan body and the outlet fan with the mastic provided.

5. Fit the new fan and re-assemble all components in reverse order of dismantling, reconnect the new fan wires into the connections on the electrical plug - either wire can be connected into either connection.

**10.9 Pressure Switch (Fig 112)**

1. Disconnect sensing tube.

2. Remove the screw securing the pressure switch to its bracket and unhook the pressure switch.

3. Disconnect the 3 electrical terminals from the pressure switch. Note the position of the tags before removal and reconnect in correct order.

4. Fit new pressure switch and re-assemble all components in reverse order of dismantling ensuring that the electrical terminals are connected to their correspondingly marked tags.

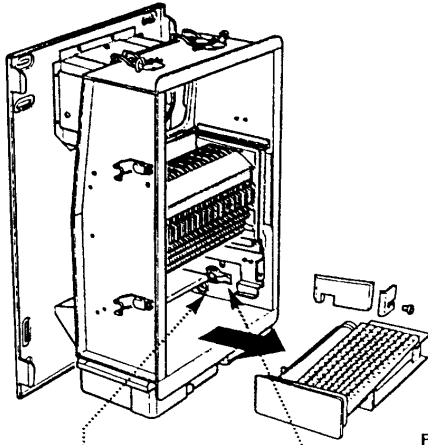


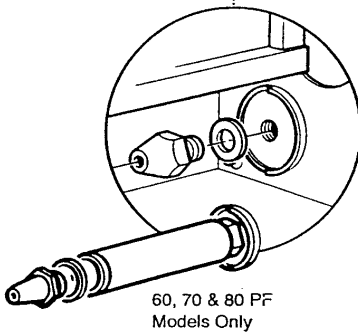
Fig. 113

**10.10 Burner (Fig. 113)**

1. Remove the burner assembly, by pulling it forward.
2. Fit new burner and re-assemble all components in reverse order of dismantling.

**10.11 Burner Injector (Fig. 114)**

1. Release and remove the burner injector which is screwed into the burner feed manifold.
2. Fit the new burner injector ensuring that the copper washer is in position. Tighten the injector fully.
3. Re-assemble all components in reverse order.



60, 70 & 80 PF Models Only

Fig. 114

**10.12 Pilot Burner Injector (Fig. 115)**

1. Remove the right hand side insulation carrier bracket by releasing the screw. Remove the side insulation panel.
2. Release the screw securing the pilot hood and remove. Carefully remove the pilot injector. Fit the new pilot injector ensuring the new sealing washer is in position. Tighten the injector fully.
3. Re-assemble all components in reverse order.

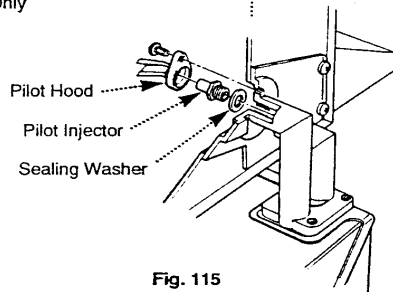


Fig. 115

**10.13 Gas Manifold (Fig. 116)**

1. Remove the right hand side insulation carrier bracket by releasing the screw. Remove the side insulation panel (Fig. 113).
2. Remove the two screws securing the manifold from the inside of the combustion box and slide the manifold forward from under the two rear locating studs.
3. Remove valve and ancillary components from manifolds as necessary.
4. Replace all ancillary components onto manifold and replace manifold by sliding rear edge backwards under the two rear locating studs and securing from inside the combustion box using the two screws previously removed. Ensure that the sealing gasket is properly positioned and undamaged.

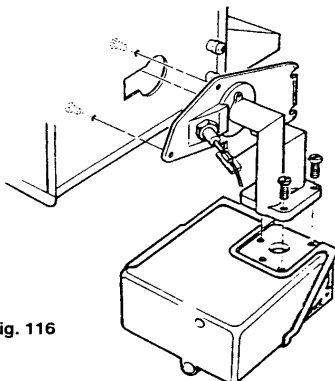
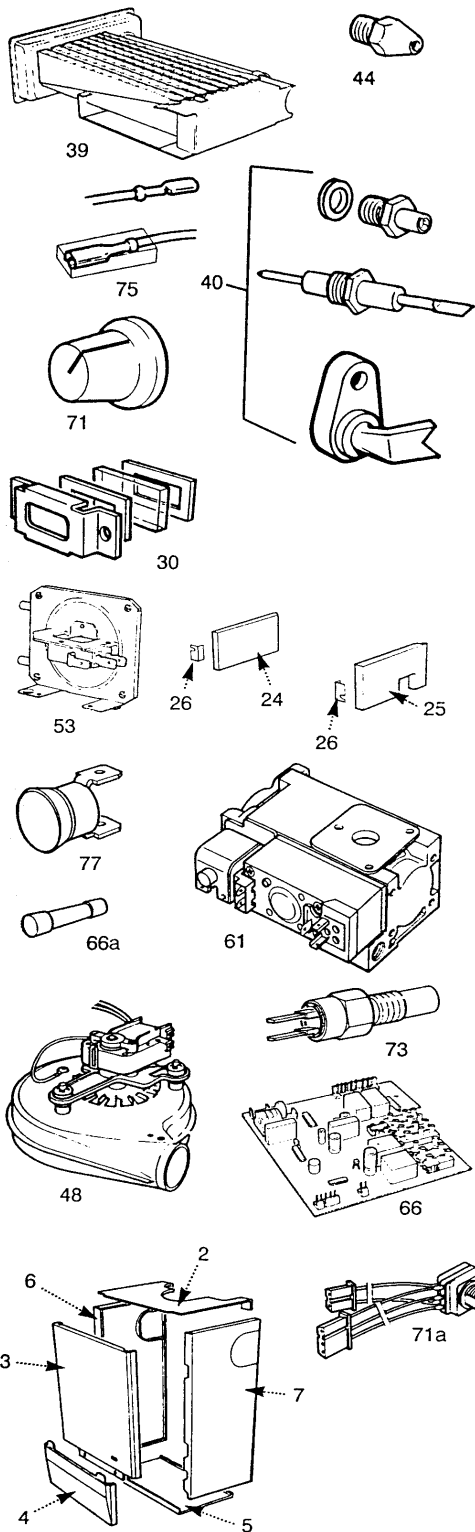


Fig. 116



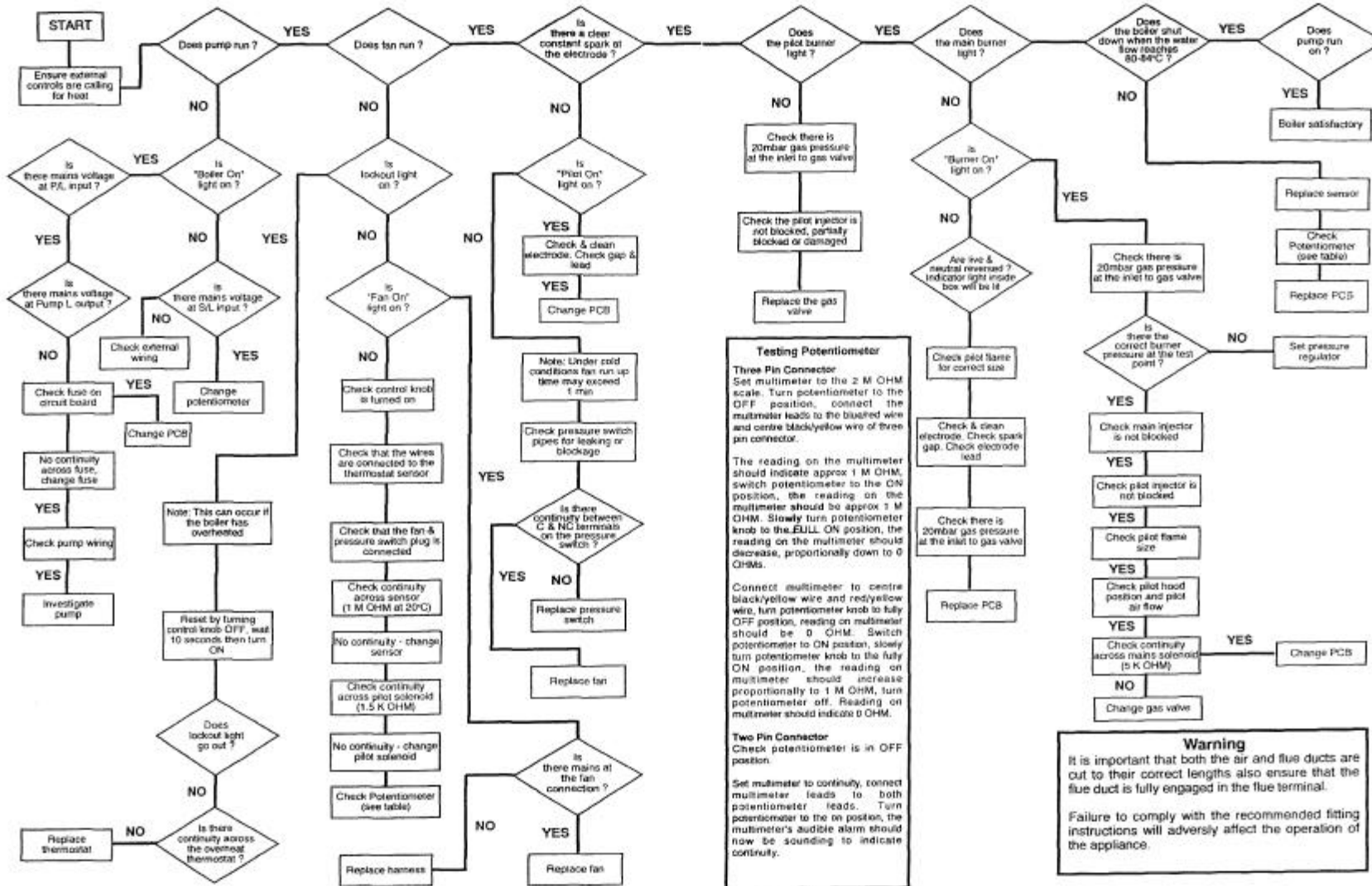
11.1 Short Parts List



Key No.	Description	Model	G.C. No.	Manufacturers Part No.
39	Burner	30-40-50	364 878	231708
		60-70-80	364 879	231709
44	Burner Injector	30	364 880	231354
		40	364 881	231355
		50	364 882	228104
		60	364 873	231776
		70	E01 623	239619
		80	364 981	231777
40	Ignition Pilot Kit	All Models	170 558	236142
75	Electrode Lead	All Models	364 745	225826
71	Control Knob	All Models	364 886	230981
30	Viewing Window Kit	All Models	364 588	224183
53	Pressure Switch	All Models	379 033	230068
25	Insulation R.H.	All Models	364 889	230653
24	Insulation L.H.	All Models	364 890	230652
26	Retaining Brackets	All Models	364 891	230817
61	Control Valve	All Models	379 202	231857
77	Overheat Thermostat	All Models	E03 921	241792
66a	Fuse	All Models	364 892	231402
48	Fan	30-40-50-60		229421
		80 up to serial n° 8999	364 979	229422
		after serial n° 9000	170 615	237578
		70 from serial n° 0001	170 615	237578
73	Thermostat Sensor	All Models	379 030	230204
66	Control Board	All Models	379 031	231711
2	Panel Top	30-40-50	364 893	230442
		60-70-80	364 894	230863
3	Panel Upper	30-40-50	364 895	230443
		60-70-80	170 602	229428
4	Panel Lower	30-40-50	364 897	231406
		60-70-80	364 898	231429
5	Panel Bottom	30-40-50	364 899	230446
		60-70-80	364 900	230868
6	Panel LH.	All Models	364 901	230439
7	Panel RH.	All Models	364 902	230951
71a	Potentiometer & Leads	All Models	379 960	231252

## 2.0 Fault Finding – Page 42 and 43

Before starting FAULT FINDING carry out preliminary electrical system checks i.e. Earth Continuity, Polarity, Short Circuit and Resistance to Earth.



lick here for Helplines