

# Baxi Boston 2 RS

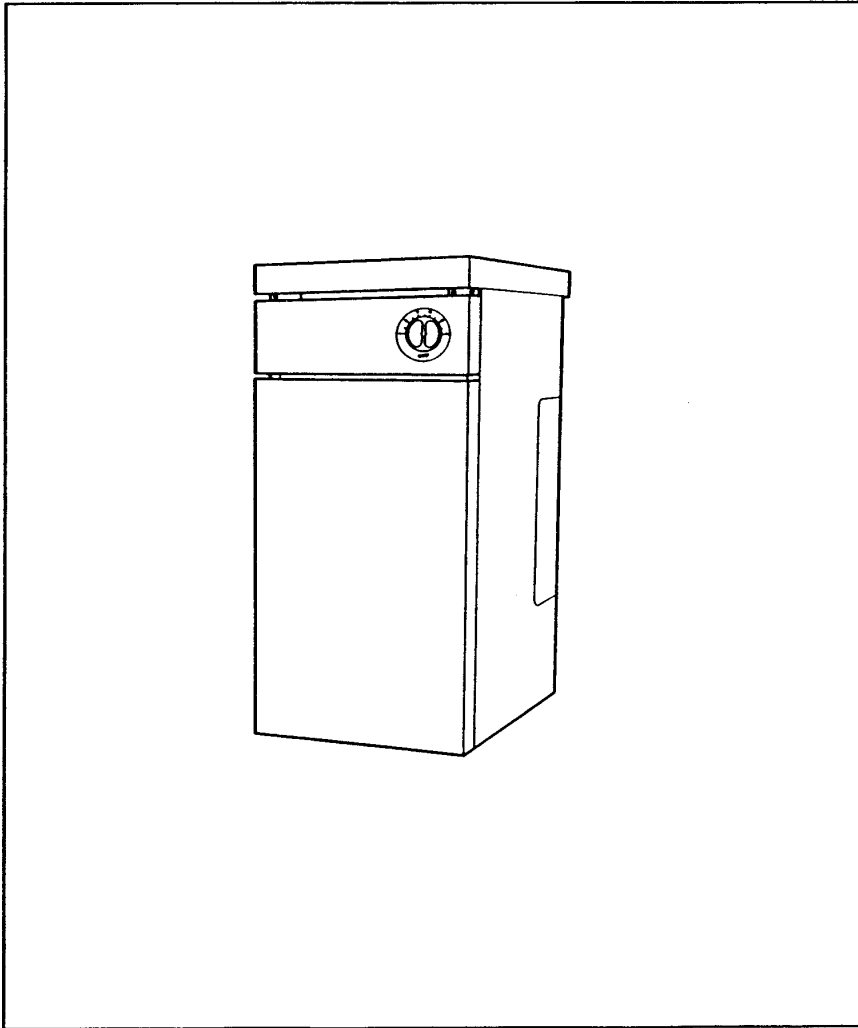
Please leave these instructions with the user

## Floor Standing Room Sealed Gas Fired Central Heating Boilers

Comp No 235322 – Iss 5 – 6/00

---

### Installation and Servicing Instructions



**BAXI**

---

## Natural Gas

**Baxi Boston 2 80 RS**  
G.C.Nº. 41 077 89

**Baxi Boston 2 70 RS**  
G.C.Nº. 41 077 88

**Baxi Boston 2 60 RS**  
G.C.Nº. 41 077 87

**Baxi Boston 2 50 RS**  
G.C.Nº. 41 077 86

**Baxi Boston 2 40 RS**  
G.C.Nº. 41 077 85

Baxi UK Limited is one of the leading manufacturers of domestic heating products in the UK.

Our first priority is to give a high quality service to our customers. Quality is built into every Baxi product -products which fulfil the demands and needs of customers, offering choice, efficiency and reliability.

To keep ahead of changing trends, we have made a commitment to develop new ideas using the latest technology - with the aim of continuing to make the products that customers want to buy.

Baxi is also the largest manufacturing partnership in the country. Everyone who works at the company has a commitment to quality because, as shareholders, we know that satisfied customers mean continued success.

We hope you get a satisfactory service from Baxi. If not, please let us know.



Baxi is a BS-EN ISO 9001 Accredited Company

## INTRODUCTION

The Boston 2 RS is a range of Floor Standing Room Sealed Boilers. There is a choice of outputs listed below:

BOILER TYPE	HEAT OUTPUT	
	kW	Btu/h
80 RS	20.81 to 23.45	71,000 to 80,000
70 RS	17.88 to 20.51	61,000 to 70,000
60 RS	14.95 to 17.58	51,000 to 60,000
50 RS	12.02 to 14.65	41,000 to 50,000
40 RS	9.08 to 11.72	31,000 to 40,000

The boilers share a common outer case within which there is adequate space to fit a central heating pump using standard fittings. An under work surface top panel is supplied with the boiler to enable the unit to be fitted under a work top. The pump cannot be fitted in the case in this type of application (See PUMP).

**All appliances are designed for use on Gas Type G20 (Natural Gas) only, at supply pressure 20 mb.**

Each appliance consists essentially of three components, namely:

1. COMBUSTION CHAMBER with heat exchanger, burner, controls and inlet of air duct.
2. OUTER CASE.
3. BALANCED FLUE TERMINAL.

### “Benchmark” Log Book

As part of the industry-wide “Benchmark” initiative all Baxi boilers now include an Installation, Commissioning and Service Record Log Book. Please read the Log Book carefully and complete all sections relevant to the appliance and installation. These include sections on the type of controls employed, flushing the system, burner operating pressure etc. The details of the Log Book will be required in the event of any warranty work. Also, there is a section to be completed at each subsequent regular service visit.

The boilers listed below meet requirements of Statutory Instrument ‘The Boiler (Efficiency) Regulations 1993 No 3083’ and therefore are deemed to meet the requirements of Directive 92/42/EEc on the efficiency requirements for new hot water boilers fired with liquid or gaseous fuels.

**Boston 2 - 80 RS - G.C.Nº 41 07789**  
**Boston 2 - 70 RS - G.C.Nº 41 07788**  
**Boston 2 - 60 RS - G.C.Nº 41 077 87**  
**Boston 2 - 50 RS - G.C.Nº 41 07786**  
**Boston 2 - 40 RS - G.C.Nº 41 07785**

Type test for the purposes of Regulation 5 certified by:

**NOTIFIED BODY 0086**

Product/production certified by:

**NOTIFIED BODY 0086**

# Installation Requirements – page 3

## GENERAL

The installation must be carried out by a Corgi Registered Installer or other competent person and be in accordance with relevant BS Codes of Practice, I.E.E. Regulations, Gas Safety Regulations, Building Regulations and by-laws of the Local Water Undertaking. References should be made to BS 6891, BS 6798, BS 5440 Pt 1 & 2, BS 5449, BS 5546 and BS 1363.

## IMPORTANT INFORMATION

This product contains Refractory Ceramic Fibres (R.C.F.) which are man-made vitreous silicate fibres. Excessive exposure to these materials may cause temporary irritation to eyes, skin and respiratory tract. Care must be taken when handling these articles to ensure the release of dust or fibres is kept to a minimum. To ensure that the release of fibres from these articles is kept to a minimum, during installation and servicing it is recommended that a H.E.P.A. filtered vacuum is used to remove any dust, soot or other debris accumulated in and around the appliance. This should be performed before and after working on the installation. It is recommended that any replaced item(s) are not broken up but sealed within heavy duty polythene bags and clearly labelled "R.C.F. waste". This is not classified as "hazardous waste" and may be disposed of at a tipping site licensed for the disposal of industrial waste. Protective clothing is not required when handling these articles but it is recommended that gloves are worn and the normal hygiene rules of not smoking, eating or drinking in the work area are followed and always wash hands before eating or drinking.

## SITING

The boiler must be fitted on a suitable outside wall, the position permitting a satisfactory flue location and an adequate air supply.

A new or existing cupboard or compartment used to enclose the boiler must be constructed specifically for this purpose.

**Details of essential features of cupboard! Compartment design are given in BS 5440:2.**

## CLEARANCES

for air movement, case removal and spanner access.

When Free Standing	
ABOVE OUTER CASE TOP	13mm (1/2 in)
SIDES	No Clearance Necessary
When Under Work Top	
ABOVE OPTIONAL TOP PANEL	25mm (1 in)
SIDES	10mm (3/8 in) each side
When under work top minimum height to underside of work top - 875mm (34 1/2 in)	

## TERMINAL GUARD

When codes of practice dictate the use of a terminal guard, they can be obtained from most plumbers and builders merchants nationwide.

When ordering a terminal guard, quote the appliance model number.

The guard manufacturers listed below can be contacted for terminal sizes and guard model numbers.

Quinnell, Barrett & Quinnell,  
884 Old Kent Road,  
London, SE15 1NL.  
Tel: 0171 639 1357.

Tower Flue Components Ltd.,  
Tower House, Vale Rise,  
Tonbridge, Kent.  
Tel: 01732 351555.

## VENTILATION

**Detailed recommendations for air supply are given in BS 5440:2.**

The room in which the boiler is installed does not require a purpose provided air vent. When the boiler is installed in a purpose made cupboard, air vents are required (for cooling purposes) at high and low level. These vents may communicate with a room or direct to outside air.

The minimum effective area requirements of cupboard/compartment air vents are as follows:

APPLIANCE	POSITION OF AIR VENT	AIR FROM ROOM		AIR DIRECT FROM OUTSIDE	
		cm <sup>2</sup>	in <sup>2</sup>	cm <sup>2</sup>	in <sup>2</sup>
80 RS	HIGH AND	271	42	136	21
70 RS		235	36	118	18
60 RS	LOW LEVEL	207	32	104	16
50 RS		176	27	88	14
40 RS		141	22	71	11

## FLUE ARRANGEMENT

A range of flue ducts is available to suit different wall thicknesses.

### Wall thickness

- 1) **286mm (11 1/4 in) to 371mm (14 5/8 in).** This is the standard length supplied with the boiler.
- 2) **108mm (4 1/4 in) to 286mm (11 1/4 in).** When using this flue duct both the outer and inner ducts on the flue terminal must be shortened when the wall thickness is less than 200mm (7 7/8 in).
- 3) **371mm (14 5/8 in) to 457mm (18 in)** long flue kit.

The Balanced Flue Terminal is designed such that it must be fitted from inside the building.

- 1) The air inlet/products ducts must be square and horizontal to the inner wall face.
- 2) The hole size required for the flue is: 275mm (10 7/8 in) wide x 345mm (13 5/8 in) high.
- 3) A trim is supplied which may be fitted around the terminal.

### Balanced flue siting requirements

The following guidelines indicate the requirements for siting of Balanced Flue Terminals:

- 1) On a clear expanse of outside wall, preferably not less than 600mm (2ft) from a corner, recess or projection.
- 2) Not less than 300mm (1 ft) vertically beneath an openable window or ventilator.
- 3) Not less than 600mm (2ft) from any surface facing the terminal.
- 4) Not less than 300mm (1ft) above ground level.
- 5) Not immediately beneath eaves or a balcony.
- 6) If the terminal is less than 2m (6ft) above the ground or a balcony to which people have access the terminal should be protected by a guard.
- 7) If the outer surface of an outside wall is of combustible material it should be protected by fitting a non-combustible plate which extends not less than 50mm (2in) around the terminal.

**WATER CIRCULATION SYSTEMS**

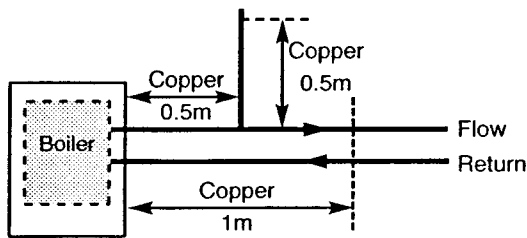
(see page 8)

The appliances are only suitable for connection to a cistern supply and can be used with:

- 1) Open vented pumped domestic hot water and pumped central heating systems.
- 2) Gravity flow domestic hot water and pumped central heating systems.
  - (a) With 28mm pipes the minimum circulating head for gravity domestic hot water should not be less than 1 m (3ft 3m) measured vertically from the flow connection on the boiler to the flow connection on the cylinder. At this head, the maximum horizontal distance measured along the run of the pipe should not exceed 3m (10ft). Greater horizontal distances and smaller pipe sizes are acceptable with suitably increased heads. Allowances must be made for pipe bends where necessary.
  - (b) If the above conditions are not easily met then pumped primaries should be used.
  - (c) Gravity flow and return pipes should be laid to maximum fall to avoid air locks.

**The following points are of particular importance:**

- 1) THE WATER SPREADER MUST BE FITTED TO THE PUMPED RETURN CONNECTION ON ALL SYSTEMS.
- 2) The appliances must not be used on sealed systems.
- 3) The system must be designed to avoid reverse circulation.
- 4) The static head must not exceed 30m (100ft) of water.
- 5) The boilers must only be used with an indirect cylinder when domestic hot water is required.
- 6) Drain points should be fitted at the lowest points in the system.
- 7) The system must be designed such that gravity circulation in the heating system does not take place when the pump is not running.
- 8) In systems using non-metallic pipework it is necessary to use copper pipe for the boiler Flow and Return. The copper must extend at least 1 metre from the boiler and include any branches. The copper pipe must not be insulated.



**GAS SUPPLY**

The gas connection is located at the bottom left hand side of the appliance and is Rc½ (½ in B.S.P.T. internal). Ensure that the pipework from the meter to the appliance is of adequate size. Do not use pipes of a smaller size than the appliance gas connection.

**ELECTRICAL SUPPLY**

External wiring must be correctly earthed and polarised and in accordance with I.E.E. Regulations.

For wiring instructions see 'Electrical Connections'.

**Treatment of Water Circulating Systems**

For optimum performance after installation, this boiler and its associated central heating system must be flushed in accordance with the guidelines given in BS7593:1992 "Treatment of water in domestic hot water central heating systems".

This must involve the use of a proprietary cleanser, such as BetzDearborn's Sentinel X300 or X400, or Fernox's Superfloc. Full instructions are supplied with the products but for immediate information please contact BetzDearborn on 0151 420 9563, or Fernox on 01799 550811.

For long term protection against corrosion and scale, after flushing it is recommended that an inhibitor such as BetzDearborn's Sentinel X100, or Fernox's MB-1 or Copal is dosed in accordance with the guidelines given in BS7593:1992.

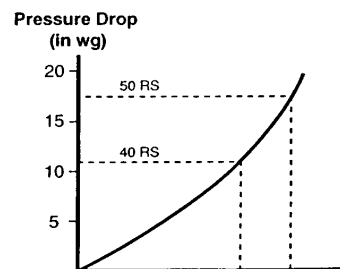
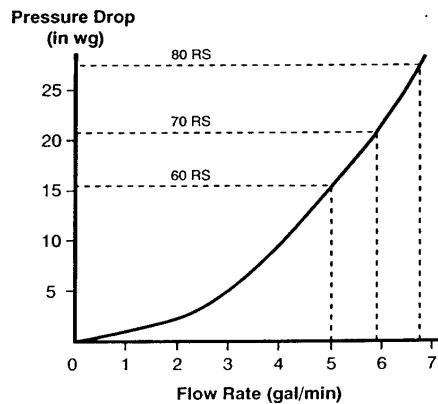
**Failure to flush and add inhibitor to the system may invalidate the appliance warranty.**

**APPLIANCE DETAILS (all models)**

HEIGHT	900 mm (35 ½in)
WIDTH	395 mm (15 ½in)
FORWARD PROJECTION FROM THE WALL	535mm(21in)
BOILER TAPPINGS	4 x Rp1 (1in BSP internal) and 1 x Rp ¾( ¾in BSP internal)
ELECTRICAL SUPPLY	230V~50Hz - 3 amp fuse
GAS CONNECTION	Rc ½( ½in BSPT internal)
MAX. WORKING HEAD	30m (100ft)
THERMOCOUPLE OUTPUT	10 – 15mv

APPLIANCE	WEIGHT EMPTY	WATER CONTENT
80 RS 70 RS 60 RS	98.2 kg (216 lbs)	7 litres (1.54 gallons)
50 RS 40 RS	81.3 kg (179 lbs)	5.1 litres (1.12 gallons)

**HYDRAULIC RESISTANCE CHARTS**



## PREPARATION

- 1) Ensure that the floor is sound and level.
- 2) Ensure that the length of the flue terminal is suitable for the wall thickness.
- 3) Select the most suitable position for the boiler (Figs 1 & 4).
- 4) Mark the position of the flue opening.
- 5) Cut out the hole for the flue.
- 6) Measure the wall thickness, assemble the flue terminal to the back of the appliance and adjust until the dimension from the back of the inlet air duct to the edge of the lip on the terminal mesh is 12mm (½ in) more than the wall thickness.

### THE FOUR SCREWS SECURING THE TERMINAL MESH TO THE FLUE DUCT MUST BE ACCESSIBLE FROM OUTSIDE THE BUILDING.

Tape the joint between the flue terminal assembly and the air duct (Fig. 1).

- 7) Manoeuvre the boiler into position until the two spacer pipes behind the air inlet duct touch the wall (Fig. 1).
- 8) Check that the flue terminal protrudes through the wall as detailed in 6) and make good.
- 9) Connect the water flow and return pipes (see 'Boiler Connections').
- 10) Complete connection to the gas supply (see 'Gas Connection').
- 11) Fit the outer case as described in 'Outer Case' items 1 to 5.
- 12) Connect the electrical supply (see 'Electrical Connections' page 7).
- 13) Complete the installation as outlined in 'Commissioning the Unit' page 10.
- 14) Complete the assembly of the outer case as described in 'Outer Case' items 6, 7 and 8.

## BOILER CONNECTIONS (Fig. 2)

The boilers have 5 water connections:

- 2 x Rp1 (1 in BSP internal) return connections.
- 2 x Rp1 (1 in BSP internal) flow connections.
- 1 x Rp¾ (¾ in BSP internal) flow connection.

The 1 x Rp¾ (¾ in BSP internal) flow connection is for use when the pump is fitted inside the outer case. For other installations this connection must be plugged.

THE WATER SPREADER MUST BE FITTED TO THE PUMPED RETURN CONNECTION ON ALL INSTALLATIONS. THE MARKS ON THE SPREADER MUST BE BETWEEN THE TWO MARKERS ON THE COMBUSTION CHAMBER (Fig. 3).

**WARNING: Overtightening of the water spreader may damage the heat exchanger. Do not apply excessive amounts of sealing tape to the thread of the spreader.**

The spreader has one mark on the 80, 70, 60 and has two marks on the 50, 40.

### When installing the pipework ensure that:

- a) Suitable union fittings are used at the first joint of all boiler connections.
- b) The pipework will run through the cutouts provided in the outer case (Fig. 4).
- c) Drain off points are provided as appropriate.
- d) Pipe sizes are suitable for the system design.

## PUMP (Fig. 5)

A suitable pump e.g. Grundfos UPS 15-50, 15-60 or equivalent Myson or Wilo with ball type isolating valves and 22mm compression fittings may be fitted inside the outer case. The pump should be connected to the ¾ in

flow connection on the front of the heat exchanger using the following standard fittings.

- A - 1 off - Elbow ¾ BSP male x ¾ BSP female
- B - 1 off - Conex straight connector ¾ BSP male x 22mm copper
- C - 3 off - 22mm Yorkshire elbow
- D - 1 off - when installing the 50 and 40  
52mm long - 22mm copper tube
- D - 1 off - when installing the 80, 70 and 60  
92mm long - 22mm copper tube
- E - 1 off - 100mm long - 22mm copper tube
- F - 1 off - 145mm long - 22mm copper tube
- G - 1 off - 42mm long - 22mm copper tube

The redundant flow connection(s) must be plugged.

Accuracy is important to avoid the pump and or pipework obstructing removal of the top panel of the combustion chamber, or fouling the top panel of the outer case.

THE PUMP MUST NOT BE FITTED WITHIN THE OUTER CASE WHEN THE UNDER WORK SURFACE TOP PANEL IS USED.

## OUTER CASE (Fig. 6)

Assemble the outer case in the following manner:

- 1) Locate the RH side panel over the pegs at the RH side of the base and press downwards to secure. When fitting the panels if access is restricted the cutouts at the top of the back edge of the panels can be used to pass the case fixing brackets.
- 2) Secure the panel to the case fixing brackets with two of the six screws provided.

(When the under work surface top panel is being fitted then the RH and LH side panels are fixed only by the screws at the front of the panel as access to the top screws may be limited. The top panel is then slid back to the wall and secured to the side panels by the fascia securing screws in figure 6.)

- 3) Repeat 1 & 2 with the LH side panel.
- 4) Secure the hinges of the fascia panel to the two side panels using two of the six screws provided.
- 5) At this point the electrical connections to the fascia panel can be made and the appliance can be commissioned. (See 'Electrical Connections' and 'Commissioning the Appliance').
- 6) Swing the fascia panel upwards and secure to the side panels using the two screws retained to the control fascia.
- 7) Locate the top panel above the side panels and press down to secure.
- 8) Hook the bottom edge of the front panel over the lugs on the base and swing the top edge back till the pegs at the top of the panel locate in the corresponding holes. Press to secure.

## GAS CONNECTION (Fig. 2)

Adapt the gas supply 15mm (½ in BSP) within the outer case making the gas connection to the service tap provided.

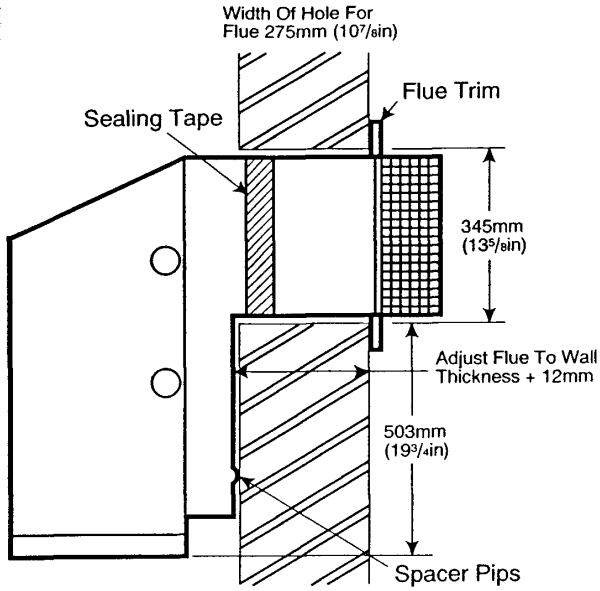


fig 1 - Flue Assembly

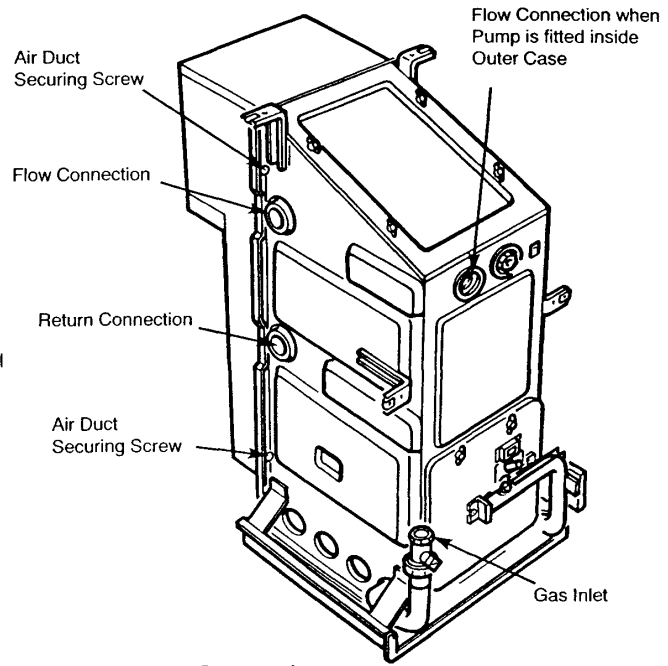


fig 2 - Boiler Connections

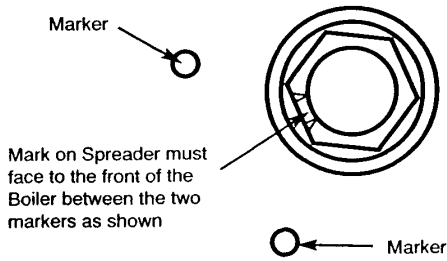


fig 3 - Spreader in Pump Return Connection

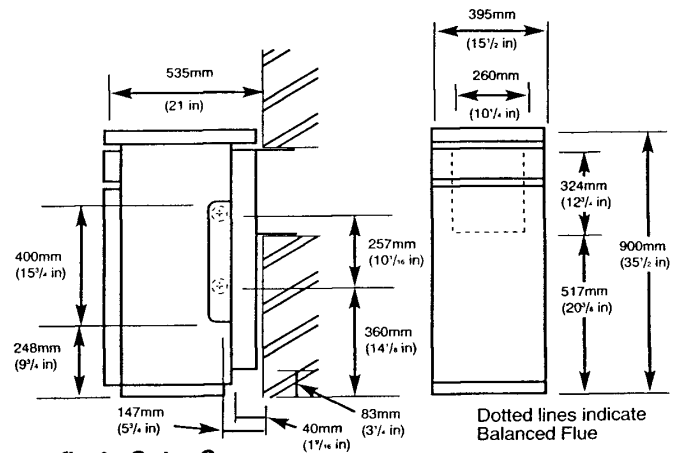


fig 4 - Outer Case

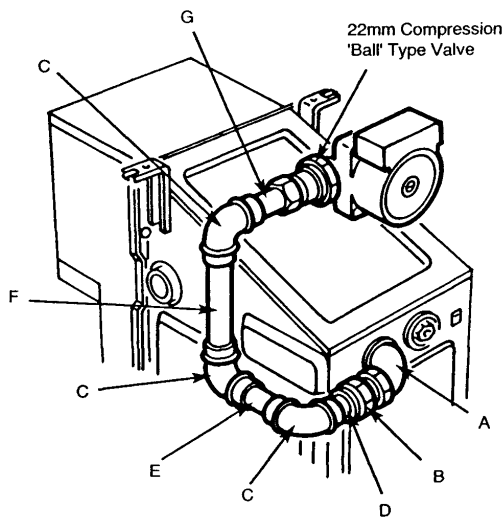


fig 5 - Pump in Casing

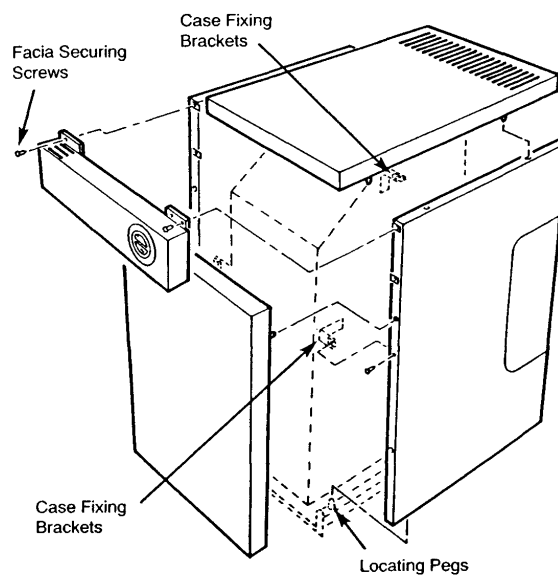


fig 6 - Outer Case Assembly

# Electrical Connections – page 7

## THIS APPLIANCE MUST BE EARTHED

### GENERAL

The mains supply required is 230V ~ 50 Hz fused at 3 amps. A double pole switch of contact separation of 3mm in all poles should be provided in the installation or an unswitched socket outlet should be used. All external wiring shall be correctly earthed and polarised and be in accordance with I.E.E. Regulations.

### Electrical supply to controls

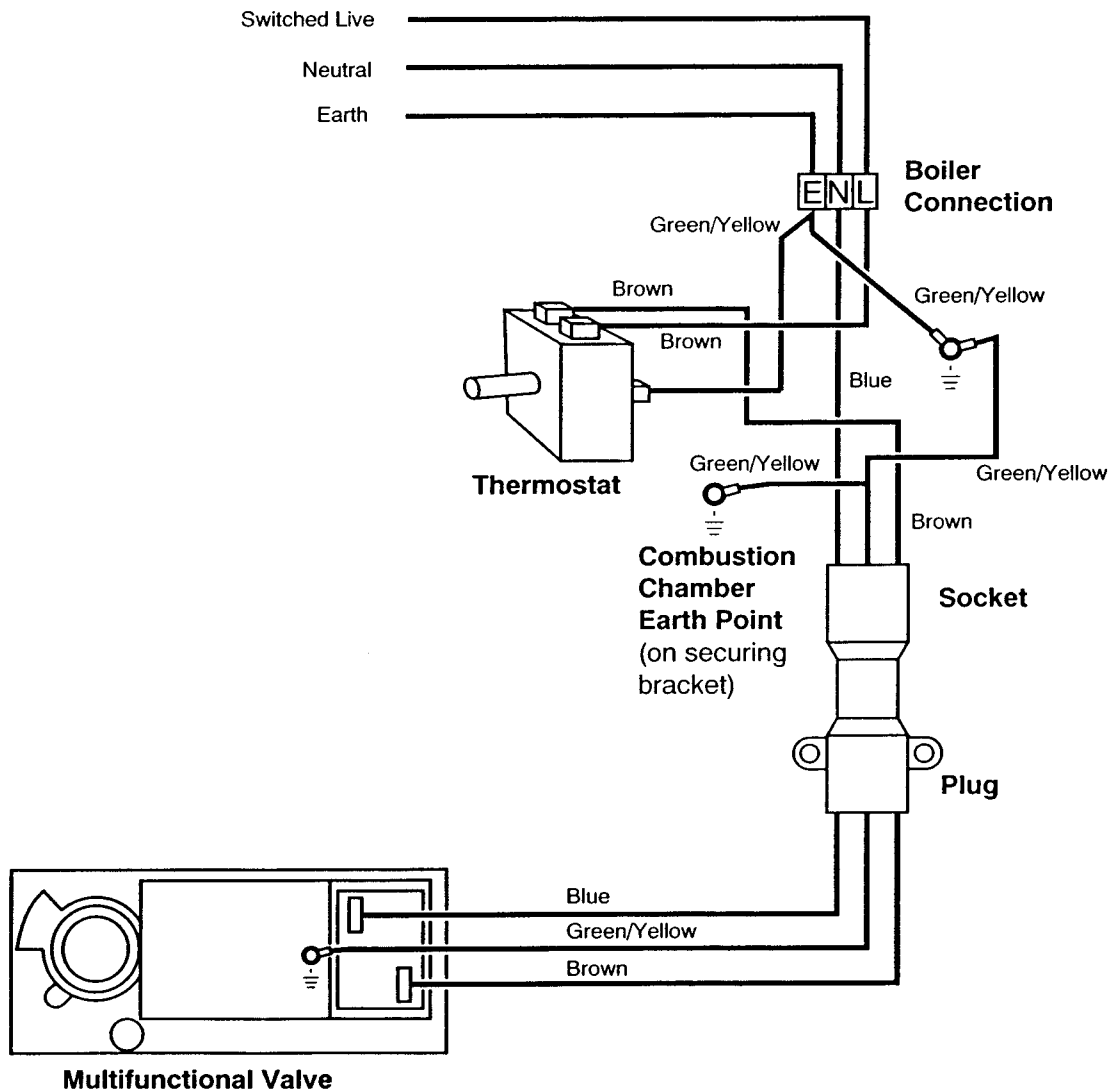
The recommended cable for connection to the appliance is 0.5mm<sup>2</sup> 16/.20 PVC to IEC 53 code 227 (heat resistant).

The input cable should be secured with the cable clips provided and be laid to avoid contact with hot surfaces.

The length of the supply conductors between the cable grip and the terminals must be such that the current carrying conductors become taut before the earthing conductor if the cable should slip out of the cable grip.

- 1) With the outer case assembled as in 'Outer Case' 1-4 remove the 2 screws securing the thermostat cover to the fascia panel.
- 2) Fit the input cable to the terminal strip and clamp using the cable grip provided and clamp the incoming cable into the cable clips provided on the outer case side panel so as to avoid contact with the hot combustion box surfaces.
- 3) Connect the 2 green and yellow earth wires halfway down the appliance wiring harness to the combustion chamber earth point on the outer case support bracket.
- 4) Fit the socket at the end of the wiring harness to the plug attached to the burner feed pipe and clip the wire to the cable clips provided.
- 5) Refit the thermostat cover to the fascia panel.
- 6) Push the thermostat phial into the thermostat pocket and clip the capillary behind the retaining clip (Fig. 8).

## INTERNAL WIRING



**PIPE SIZING**

- a) The sizes of flow and return pipes from the boiler should be determined by normal methods according to the requirements of the system. Normally the pump should be set to give a 11°C (52°F) drop across the system with the gas rate of the boiler adjusted to the output required.
- b) The open vent pipe must be a minimum of 22mm and must rise continuously to above the feed tank. The flow pipe from the boiler may form part of the open vent. No part of the open vent should contain a valve.
- c) The 15mm cold feed pipe should not include a valve unless required by the local water authority.

**DOMESTIC HOT WATER**

An indirect cylinder must be used. If a self priming indirect type is employed it must be of adequate size and applied strictly in accordance with the cylinder manufacturers' instructions.

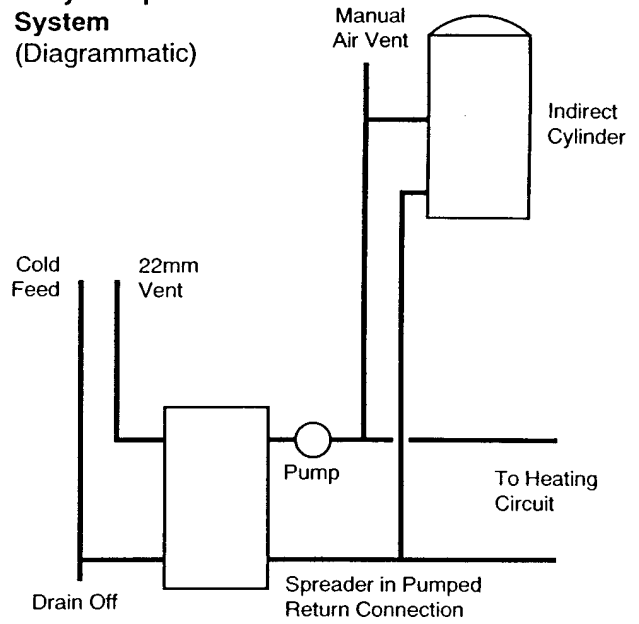
**FUEL ECONOMY**

Better fuel economy is achieved by exercising control of the boiler by means of a room thermostat and or a cylinder thermostat as appropriate.

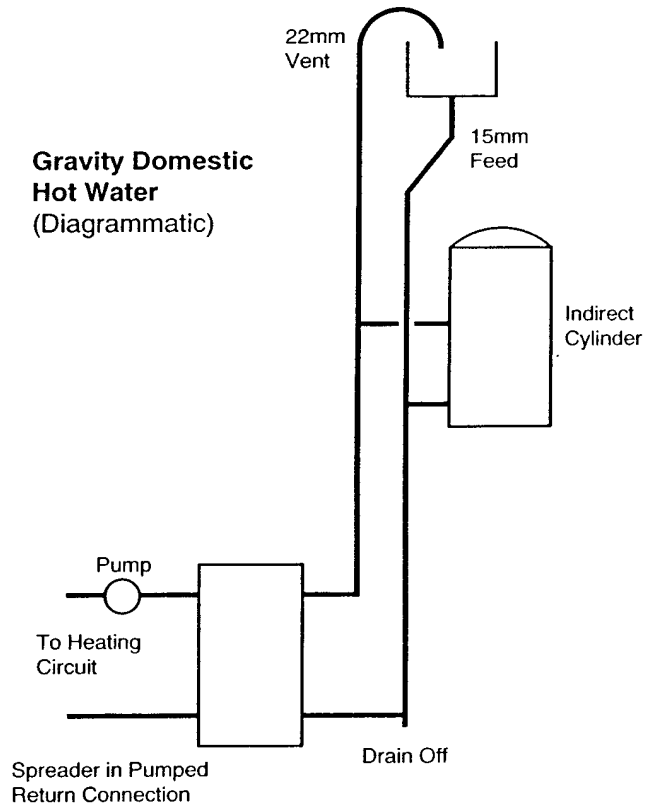
ALLOWING THE BOILER TO CYCLE ON THE BOILER THERMOSTAT DOES NOT PRODUCE THE BEST RESULTS. SIMILARLY FOR ECONOMY AND BOILER PERFORMANCE THE SYSTEM SHOULD BE DESIGNED SO THAT GRAVITY CIRCULATION IN THE HEATING CIRCUIT DOES NOT TAKE PLACE WHEN THE PUMP IS NOT RUNNING.

**IMPORTANT: Gravity Flow and Return connections must be taken from the same side of the boiler.**

**Fully Pumped System (Diagrammatic)**



**Gravity Domestic Hot Water (Diagrammatic)**



**In both cases the cold feed pipe which is the neutral point of the system is shown directly behind the pump to avoid sub atmospheric pressure (air entrainment) in the system.**



## Commissioning the Unit – page 9

Reference should be made to BS 5449: section 5 when commissioning the boiler and system.

Flush the whole system in accordance with BS 7593:1992. (See Treatment of Water Circulating Systems on page 4.)

Check the system for leaks.

Turn the gas service cock fully anti-clockwise.

Purge the air from the gas service pipe in accordance with BS 6891 and test for gas soundness.

Turn the boiler thermostat to the OFF position.

Ensure that all external controls e.g. room thermostat, timer, etc., are calling for heat and turn on the mains electrical supply.

Remove the test point sealing screw and connect a pressure gauge.

Hold in the ON/OFF button on the gas control valve.

Press the piezo igniter button and release. Repeat until pilot lights. Hold in the grey ON/OFF button for a further 20 seconds and then release. The pilot light should then remain alight. If not, turn the grey button clockwise and wait 3 minutes before repeating the sequence.

The pilot flame should be without a yellow tip and be approximately 25mm (1 in) long.

Operate the burner by turning the boiler thermostat knob to the HIGH setting and check the operation of the flame failure device by turning the grey ON/OFF button clockwise. The burner and the pilot should extinguish.

Turn the boiler thermostat to the OFF position. Wait 3 minutes and re-light the pilot as previously described.

Operate the burner and allow the system to reach normal operating temperature. Make further checks for leaks and check the burner setting pressure, adjusting if necessary.

This is done by adjusting the throttle screw (red plastic surround) in either direction as required (Fig 7).

Remove the pressure gauge and tighten the pressure test point sealing screw.

The boiler and system should be run and then flushed and treated in accordance with BS 7593:1992 and the flushing agent/inhibitor manufacturers instructions. When all the air has been removed from the water circuit, the pump and radiators should be balanced to achieve the design temperature drop across the system.

Recheck the system for leaks.

Turn the boiler thermostat to the required setting.

Complete the assembly of the outer case as described in 'Outer Case' (Fig. 6).

Carefully read and complete all sections of the "Benchmark" Installation, Commissioning and Service Record Log Book that are relevant to the appliance and installation. The details of the Log Book will be required in the event of any warranty work. The Log Book must be handed to the user for safe keeping and each subsequent regular service visit recorded.

Instruct the user in the use of the unit. Please leave these instructions, the users instructions and the log book with the user.

**NOTE: In the event of an electrical fault after the installation of the appliance, preliminary electrical system checks must be carried out (i.e. Earth continuity, polarity and resistance to earth).**

Model	Maximum Input	Setting Pressure	Minimum Input	Setting Pressure	Injector Size
80 RS	29.45 kW (100,488 Btu/h)	15.2mbar (6.1 in wg)	26.3 kW (89,739 Btu/h)	12.3mbar (4.9 in wg)	1 x 4.2
70 RS	25.97 kW (88,607 Btu/h)	15.2mbar (6.1 in wg)	22.89 kW (78,103 Btu/h)	11.8mbar (4.7 in wg)	1 x 3.8
60 RS	22.45 kW (76,602 Btu/h)	15.1mbar (6.0 in wg)	19.37 kW (66,093 Btu/h)	11.3mbar (4.5 in wg)	1 x 3.55
50 RS	18.79 kW (64,100 Btu/h)	16.3mbar (6.5 in wg)	15.58 kW (53,161 Btu/h)	11.1mbar (4.4 in wg)	4 x 1.7
40 RS	15.03 kW (51,282 Btu/h)	13.6mbar (5.4 in wg)	11.95 kW (40,789 Btu/h)	8.7mbar (3.5 in wg)	4 x 1.55

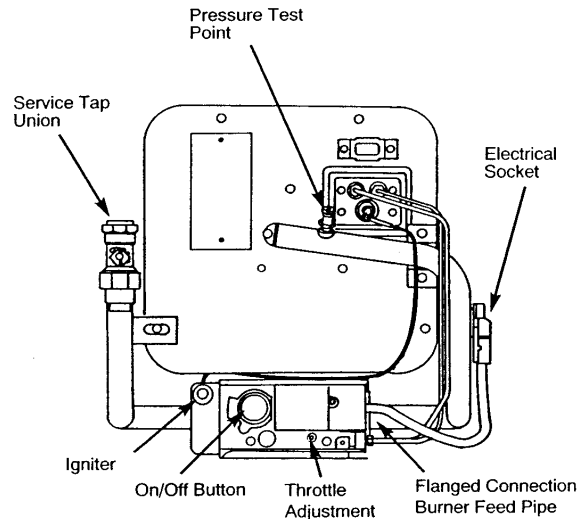


fig 7 - Burner Controls

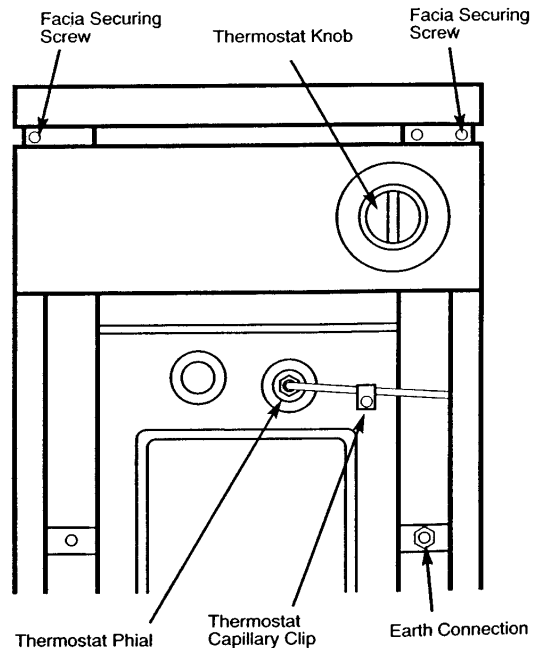


fig 8 - Boiler Thermostat

## servicing the Unit – page 10

(See 'BOILER SERVICING GUIDE' label on the boiler)

Before servicing the appliance please read the Important Information section on page 3.

After servicing, complete the relevant section of the 'Benchmark' Installation, Commissioning and Service Record Log Book. This should be in the possession of the user.

**For economy and safety reasons, it is important to service the appliance regularly.**

- 1) Turn off the electrical supply to the boiler.
  - 2) Remove the front panel of the outer case by pulling forwards at the top and lifting upwards.
  - 3) Remove the top panel of the outer case by pulling upwards.
  - 4) Turn off the gas supply at the service tap and disconnect the union (Fig. 7).
  - 5) Disconnect the electrical socket by pulling upwards (Fig. 7).
  - 6) Remove the four wing nuts and carefully withdraw the burner and controls assembly (Fig. 7).
  - 7) Release the two screws securing the front insulation assembly and remove the assembly (Fig. 9).
  - 8) Remove the four thumb screws securing the top inspection panel. Lift off or slide forward under control fascia to remove. (Fig 10).
  - 9) 60, 50, 40 RS Only - Remove retaining bracket and casting baffles.
  - 10) Remove any dirt that may have accumulated in the flue outlet duct.
  - 11) Clean the heat exchanger with a bristle brush and brush out the bottom of the combustion box ensuring that the air opening at the rear is clear.
  - 12) 60, 50, 40 RS Only - Refit heat exchanger baffles and retaining bracket.
  - 13) Check all the insulation panels for damage, replace if necessary. Refit the front insulation panel, the top inspection panel.
  - 14) Clean the burner as follows:
    - a) Remove the three screws holding the burner to the door panel.
    - b) Clean the burner blades and remove any deposits from the venturi.
    - c) Remove the injector from the feed pipe, clean and replace.
  - 15) Clean the pilot as follows: Unscrew the pilot tubing nuts at both ends and remove the pilot tube. Remove and clean the pilot injector and clean the pilot shroud (Fig 15).
  - 16) Re-assemble the pilot components and then the burner in reverse order of dismantling.
  - 17) Refit the burner and controls assembly checking that the door seal is undamaged. Replace if necessary.
  - 18) Reconnect the gas union at the service tap. Turn on the tap and check for gas soundness.
  - 19) Refit the electrical socket and turn the thermostat to the OFF position.
  - 20) Refit the outer case top panel.
  - 21) Hold in the ON/OFF button on the gas control valve (Fig 7) . Press in the igniter button and release. Repeat until the pilot lights. Hold in the ON/OFF button for a further 20 seconds and then release. The pilot should then stay alight. (IF THE PILOT FAILS TO REMAIN ALIGHT, TURN THE ON/OFF BUTTON FULLY CLOCKWISE AND RELEASE, WAIT 3 MINUTES AND START AGAIN FROM THE BEGINNING OF THIS PARAGRAPH.) The flame should be without a yellow tip and be approximately 25mm (1 in) long. No adjustment of the pilot flame is necessary as the pilot jet is sized to give the correct flame length at 20 mbar (8 in wg) inlet pressure.
  - 22) Turn on the electricity supply to the boiler.
  - 23) Remove the pressure test point screw (Fig 7). Connect a pressure gauge and operate the burner by turning the thermostat knob to its highest setting.
  - 24) Check that the pressure corresponding to the range rated output is correct for the installation (see data label). If necessary adjust the appliance throttle (Fig 7).
  - 25) Turn the boiler thermostat to the OFF position and refit the pressure test point screw.
  - 26) Turn the boiler thermostat to its original setting.
  - 27) Replace the outer case front panel.
  - 28) Complete the relevant section of the "Benchmark" Installation, Commissioning and Service Record Log and hand it back to the user.
-

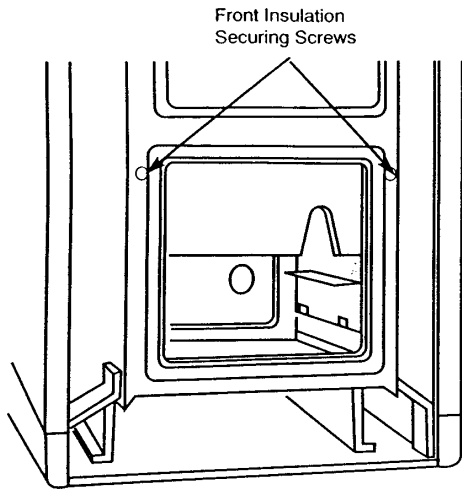


fig 9 - Insulation Combustion Box Door

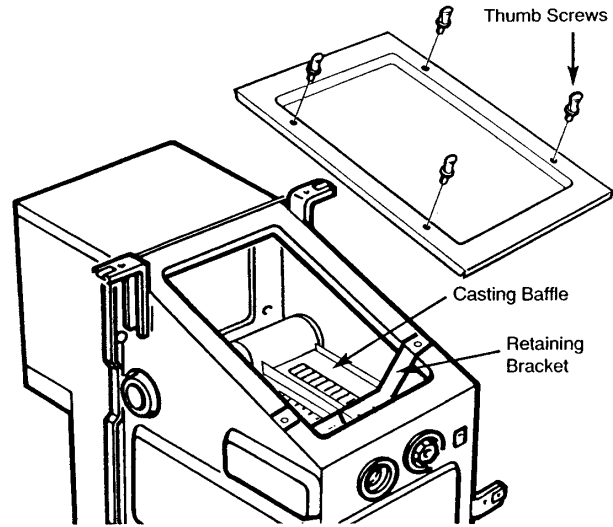


fig 10 - Baffle Securing Screws

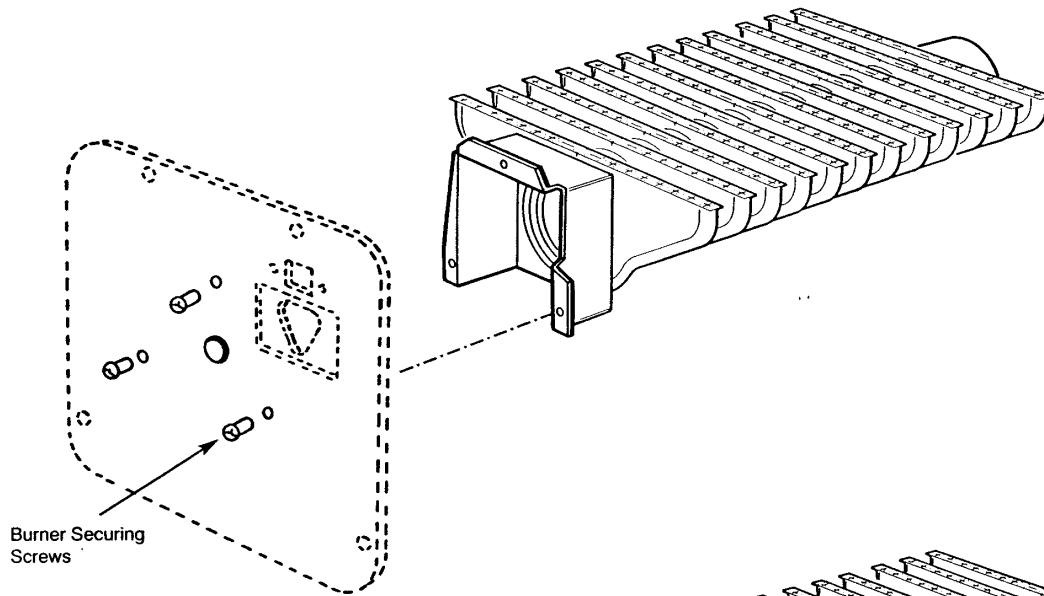


fig 11 - Door/Burner (50/40)

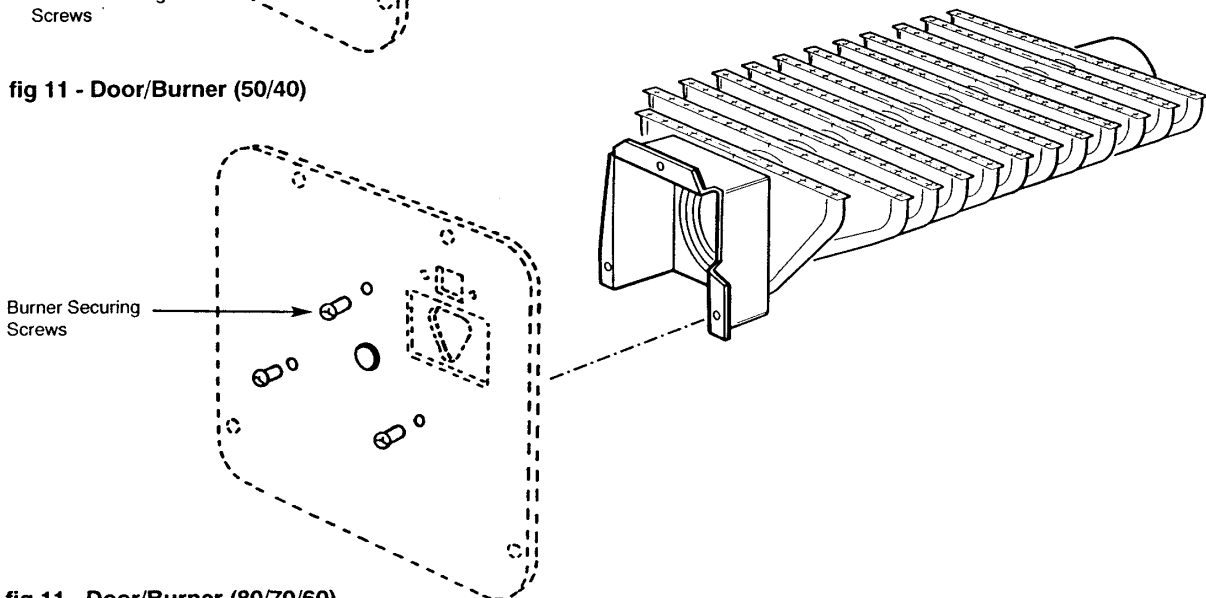


fig 11 - Door/Burner (80/70/60)

**When changing components ensure that electrical and gas supplies are isolated.**

Before changing any components please read the Important Information section on page 3.

### **THERMOCOUPLE**

- 1) Remove the outer case front panel by pulling forwards at the top and lifting upwards.
- 2) Turn off the gas supply at the service tap or at the ON/OFF button on the gas valve.
- 3) Release the thermocouple nut at the side of the gas valve (Fig. 15).
- 4) Release the thermocouple nut at the pilot bracket.
- 5) Re-assemble in reverse order of dismantling.

### **THERMOCOUPLE RE-ROUTE DEVICE**

- 1) Remove the burner and controls assembly as described in steps 1 to 6 - Servicing the Unit.
- 2) Remove valve heat shield.
- 3) Release thermocouple nut at the valve.
- 4) Disconnect the re-route nut.
- 5) Remove terminal cover and re-route device.
- 6) Re-assemble in reverse order of dismantling.

### **INJECTOR**

- 1) Remove the burner and controls assembly.
- 2) Remove the burner securing screws and remove the burner.
- 3) Unscrew the injector from the feed pipe.
- 4) Re-assemble in reverse order.

### **BURNER**

- 1) Remove the burner and controls assembly.
- 2) Remove the burner securing screws and remove the burner.
- 3) Re-assemble in reverse order.

### **BOILER THERMOSTAT**

- 1) Remove the outer case front panel by pulling forwards at the top and lifting upwards.
- 2) Remove the outer case top panel by pulling upwards.
- 3) Remove the two fascia retaining screws (Fig 8) taking care not to lose the two spacer washers and allow the fascia to swing forwards on its hinges.
- 4) Release the thermostat capillary from behind its retaining clip and remove the thermostat phial from the boiler (Fig 8).
- 5) Remove the screws securing the thermostat cover to the fascia.
- 6) Disconnect the three spade electrical terminals from the thermostat.
- 7) Pull off the thermostat knob and remove the locknut securing the thermostat to the fascia panel.
- 8) Re-assemble in reverse order of dismantling ensuring that the thermostat phial is replaced into the thermostat pocket.

### **GAS VALVE (Fig 15)**

- 1) Remove the burner and controls assembly as described in steps 1 to 6 - Servicing the Unit.
- 2) Disconnect the thermocouple nuts at the valve and at the pilot bracket.
- 3) Disconnect the pilot feed pipe at the valve and at the pilot bracket ensuring that the pilot injector is not misplaced.
- 4) Disconnect the electrode lead and remove the piezo unit.

- 5) Remove the screw securing the electrical terminal cover to the gas valve. Disconnect the electrical connections.
- 6) Remove the valve complete with the heat shield and inlet pipe by disconnecting the flanged burner feed pipe (Fig 7).
- 7) Disconnect the flanged inlet pipe. Retain the O rings for re-assembly but replace if damaged.
- 8) Remove the heat shield by undoing the retaining screws.
- 9) Release the thermocouple re-route nut and remove the re-route.
- 10) Individual sub components of the valve may be replaced as outlined by Honeywell instructions.
- 11) Re-assemble in reverse order of dismantling:

### **INSULATION IN COMBUSTION BOX**

- 1) Remove the burner and controls assembly as described in steps 1 to 6 - Servicing the Unit.
- 2) Release the 2 screws securing the front insulation assembly and remove the assembly (Fig 9).
- 3) Remove the two screws and air guides securing the two side insulation panels (Fig 16) and carefully remove diagonally through the door opening.
- 4) Remove the two screws and washers securing the back panel insulation (Fig 16).
- 5) Remove the ceramic insulation pad from the front insulation assembly by bending the securing tabs.
- 6) 50, 40 RS only - Remove the two sloping panels of insulation adjacent to the heat exchanger by removing four screws and washers. Ease out the bottom edge of the insulation panel and slide down (Fig 16).
- 7) Replace insulation as necessary and bend down securing tabs where applicable.
- 8) Re-assemble in reverse order of dismantling taking care not to damage the new insulation.

### **PIEZO UNIT (Fig 15)**

- 1) Remove the burner and controls assembly as described in steps 1 to 6 - Servicing the Unit.
- 2) Disconnect the electrode lead at the piezo unit.
- 3) Remove the nut securing the piezo unit to the heat shield and remove the piezo unit.
- 4) Re-assemble in reverse order of dismantling:

### **SPARK ELECTRODE (Fig 15)**

- 1) Remove the burner and controls assembly as described in steps 1 to 6 - Servicing the Unit.
- 2) Disconnect the electrode lead at the electrode.
- 3) Remove the nut securing the electrode and remove the electrode.
- 4) Re-assemble in reverse order of dismantling.

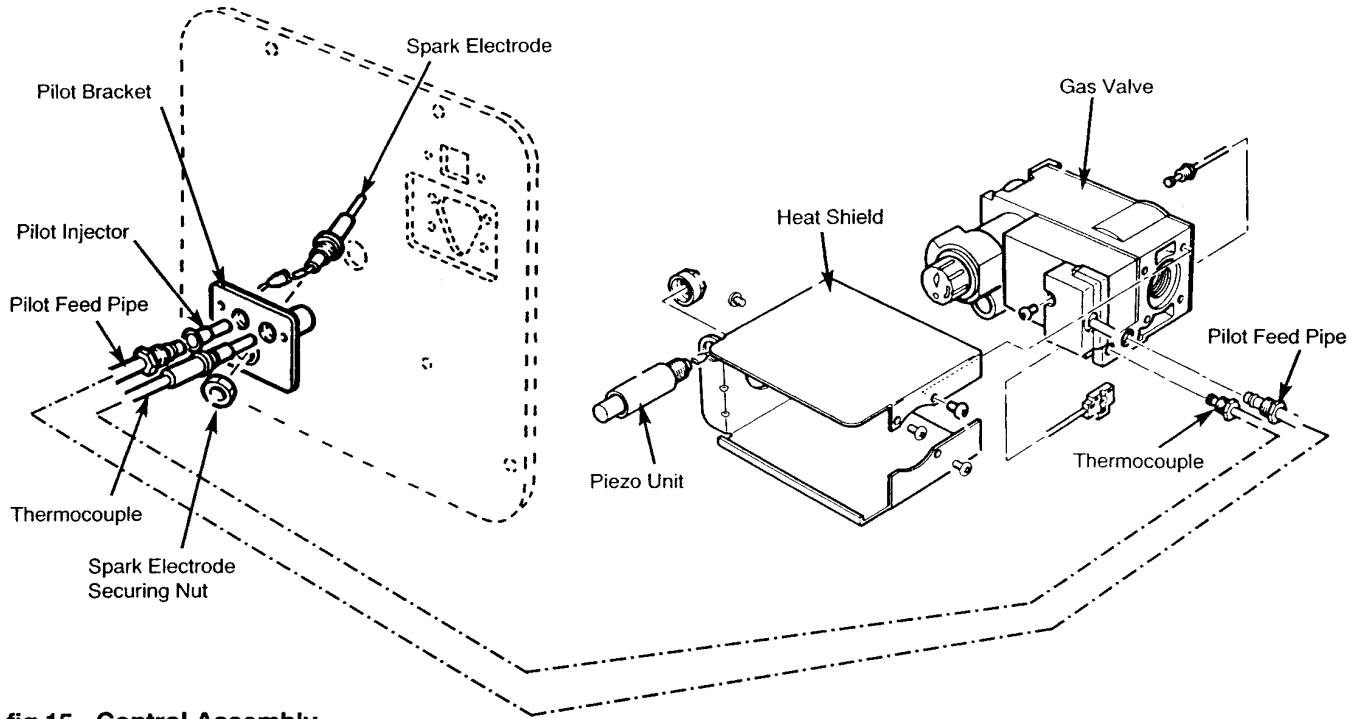


fig 15 - Control Assembly

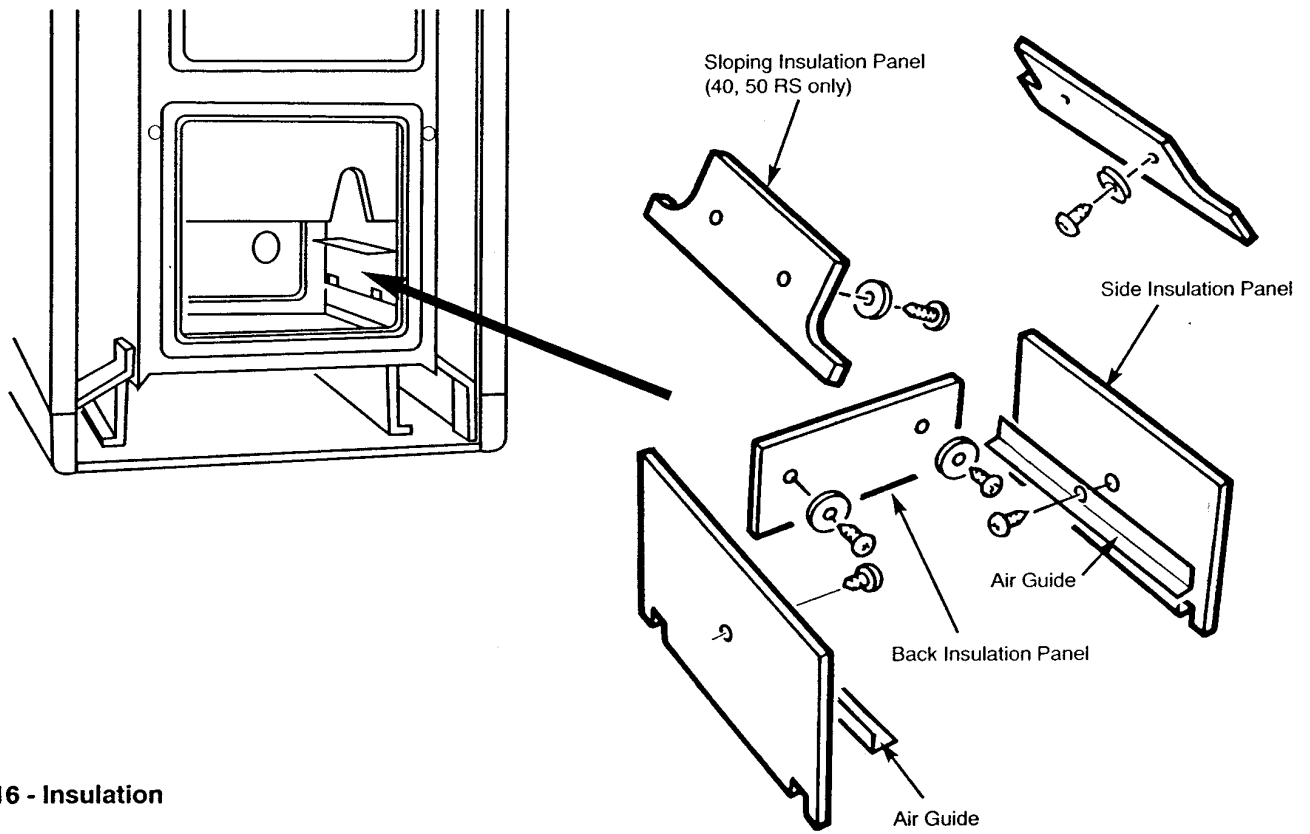
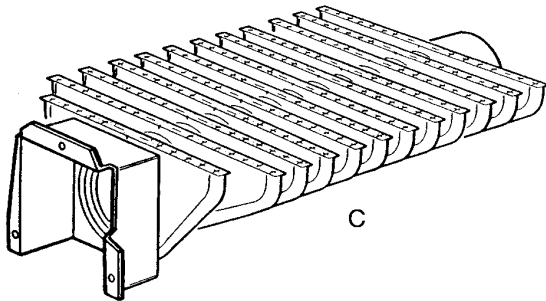
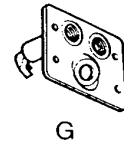
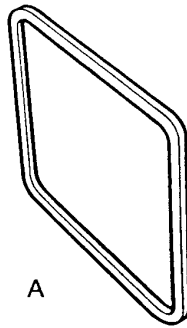
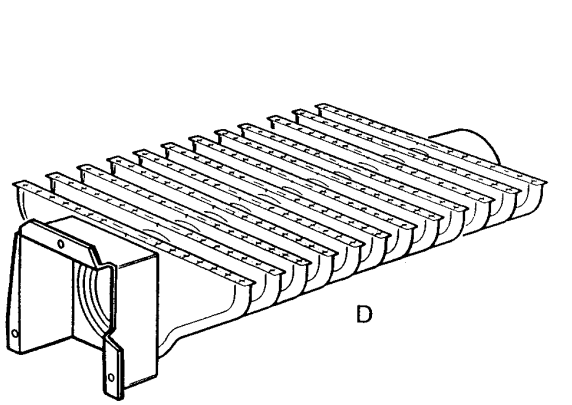
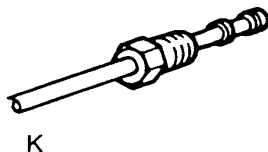
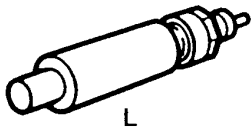
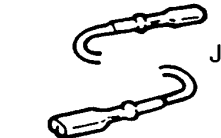
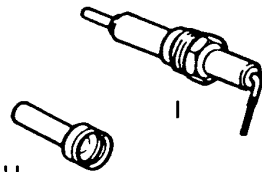
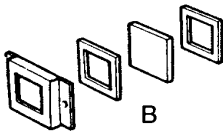
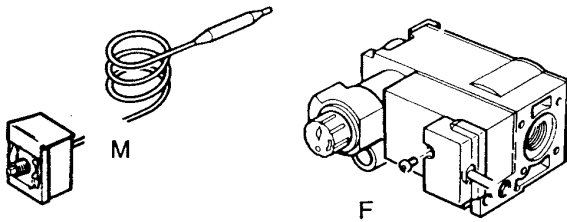


fig 16 - Insulation



## Short Parts List

**BAXI BOSTON 2 - 80/70/60/50/40 RS**  
**B.G.C. No 41 077 89/88/87/86/85**



Model	Description	G.C. N°	Manufact'rs Part N°
50 80 40 70 60	Key N°		
A	A Seal - Panel Door	364 260	112057
B	B Kit - Sight Window	364 719	226114
C	C Burner - Boiler (60-70-80)	378 898	235262
D	D Burner - Boiler (40-50)	378 899	234721
E	E Injector - Stereomatic (80 RS)	386 639	226094
E	E Injector - Stereomatic (70 RS)	378 897	236247
E	E Injector - Stereomatic (60 RS)	386638	225824
E	E Injector - Stereomatic (50 RS)	364 314	112033
E	E Injector - Stereomatic (40 RS)	183 881	042857
F	F Valve - Control Honeywell V4600 T1037	379 810	233359
G	G Burner - Pilot Honeywell Q349A 1059	170 580	236667
H	H Injector - Pilot Honeywell 56/42 A	381 702	236107
I	I Electrode - Pilot Ignition Kigass E3356	387 852	102024
J	J Lead - Electrode	183 628	042740
K	K Thermocouple - 18" Honeywell Q3909 A	390 131	102005
L	L Kit - Piezo Unit	183 936	040456
M	M Thermostat - Kit Ranco	382 387	112025
N	N Knob Thermostat	378 903	235303