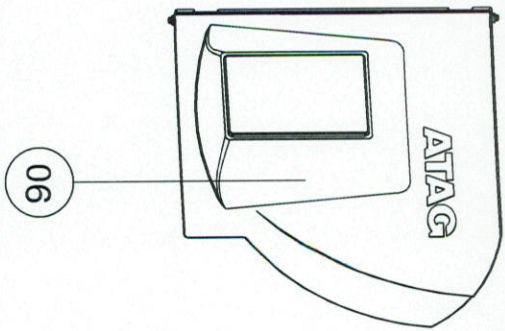
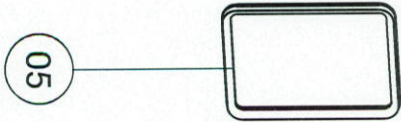
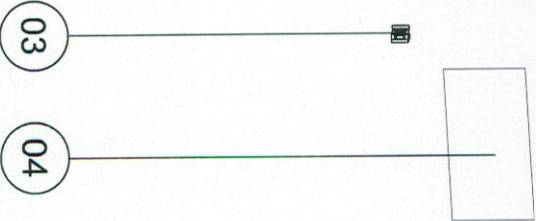
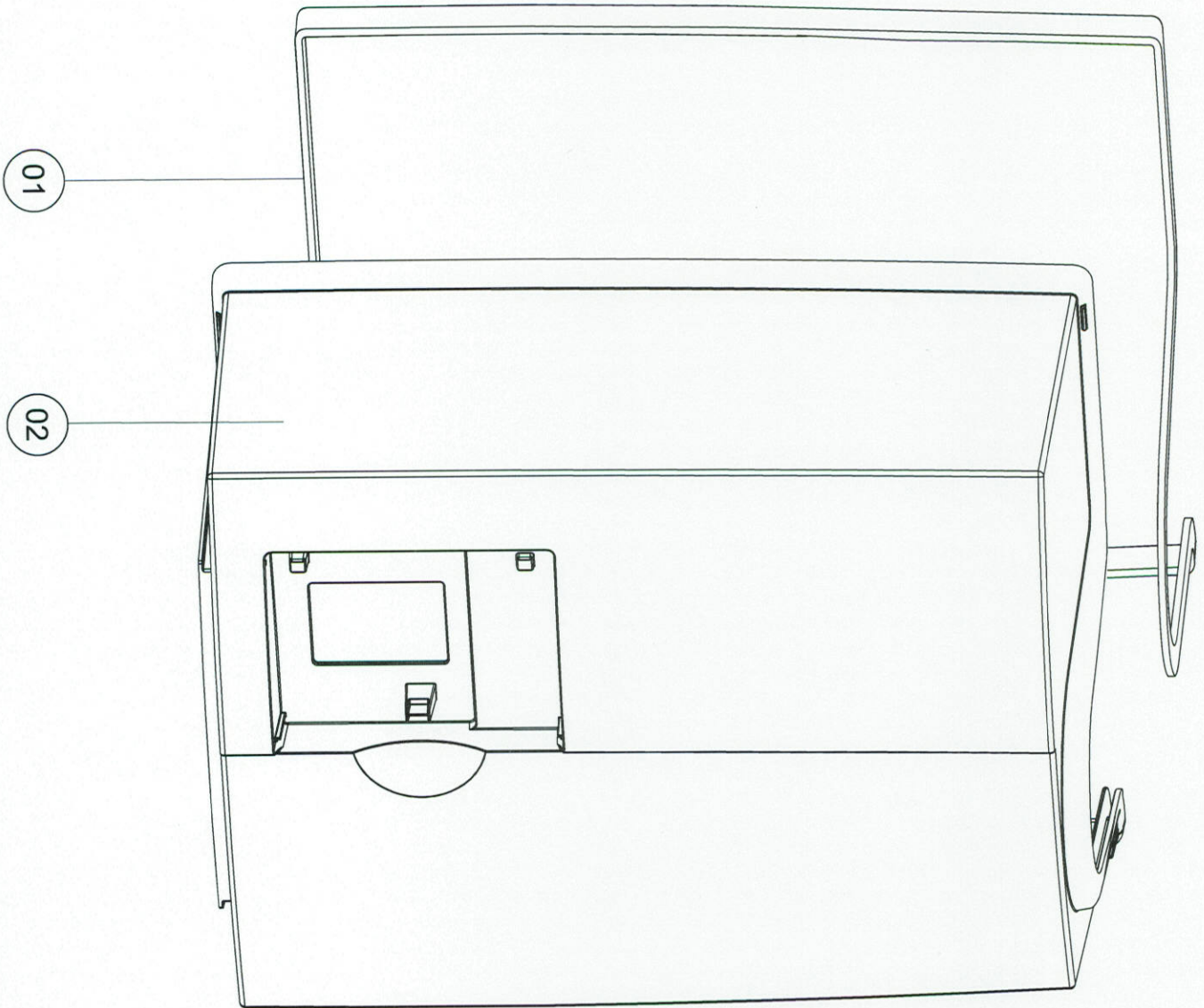


Spares

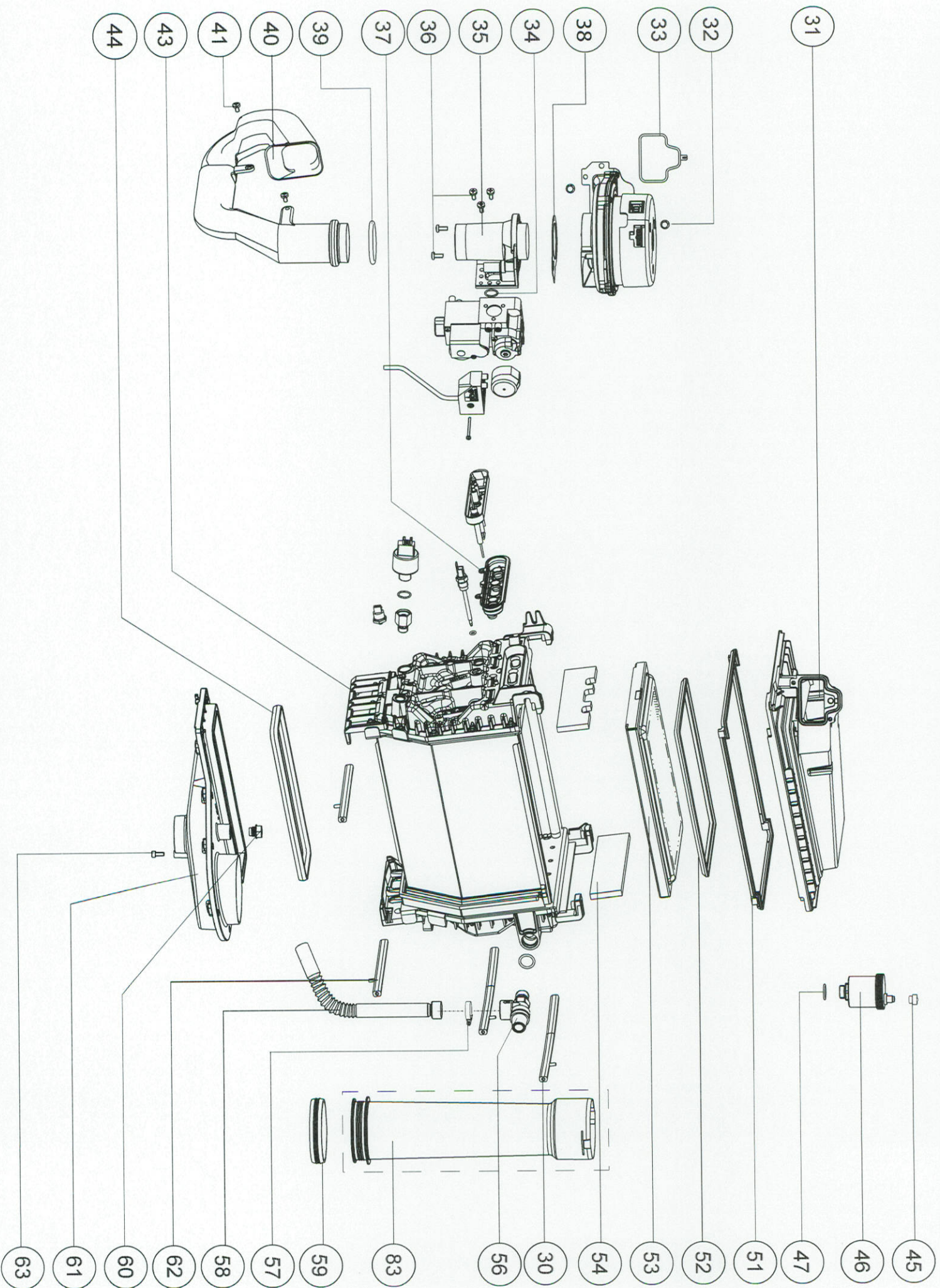


Pos. Description

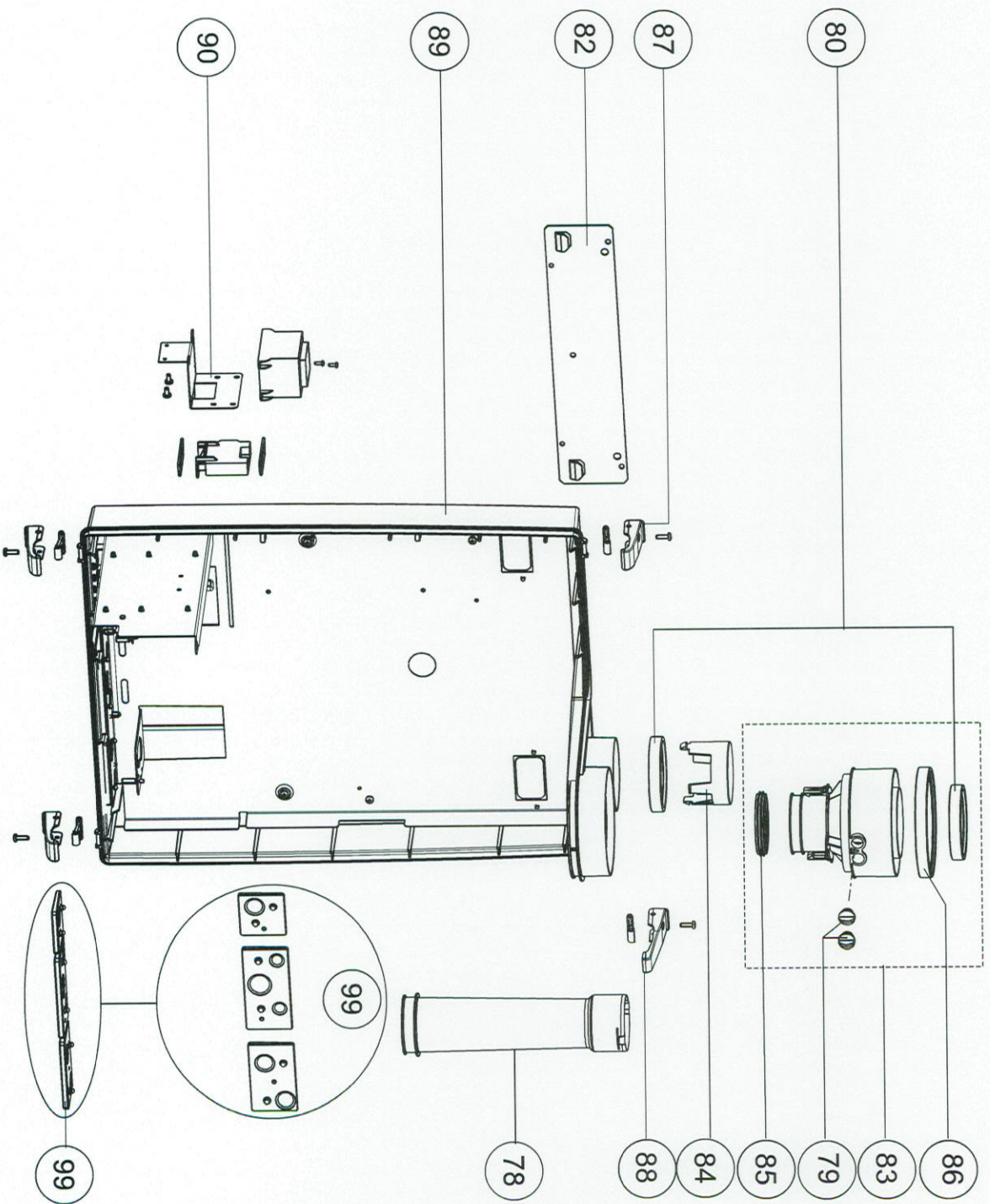
Art.nr.

ATAG A-Series
Combi
A203C

1	GASKET CASING PF/ESHR	S4479500	X
2	CASING A-SERIES		X
3	SPRING DOOR CASING PF/ESHR	S4479400	X
4	INSTRUCTION STICKER A-SERIES	8T44590X	X
	USER MANUAL A-SERIES	8T52590X	X
	INSTALLATION MANUAL A-SERIES	8T515900X	X
5	GASKET DISPLAY-CASING A-SERIES	S4754700	X
6	DOOR CASING A-SERIES		X

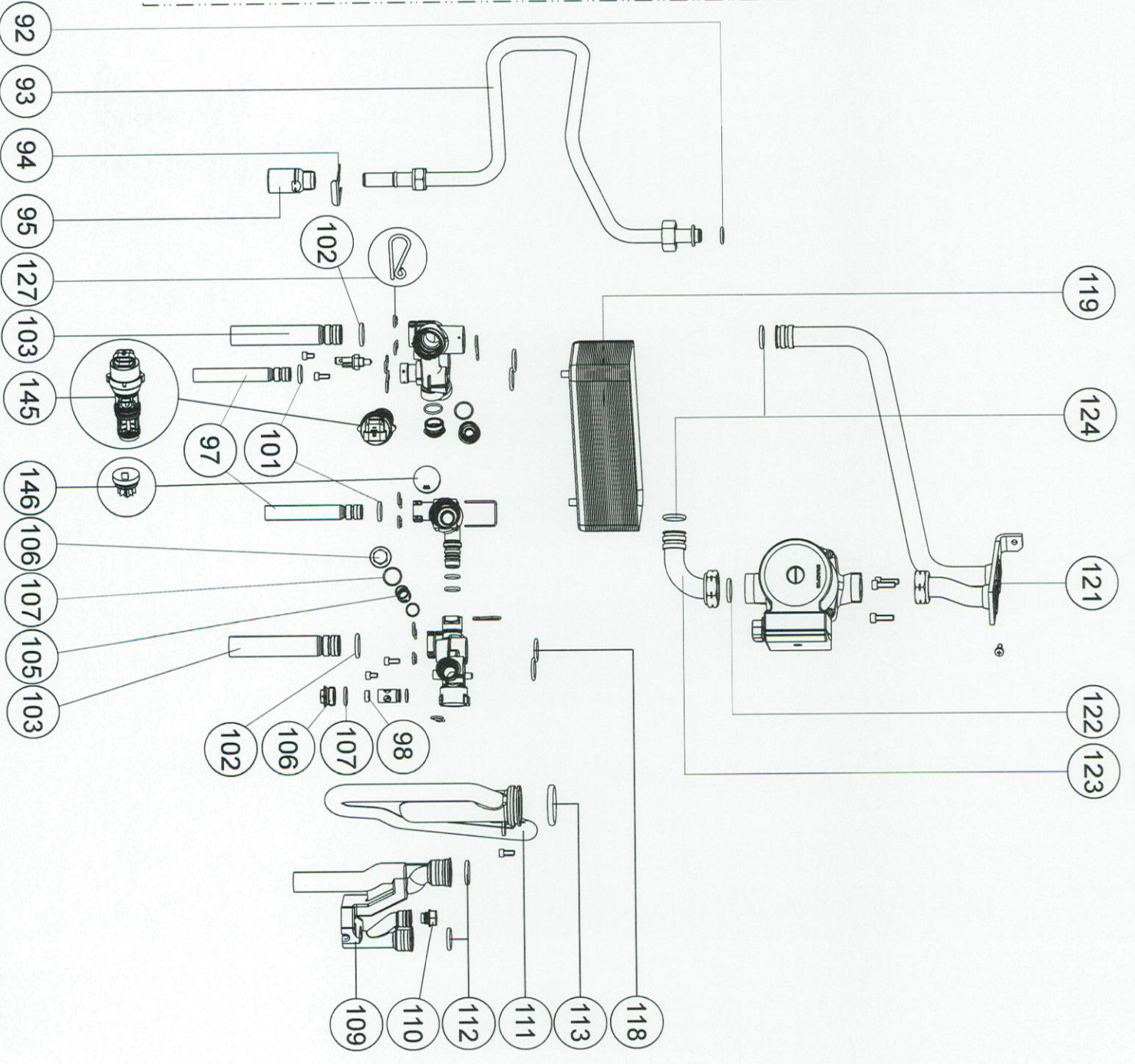
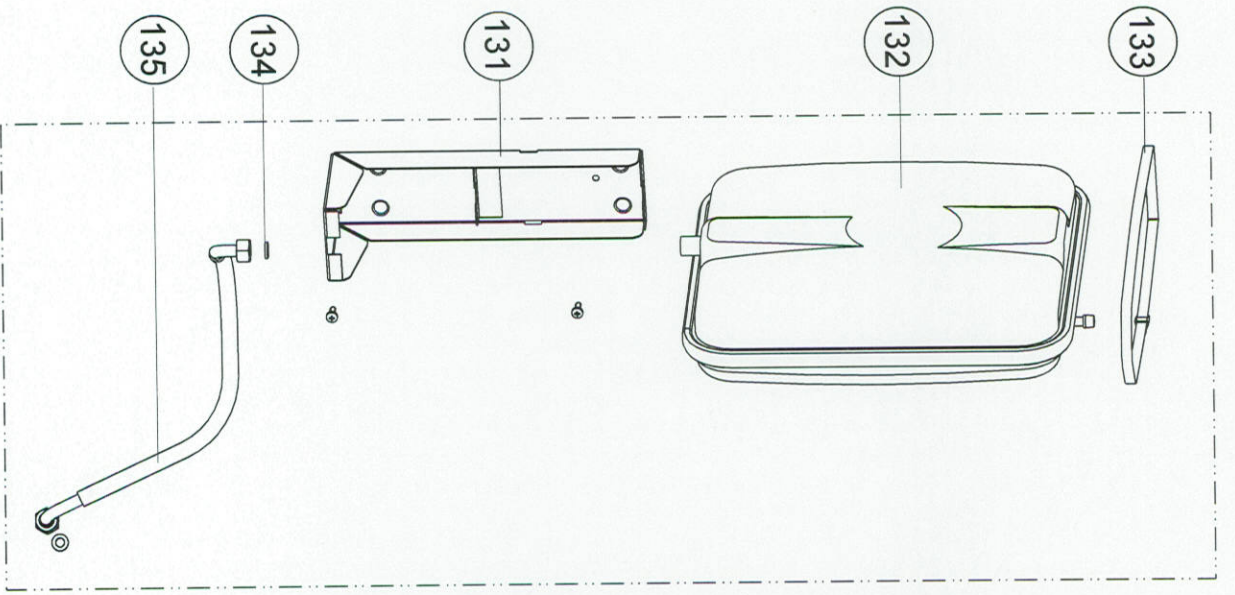


Pos.	Description	Art.nr.	ATAG A-Series	
			Combi	A203C
30	CLAMP BAR TOP PART HEX. LONG	S4310800	2X	
31	TOP PART HEAT EXCH. SET OSS1	S4735000	X	
32	BOLT M 5X16 HR-SERIE 5X	S4313100	2X	
33	GASKET FAN/TOP PART HEX. SHR	S4305700	X	
34	GASKET GAS VALVE -VENTURI	S4337610	X	
35	VENTURI SHR24	S4318810	X	
36	BOLT M5X12GR FASE ZSDIN7985 5X	S4418710	2X	
37	GASKET IONISATION/IGNITION OSS	S4709800	X	
38	GASKET VENTURI-FAN	S4325610	X	
39	GASKET SILENCER-VENTURI SHR	S4309500	X	
40	DAMPER E/P/SHR15/24	S4347510	X	
41	SCREW TAPITTE M5X8 CK-PD 3X	S4167500	X	
42	CAP GAS VALVE BLACK		X	
43	HEAT EXCHANGER OSS1	S4731000	X	
	BULLET HEAD SCREW DRIVER	S4363700	X	
44	GASKET CONDENSATE TRAY OSS1	S4709500	X	
45	CAP DE-AERATOR SHR 3x	S4380600	X	
46	DE-AERATOR CHROME	S4419110	X	
47	O-RING Ø13,94X2,62 DE-AER.SHR 2x	S4342300	X	
48	WATER LOCK	S4325900	X	
51	GASKET H.E./TOP PART OSS1	S4709100	X	
52	GASKET BURNER/TOP PART OSS1	S4717200	X	
53	BURNER CASSETTE SET OSS1	S4714600	X	
54	SET INSULATION PIPE PLATE L-R	S4730900	X	
56	SAFETY VALVE 3 BAR PFE/SHR	S4344630	X	
57	HOSE CLAMP 20-32 MM SS	S4395600	X	
58	PIPE SAFETY VALVE PFE/SHR	S4421400	X	
59	LIP-RING Ø63 AMGAS	S4307900	X	
60	PLUG 1/4"	S4674500	X	
61	CONDENSATE TRAY OSS1	S4730600	X	
62	CLAMP BAR COND.T. PFE/SHR	S4310700	2X	
63	BOLT M 5X12 IMBUS VERZ. 3X	S4440000	X	

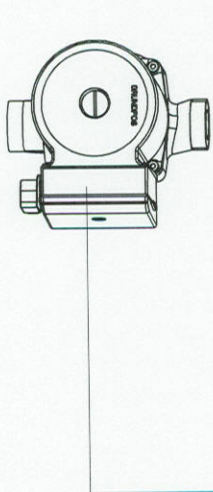
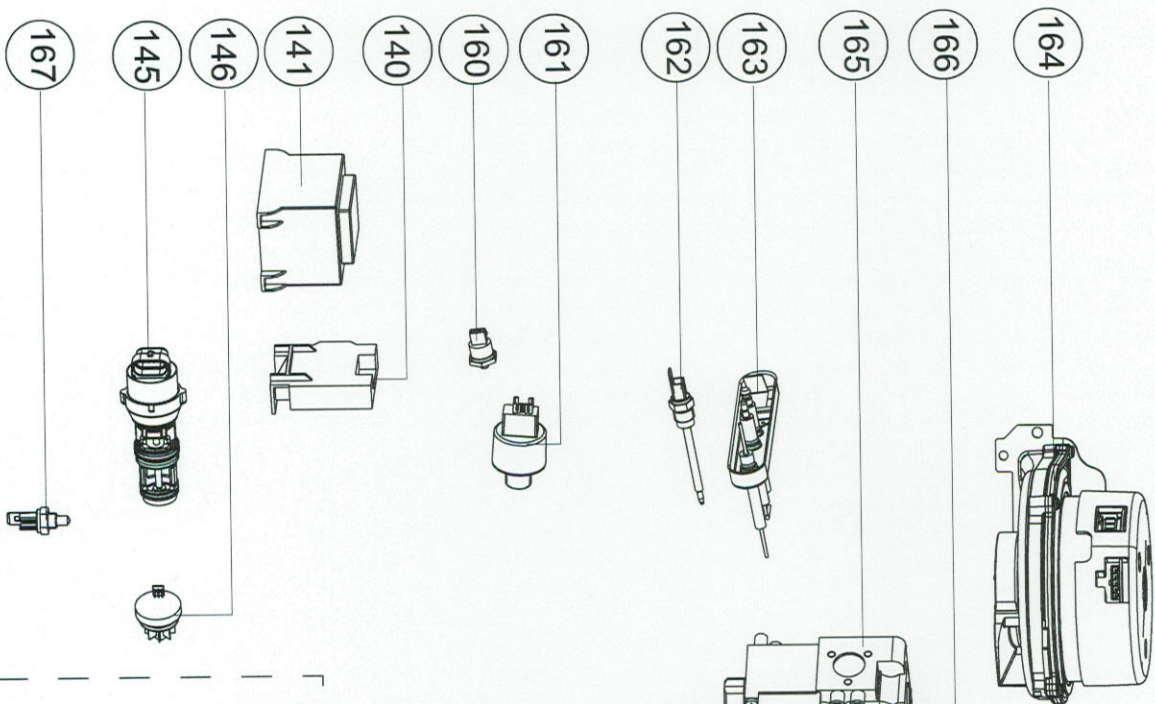


Pos.	Description	Art.nr.	ATAG A-Series	
			Combi	A203C
80	GASKET AIRINTAKE ø80 SHR	S4323510	X	
82	MOUNTINGBR. PFE-SHR15/24/35	S4341610	X	
83	FLUE GAS ADAPTER 80/125MM	AA1CA05U	X	
84	COVER AIR SUPPLY ø80 SHR	S4323310	X	
85	GASKET FLUE GAS PIPE PP SHR	S4472600	X	
86	FLUE GAS PIPE OSS1		X	
87	QUICK RELEASE SMALL PFE/SHR	S4415220	3X	
88	QUICK RELEASE LARGE PFE/SHR	S4415120	1X	
89	BACK PART CASING PFE/SHR	S4337200	X	
	BASE PLATE CASING PFE/SHR		X	
90	BRACKET STEPPER INTERFACE		X	
92	O-RING Ø14.30 X 2.40 GAZPIPE A(3X)	S4749500	X	
93	GASPIPE A-SERIE OSS1	S4741400	X	
94	SECURE SPRING GAS PIPE		X	
95	PIPE FITTING 1/2"		X	
97	PIPE Ø15 COLD/HOT A-SERIES	S4743300	2X	
98	FLOW RESTR. DHW 7.6L/MIN	S4755300	X	
99	GASKET SET PIPES A-SERIES	S4755100	X	

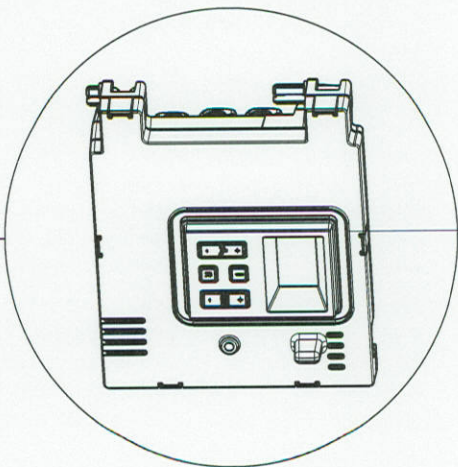
Pos.	Description	Art.nr.	ATAG A-Series	
			Combi	A203C
101	O-RING 10.77X2.62 SANITARY (4X)	S4743700	2X	
102	O-RING 17.86X2.62 FLOW/RETURN(4X)	S4753800	2X	
103	PIPE Ø22 FLOW/RETURN	S4743200	2X	
105	FLOW RESTR.CH Ø9MM WHITE	S4747900	X	
106	CAP HYDRO BLOCK 1/2"	S4747000	4X	
107	O-RING 18.00X2.00 CAP HYDROBL(4X)	S4753700	4X	
109	CONDENSATE COLLECTOR PF/ESHR	S4421300	X	
110	PLUG 1/4"	S4674500	X	
111	SYPHON PF/ESHR	S4421200	X	
112	O-RING ø40X3.53 SYPHCONDTR SHR	S4309900	2X	
113	O-RING ø18.72X2.62 EPDM 3X	S4443200	X	
118	O-RING 18.64X3.53 PLH A-SERIE (4X)	S4743800	4X	



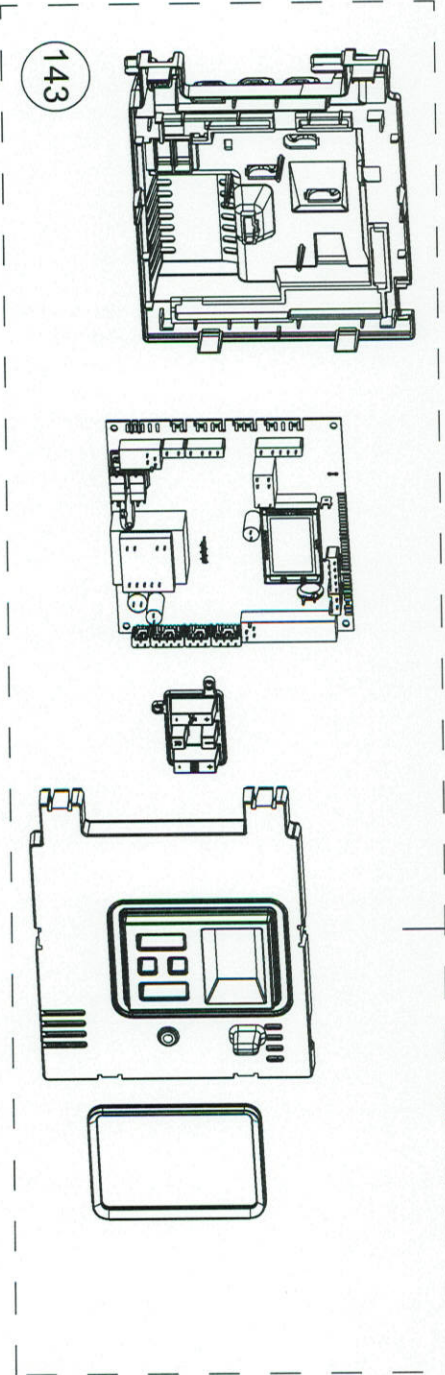
Pos.	Description	Art.nr.	ATAG A-Series	
			Combi	A203C
119	PLATE HEAT EXCHANGER OSS1	S4746400	X	
121	PIPE FLOW A-SERIE OSS1	S4742900		
	BOLT M6X20 SS IMB,BP 4,2 3X	S4307220	3X	
	O-RING 4,8X1,8 LOCK,HE SHR 3X	S4322320	3X	
122	PUMP GASKET 2X	S0009000	2X	
123	PIPE HYDRO BLOCK-PUMP	S4743100	X	
124	O-RING ø4,8X1,8 (2X)	S4360500	2X	
127	SAFETY CLAMP PIPES HYDROBL,(10X)	S4747100	11X	
131	SUPPORT BRACKET	S4439400	X	
132	EXPANSION VESSEL 8L	S4527400	X	
133	CLAMPING STRIP WITH LOCK	S4438200	X	
134	GASKET 15X11X2	S4431600	2X	
135	FLEXIBLE HOSE 3/8" BIX10MM CLAMP	S4431500	X	



147



143



143

Pos.	Description	Art.nr.	ATAG A-Series	
			Combi	A203C
140	INTERFACE PCB STEPPERMOTOR A-SERIE	S4753400	X	
141	POWER SUPPLY+CABLE INTERFACE PCB	S4753500	X	
143	CONTROL UNIT LMU84 A-SERIES		X	
144	FUSE T3,15 250V (3X)	S4749200	2X	
145	THREE WAY VALVE STEPPER	S4746900	X	
146	FLOW SENSOR	S4746800	X	
147	PUMP UP 15-50	S4741900	X	
150	CABLE TREE 230V A-SERIES	S4744600	X	
151	CABLE TR.LOW VOLT. BASE A-SERIES	S4744700	X	
152	CABLE TR.LOW VOLT. COMBI A-SERIES	S4744800	X	
153	POWER SUPPLY CABLE 230V A-SERIES	S4746600	X	
154	CONNECTOR ROOMTHERM.	S4745100	X	
155	CONNECTOR EXTERN SAFETY CONT.	S4745200	X	
160	NTC RETURN 10K A-SERIES	S4746000	X	
161	WATERPRESS SENS +ADAPTERCABLE	S4466300	X	
162	NTC FLOW 10K A-SERIES	S4745900	X	
163	IGNITION ELECTRODE+GASKET OSS	S4710100	X	
164	FAN MOTOR 230V A-SERIES	S4742800	X	
165	GAS VALVE A-SERIES INCL. CAP	S4751900	X	
166	IGNITION TRAF O A-SERIES	S4744100	X	
	IGNITION CABLE SET A-SERIES	S4754400	X	
167	NTC DHW 10K A-SERIES	S4746100	X	