

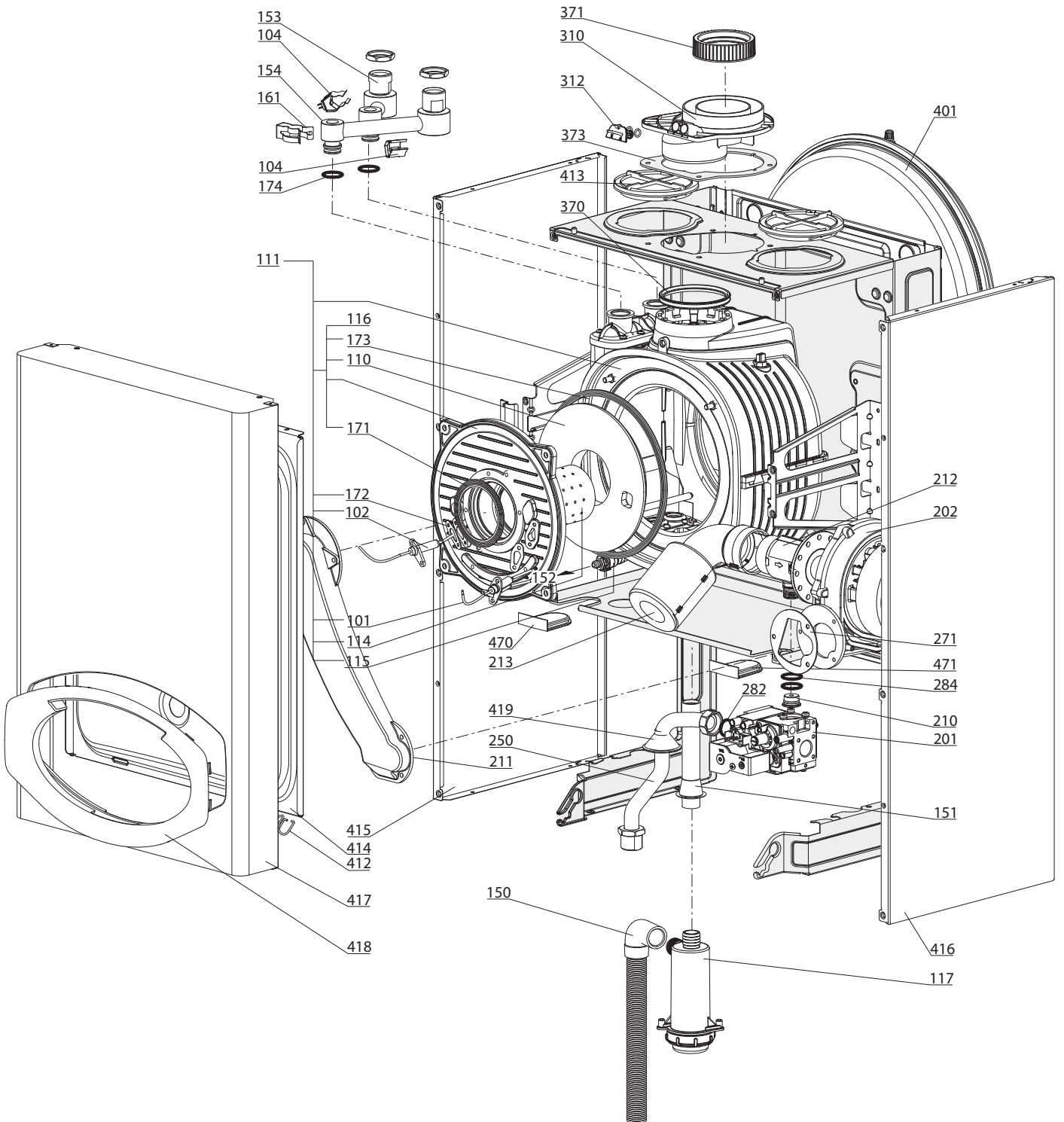
# SPARE PARTS EXPLODED VIEW GAS WALL BOILERS

Model

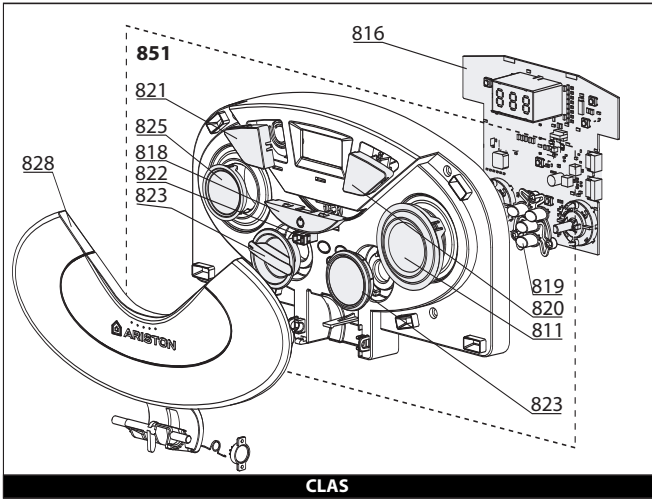
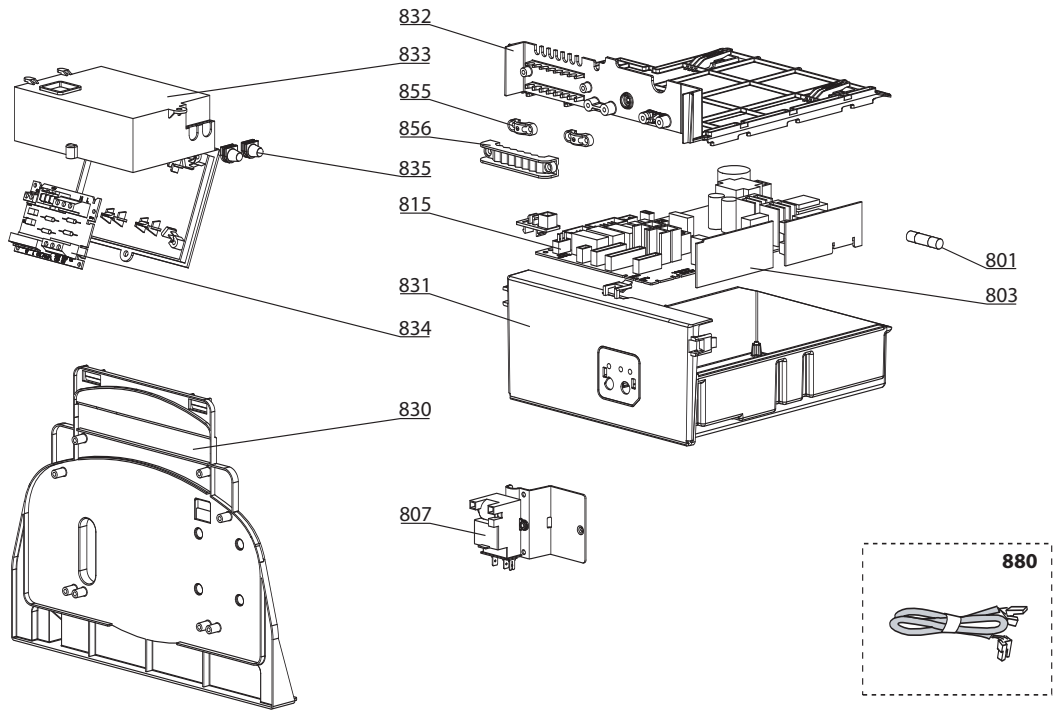
## **CLAS HE R**

R8203110-01EN - Edition 01 - 07/10/2008

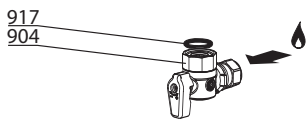
3665086		CLAS HE R 12 NG	...	...
3665087		CLAS HE R 18 NG	...	...
3665088		CLAS HE R 24 NG	...	...
Reference	Ind.	Model type	Begin	End



Key N	Description	Manf. Pt. N	Type	HE R			Manf. date	
				CLAS			from	to
				12	18	24		
<b>0100</b>	<b>BURNER ASSEMBLY</b>							
0101	IGNITION ELECTRODE	60000868		•	•	•		
0102	IONIZATION ELECTRODE	60000867		•	•	•		
0104	TEMPERATURE PROBE + CLIP	990686		•	•	•		
0110	INSULATION (FRONTAL)	60000297		•	•	•		
0111	EXCHANGER 12/18KW	60001225		•	•			
	EXCHANGER 24KW	60001226				•		
0114	BURNER 24KW	60000288				•		
	BURNER 12-18KW	60000864		•	•			
0115	AIR SEPARATOR	60000994		•	•	•		
0116	DOOR ASSY	60000318		•	•	•		
0117	TRAP	60001343		•	•	•		
0150	TUBE PVC D:19 L:247	60001143		•	•	•		
0151	FLEXIBLE PIPE	60001142		•	•	•		
0152	SILICONE TUBE D: 8x1 L: 0.15M	60001013		•	•	•		
0153	HEATING RETURN TUBE	60001138				•		
	HEATING RETURN TUBE	60001139		•	•			
0154	HEATING FLOW TUBE	60001140				•		
	HEATING FLOW TUBE	60001141		•	•			
0161	CLIP	60000309		•	•	•		
0171	GASKET D:85-66.5-2.5	61314753		•	•	•		
0172	ELECTRODE GASKET	60000286		•	•	•		
0173	DOOR GASKET	60000623		•	•	•		
0174	O-RING D: 17.86-2.62	61308091		•	•	•		
<b>0200</b>	<b>GAS SECTION</b>							
0201	GAS VALVE	60000537		•	•	•		
0202	FAN ASSY	60000622		•	•	•		
0210	GAS RESTRICTOR D: 4.50	60000633		•				
0211	DUCT FIRST SECTION	60000290		•	•	•		
0212	VENTURI D: 17MM	60000536			•	•		
	VENTURI D: 14MM	65105894		•				
0213	SILENCER	60000539		•	•	•		
0250	GAS TUBE 12/18/24 KW	60001230		•	•	•		
0271	GASKET	61306072		•	•	•		
0282	SHEET GASKET D: 24-18.2-1.5	60022835-01		•	•	•		
0284	O-RING D: 17.76-1.78	61308092		•	•	•		
<b>0300</b>	<b>FAN ASSEMBLY</b>							
0310	BI FLUX CONNECTION	60000523		•	•	•		
0312	FLUE INTAKE PLUG	65104295		•	•	•		
0370	SEALING RING 80mm	60000315		•	•	•		
0371	GASKET	60000316		•	•	•		
0373	GASKET	60000317		•	•	•		
<b>0400</b>	<b>SEALED CASE</b>							
0401	EXPANSION VESSEL	65104261		•	•	•		
0412	SPRING FRONT PANEL (KIT)	65104298		•	•	•		
0413	AIR RETURN COVER	65104249		•	•	•		
0414	PANEL (FRONT - SEALED CHAMBER)	60000986		•	•	•		
0415	LEFT HAND PANEL	60001148		•	•	•		
0416	RIGHT SIDE PANEL	60001150		•	•	•		
0417	CASE	60001153		•	•	•		
0418	FACIA	60001152		•	•	•		
0419	GROMMET	61010109		•	•	•		
0470	CABLE INLET RUBBER WASHER	60000540		•	•	•		
0471	CABLE INLET RUBBER WASHER	60000541		•	•	•		



900



5000

**5001**  
 Transf. gaz > GPL  
 Conv. gas > GPL  
 Trsf. gas > GPL  
 Transf. gas > GPL

**5002**  
 Transf. gaz > Nat  
 Conv. gas > Nat  
 Trsf. gas > Met  
 Transf. gas > Met

**5020**  
 Options  
 Accessories  
 Opzioni  
 Accessorio

Key N	Description	Manf. Pt. N	Type	HE R			CLAS	Manf. date	
				12	18	24		from	to
<b>0800</b>	<b>ELECTRICAL BOX</b>								
0801	FUSE 250V 2A	60054442		•	•	•			
0803	REMOTE CONTROL INTERFACE	65105815		•	•	•			
0807	IGNITER	61002105-20		•	•	•			
0811	HOLE PLATE	60001237		•	•	•			
0815	PRINTED CIRCUIT BOARD	60000566		•	•	•			
0816	PRINTED CIRCUIT BOARD (DISPLAY)	65104448		•	•	•			
0818	PUSH BUTTON ON/OFF	65104267		•	•	•			
0819	PUSH BUTTON GROUP (MENU)	65104503		•	•	•			
0820	PUSH BUTTON (R.H.SIDE)	60001238		•	•	•			
0821	PUSH BUTTON (L.H.SIDE)	65104229		•	•	•			
0822	PUSH (CASE DOOR)	65100676		•	•	•			
0823	KNOB	65104450		•	•	•			
	PLUG	65105185		•	•	•			
0825	HOLE PLATE	60001144		•	•	•			
0828	FRONT COVER	65104449		•	•	•			
0830	CONTROL PANEL	60001229		•	•	•			
0831	BOX (MAIN BOARD)	60001228		•	•	•			
0832	COVER (ELECTRIC BOX)	65107059		•	•	•			
0833	CONNECTION BOX	60001145		•	•	•			
0834	P.C.B. (SCHEDA CLIP-IN HIGHT VOLTAGE)	60001147		•	•	•			
0835	BLIND GROMMET	569720		•	•	•			
0851	SERIGRAPHED STRIP KIT	60001239		•	•	•			
0855	CABLE CLAMP	571562		•	•	•			
0856	CABLE CLAMP	65103377		•	•	•			
0880	ELECTRODE IGNITION CABLE	60000527		•	•	•			
	EARTH WIRE	65104286		•	•	•			
	DISPLAY WIRING	60001233	/ CN02	•	•	•			
	IGNITOR CABLE	60000543	/ CN03	•	•	•			
	SHUNT CABLE	60001232	/ CN04	•	•	•			
	IONIZATION ELECTRODE CABLE	60001235	/ CN05	•	•	•			
	FEEDER	60001146	/ CN08	•	•	•			
	PUMP CABLE	60001236	/ CN10	•	•	•			
	ROOM THERMOSTAT CABLE	60001240	/ CN18	•	•	•			
	OVERHEAT THERMOSTAT CABLE	60001234	/ CN22	•	•	•			
<b>0900</b>	<b>JIG PLATE &amp; PIPE FITTING</b>								
0904	GAS SERVICE TAP	60000899		•	•	•			
0917	SHEET GASKET D: 24-17-1.5	60061855-19		•	•	•			
<b>5000</b>	<b>ACCESSORIES</b>								
5001	BURNER JET FULL KIT (LPG)	60000752			•	•			
	BURNER JET FULL KIT (LPG)	60001126		•					
5020	CLEANING KIT CONDENSATION	60000982		•	•	•			
	AIR RETURN MANIFOLD	65104710		•	•	•			

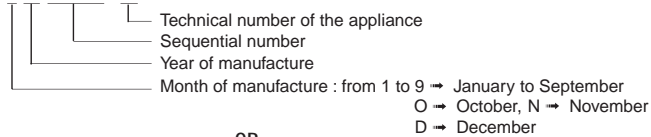
## LIST OF THE ABBREVIATIONS

HW .....	: Hot water.
CW .....	: Cold water.
C .....	: Ceramic resistance (normal heating).
Ca .....	: Ceramic resistance (accelerated heating)
TP .....	: Immersion heater.
1F .....	: With fittings.
2F .....	: Without fittings.
3F .....	: With fittings and another outlet connection.
AMI .....	: With mixing valve.
SMI .....	: Without mixing valve.
PUISS .....	: Power of th appliance.
PN .....	: Appliance with normal pression.
LP .....	: Appliance with low pression.
PV .....	: Appliance with variable power.
PF .....	: Appliance with fixed power..

## IDENTIFICATION PLATE

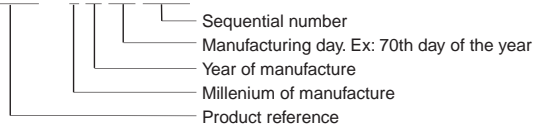
### SERIAL NUMBER

Ex: 1 95 065004 - 31



OR

Ex: 0537095 XX 2 07 070 00315



The indications mentioned on the prices, commercial or technical literature and the scheme are written for your guidance and are available at a given time. The CONSTRUCTOR retains the power to modify the presentation, the form, the size, the conception or the material of the products.