

SPARE PARTS EXPLODED VIEW GAS WALL BOILERS

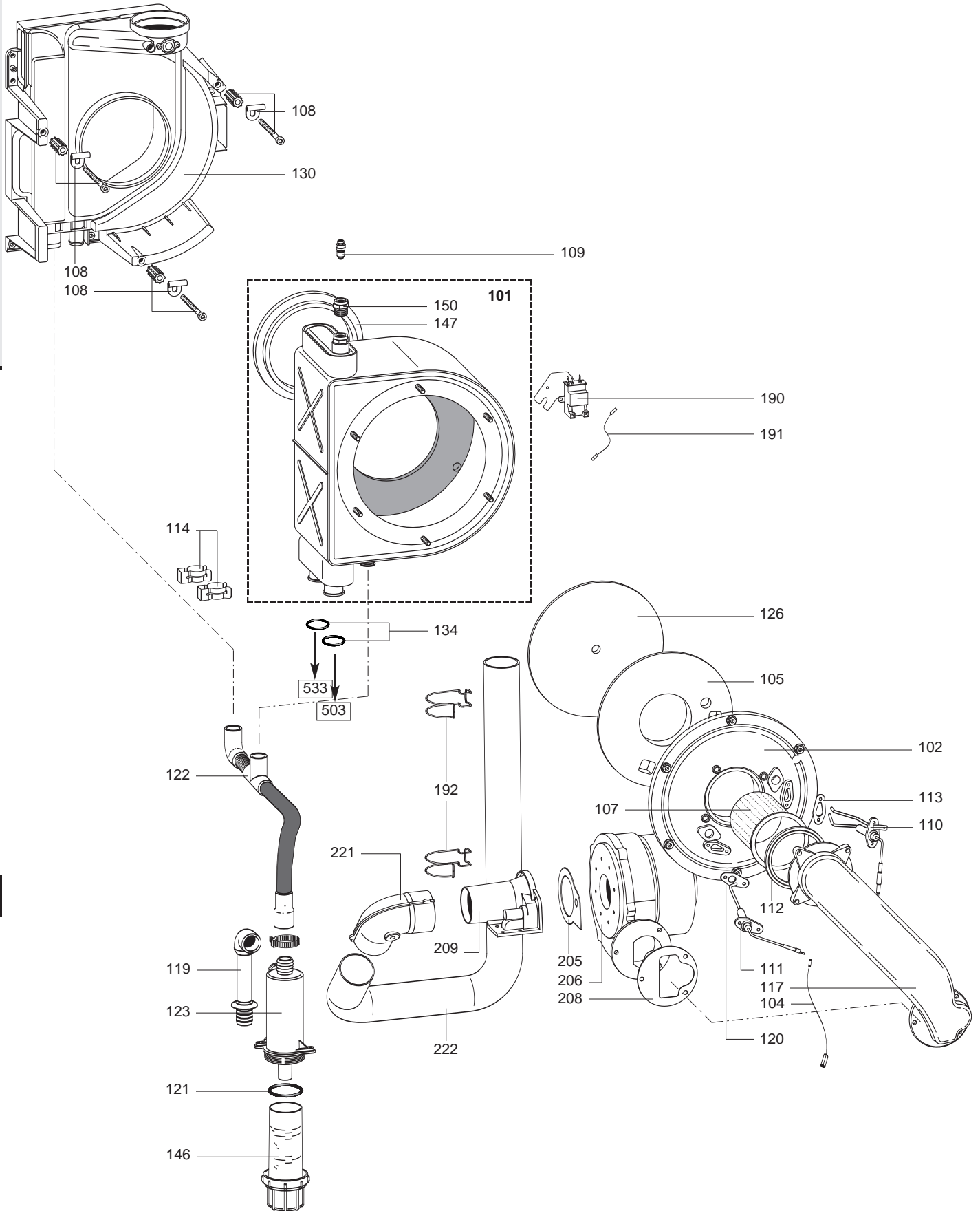
Model

ACO HP

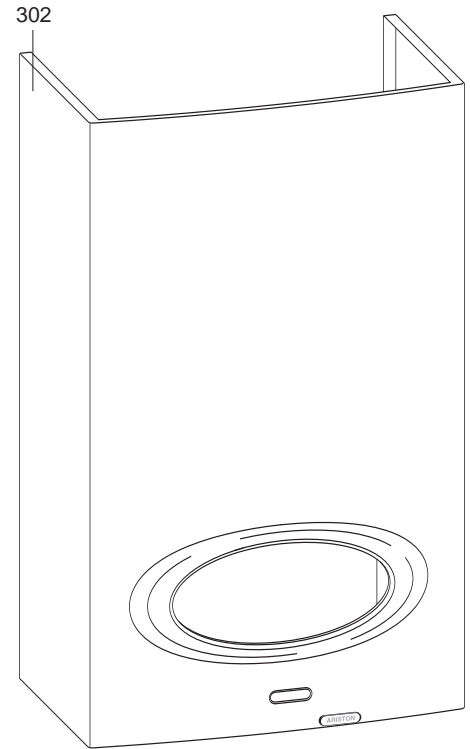
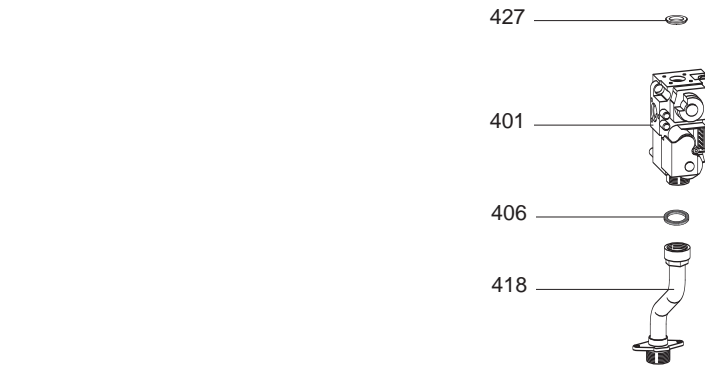
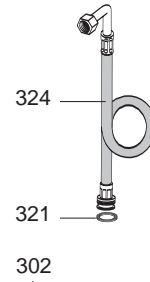
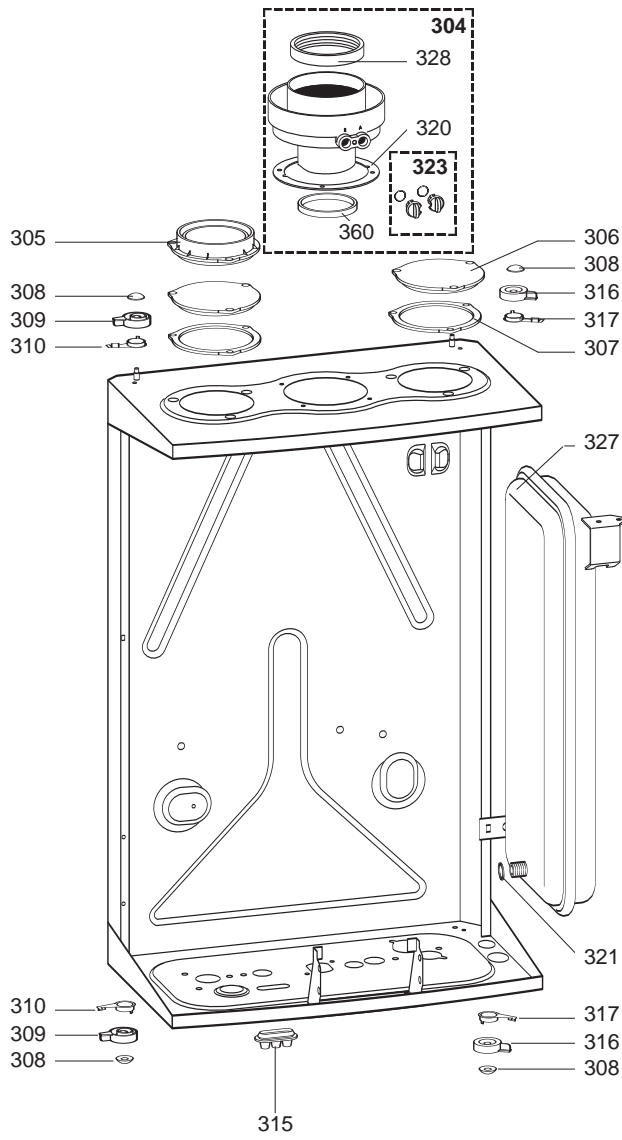
R8215284-01EN - Edition 01 - 02/01/2006

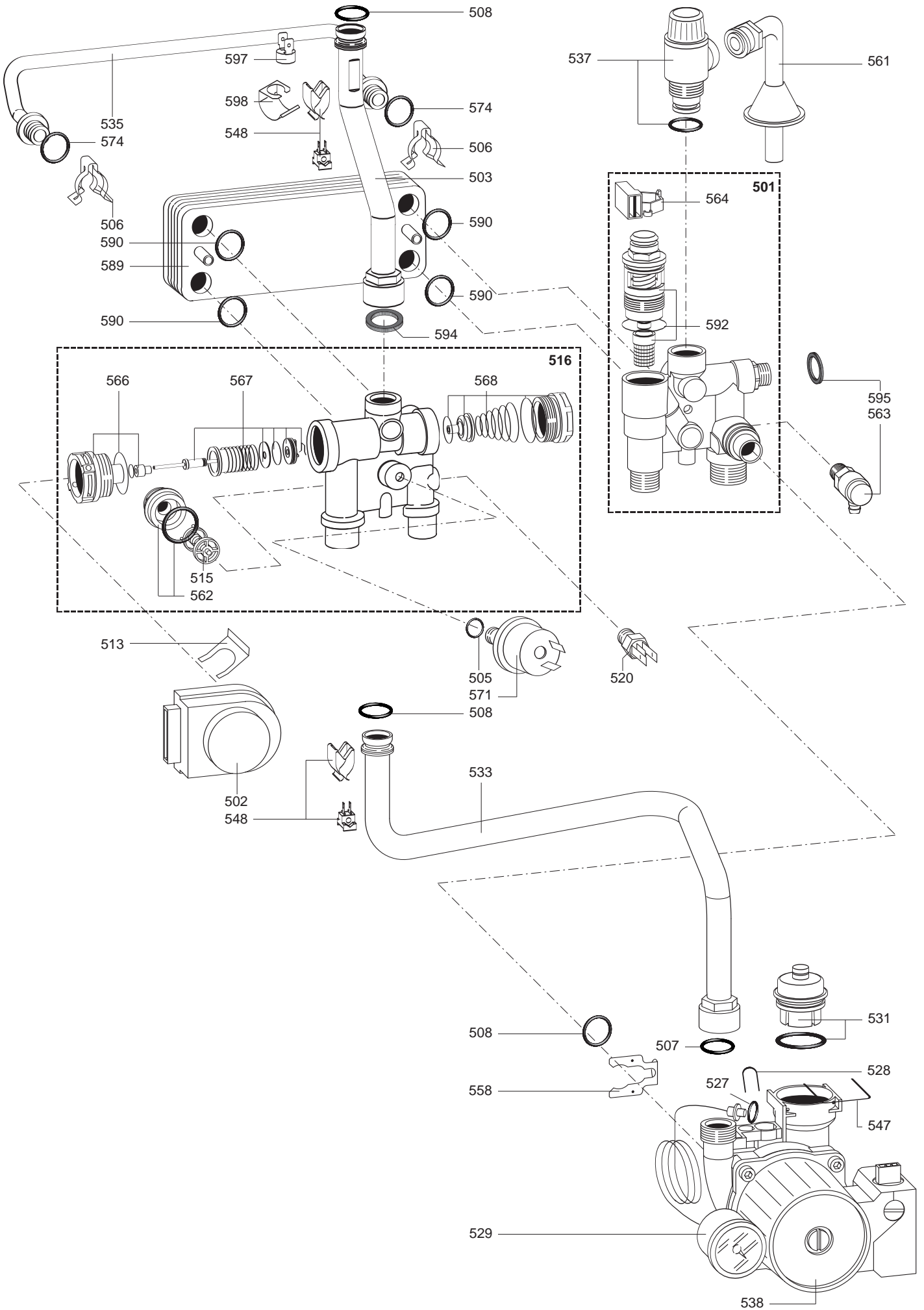


3300076		ACO 35 HP MFFI UK
Reference	Ind.	Model type	Begin	End

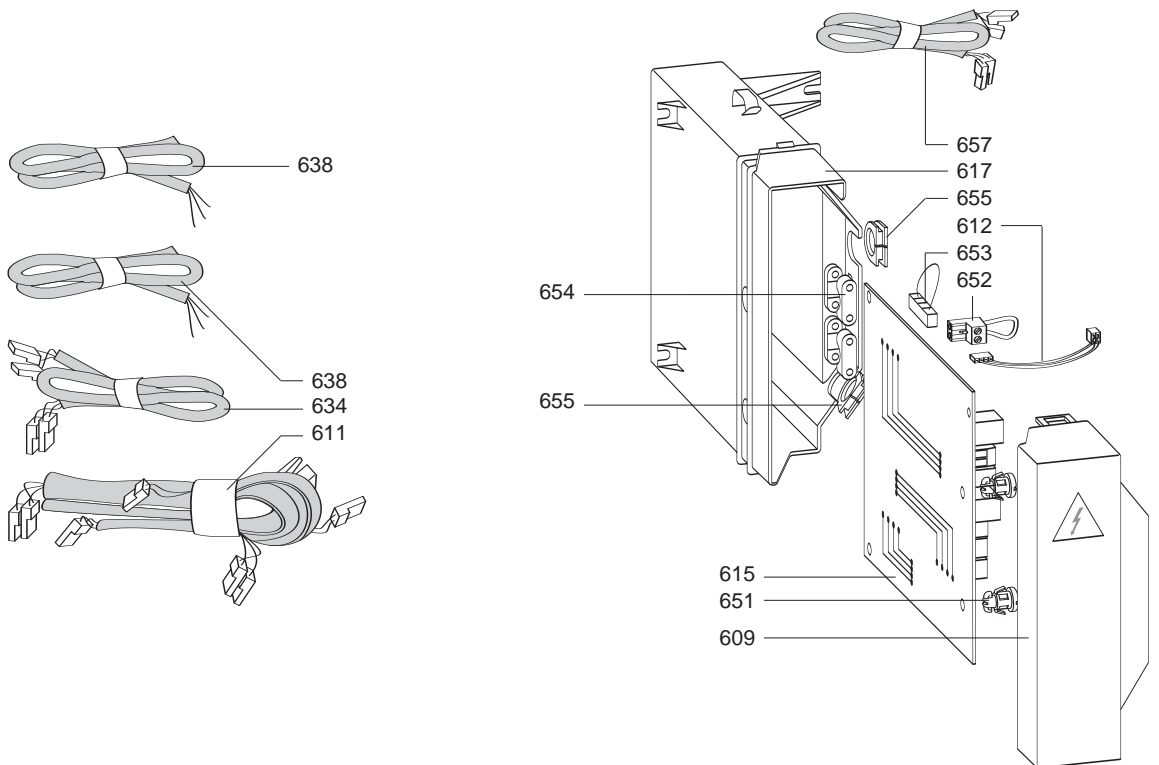
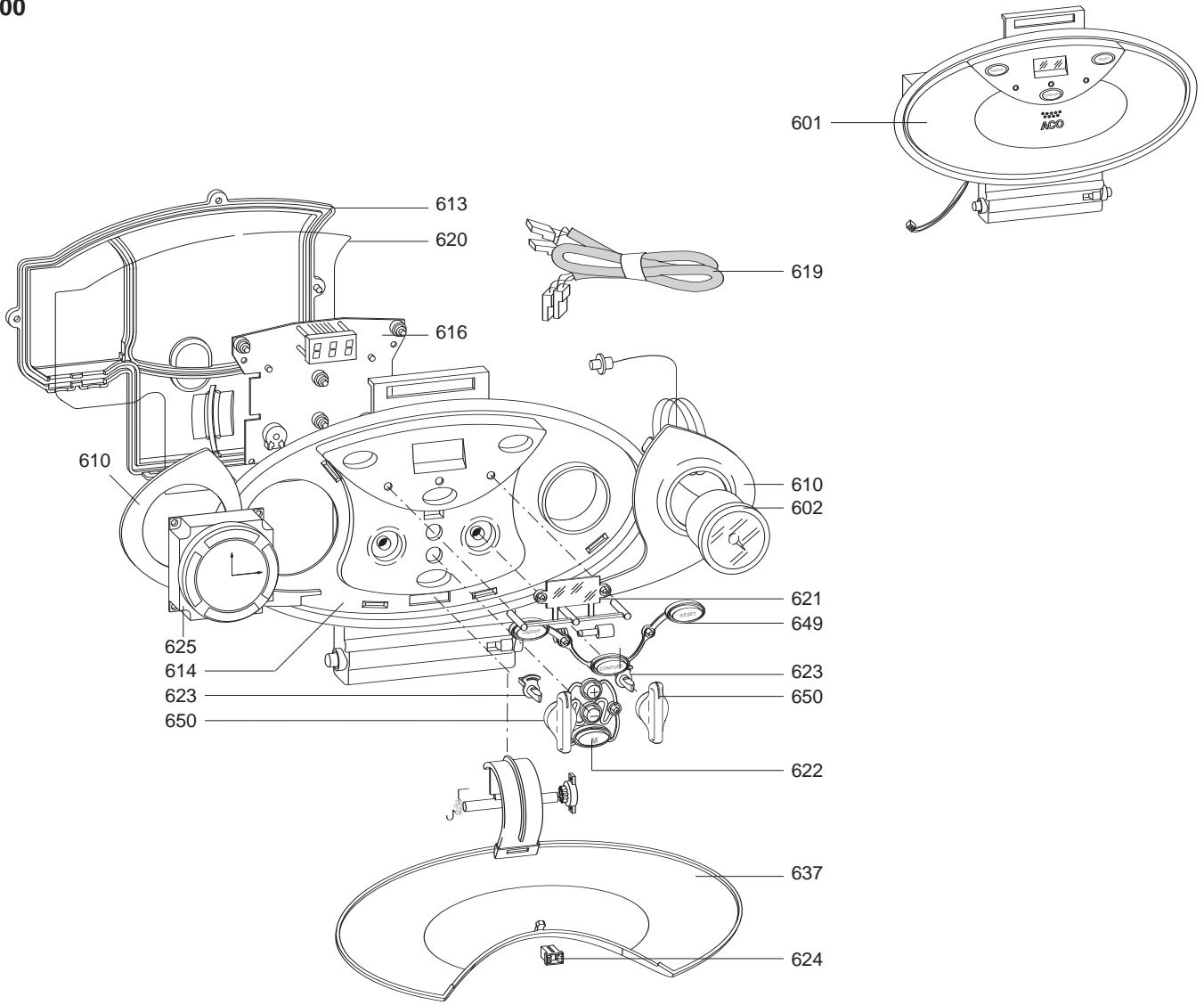


Key N°	Description	Manf. Pt. N°	Other	Type	MFFI	Manf. date	
						from	to
0100	SEALED CASE						
0101	MAIN EXCHANGER	65103385			●		
0102	PANEL (EXCHANGER - FRONT)	65103376			●		
0104	CABLE (DETECTION ELECTRODE)	65103517			●		
0105	PANEL (INSULATION - FRONT)	65103360			●		
0107	BURNER	65103333			●		
0108	FIXING KIT	65103356			●		
0109	AIR VALVE FITTING	998564			●		
0110	ELECTRODE (IGNITION)	65103358			●		
0111	ELECTRODE (DETECTION)	65103359			●		
0112	GASKET D:85-66.5-2.5	61314753			●		
0113	GASKET (ELECTRODE)	65103367			●		
0114	CLIP	61307589			●		
0117	GAS PIPE	65103520			●		
0119	OUTSIDE PIPE (CONDENSATE)	65103491			●		
0120	GASKET (ELECTRODE)	65103476			●		
0121	O-RING (3175 EPDM D=44.9)	990695			●		
0122	DISCHARGE PIPE (CONDENSATE)	65103492			●		
0126	PANEL (INSULATION - REAR)	65103361			●		
0130	EXCHANGER SUPPORT	65103496			●		
0134	O-RING	998424			●		
0147	GASKET D:129.4	61306030			●		
0150	UNION (AIR RELEASE VALVE)	65103477			●		
0190	SPARK GENERATOR	65103516			●		
0191	EARTH CABLE (SPARK GENERATOR)	65103518			●		
0192	PIPE (SILENCER) SPRING	65103515			●		
0200	FAN ASSEMBLY						
0205	GASKET	61307587			●		
0206	FAN ASSY	61314434			●		
0208	GASKET	61306072			●		
0209	VENTURI D:24	61315540			●		
0221	ELBOW (FAN SUCTION SILENCER)	65103507			●		
0222	PIPE (SUCTION SILENCER)	990669			●		





Key N°	Description	Manf. Pt. N°	Other	Type	MFFI	Manf. date	
						from	to
0500	WATER SECTION ASSY						
0501	RETURN GROUP	65103498			●		
0502	MOTOR (3-WAY VALVE)	997147			●		
0503	PIPE (C.H. FLOW)	65103494			●		
0505	GASKET 1/4	569390			●		
0506	SPRING (BY-PASS PIPE)	65103521			●		
0507	O-RING	999325			●		
0508	O-RING	998424			●		
0513	FIXING CLIP (MOTOR)	997077			●		
0515	BY-PASS	996046			●		
0516	FLOW GROUP	65103497			●		
0520	TEMPERATURE PROBE (D.H.W.)	998458			●		
0527	O-RING 5030 EPDM	998517			●		
0528	U-CLIP	571548			●		
0529	PRESSURE GAUGE	65102220			●		
0531	AUTO AIR VENT + O-RING	995367			●		
0533	PIPE (C.H. RETURN)	65103495			●		
0535	BY-PASS PIPE	65103513			●		
0537	SAFETY VALVE (1/2 3 BAR)	573172			●		
0538	KIT FOR REAR PUMP ATTACHMENT	65103500			●		
0547	U-CLIP (AUTO AIR VENT)	995368			●		
0548	TEMPERATURE PROBE + CLIP	65103502			●		
0558	CLIP	65102587			●		
0561	PIPE (SAFETY VALVE OUTLET)	65103512			●		
0562	CENTRAL HEATING BY-PASS KIT	998490			●		
0563	DRAIN VALVE	573727			●		
0564	FLOW DETECTION KIT WITH MAGNET	65100540			●		
0566	ACTUATOR BUSH (C.H.)	998013			●		
0567	3-WAY SPRING KIT	571447			●		
0571	LOW WATER PRESSURE SWITCH	995903			●		
0574	O-RING GASKET	998077			●		
0589	SECONDARY EXCHANGER	65103501			●		
0590	O-RING	573825			●		
0592	3-WAY SPRING KIT (D.H.W.)	65103545			●		
0594	GASKET 3/4	573520			●		
0595	GASKET 3/8	573521			●		
0597	THERMOSTAT (OVERHEAT)	996065			●		
0598	CLIP	61010050			●		





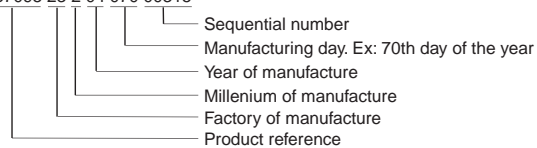
LIST OF THE ABBREVIATIONS

HW	: Hot water.
CW	: Cold water.
C	: Ceramic resistance (normal heating).
Ca	: Ceramic resistance (accelerated heating)
TP	: Immersion heater.
1F	: With fittings.
2F	: Without fittings.
3F	: With fittings and another outlet connection.
AMI	: With mixing valve.
SMI	: Without mixing valve.
PUISS	: Power of th appliance.
PN	: Appliance with normal pression.
LP	: Appliance with low pression.
PV	: Appliance with variable power.
PF	: Appliance with fixed power..

IDENTIFICATION PLATE

SERIAL NUMBER

Ex: 0537095 23 2 04 070 00315



The indications mentioned on the prices, commercial or technical literature and the scheme are written for your guidance and are available at a given time. The CONSTRUCTOR retains the power to modify the presentation, the form, the size, the conception or the material of the products.