

FASTflo (external)

Installation Guide, Operation and Maintenance Manual

Continuous Flow Wall Hung Balanced Flue
Water Heaters for Natural Gas and LPG

WHX56, LWHX56



Working towards
a cleaner future





Reproduction of any information in this publication by any method is not permitted unless prior written approval has been obtained from Andrews Water Heaters.

Andrews Storage Water Heaters have been designed and manufactured to comply with current international standards of safety. In the interests of the health and safety of personnel and the continued safe, reliable operation of the equipment, safe working practices must be employed at all times. The attention of UK users is drawn to their responsibilities under the Health and Safety Regulations 1993.

All installation and service on Andrews Water Heaters must be carried out by properly qualified personnel and, therefore, no liability can be accepted for any damage or malfunction caused as a result of intervention by unauthorised personnel.

Andrews Water Heaters' policy is one of continuous product improvement and, therefore, the information in this manual, whilst completely up to date at the time of publication, may be subject to revision without prior notice.

Further information and assistance can be obtained from:

Andrews Water Heaters
Wood Lane, Erdington,
Birmingham B24 9QP

Tel: 0845 070 1055
Fax: 0845 070 1059
Email: andrews@baxigroup.com
Website: www.andrewswaterheaters.com

	PAGE
GENERAL AND SAFETY INFORMATION	4
SECTION 1 INCLUDED ACCESSORIES	7
SECTION 2 OPTIONAL ACCESSORIES	7
SECTION 3 QUICK CONNECT MULTI SYSTEM INSTALLATION	8
SECTION 4 BEFORE INSTALLATION	9
SECTION 5 CHOOSING INSTALLATION SITE	10
SECTION 6 INSTALLATION CLEARANCES	11
SECTION 7 INSTALLATION	12
SECTION 8 GAS PIPING	13
SECTION 9 WATER PIPING	14
SECTION 10 ELECTRICAL WIRING	15
SECTION 11 COMMISSIONING	17
SECTION 12 DIMENSIONS	19
WIRING DIAGRAM	20
SECTION 13 REMOTE CONTROLLER INSTALLATION	21
SECTION 14 SERVICING	22
SECTION 15 DISASSEMBLY	22
SECTION 16 SERVICING PARTS LIST	32
SPECIFICATIONS	39

GENERAL AND SAFETY INFORMATION

The Andrews Water Heater has been designed for use with NATURAL GAS OR LPG and is manufactured to give an efficient, reliable and long service life.

To ensure the continued, trouble-free operation of your heater at maximum efficiency, it is essential that correct installation, commissioning, operation and service procedures are carried out strictly in accordance with the instructions given in this manual. By law, installation and commissioning of the heater must be carried out by properly qualified personnel.

The heater(s) must be installed in accordance with the following requirements:

The current GAS SAFETY (INSTALLATION AND USE) REGULATIONS

The current BUILDING REGULATIONS

The WATER SUPPLY (WATER FITTINGS) REGULATIONS 1999

Additionally, installation should be performed in accordance with all relevant requirements of the Gas Supplier, Local Authority and recommendations of the British Standards and Codes of Practice detailed below.

BRITISH STANDARDS AND CODES OF PRACTICE

BS 6700: 1997 Specification for design, installation, testing and maintenance of services supplying water for domestic use within buildings and their curtilages. This standard supersedes the following British Standards and Codes of Practice: CP99, CP310, CP324, 202, CP342 Part 2, Centralised Hot Water Supply.

BS 5440:1990 Installation of flues and ventilation for gas appliances of rated output not exceeding 60kW.

Part 1 Specification for installation of flues.

Part 2 Specification for installation of ventilation for gas appliances.

BS 5546:1990 Installation of gas hot water supplies for domestic purposes.

BS 6891 Installation of low pressure gas pipework of up to 28mm in domestic premises.

BS 6644 Installation of gas fired water boilers of rated inputs between 60kW and 2mW

BS 7206:1990 Specification for unvented hot water storage units and packages.

I/M2 Purging procedures for non-domestic gas installations.

I/M5 Soundness testing procedures for industrial and commercial gas installations.

I/M11 Flues for commercial and industrial gas fired boilers and air heaters.

I/M16 Notes on installation of gas pipework (excluding 25mm and below).

LPGA Code of practice 7:

Storage of full and empty LPG cylinders and cartridges. Highly Flammable Liquids and Liquid Petroleum Gases Regulations 1972.

IGE/UP/10 Part 1 Edition 2:

Installation of Gas Appliances in Industrial and Commercial Premises.

Terms:

- a. Andrews Water Heaters accepts no liability for any damage resulting from failing to accurately follow the instructions.
- b. When replacing parts during maintenance, only original parts from Andrews Water Heaters should be used; these can be recognised by the name of the manufacturer printed on them.

HEALTH AND SAFETY REGULATIONS 1993

It is the duty of manufacturers and suppliers of products for use at work to ensure, so far as is practicable, that such products are safe and without risk to health when properly used, and to make available to users adequate information about their safe and proper operation.

Andrews Water Heaters should only be used in the manner and purpose for which they are intended and in accordance with the instructions in this manual. Although the heaters have been manufactured with paramount consideration to safety, certain basic safety precautions highlighted in this manual must be observed by the user.

It is imperative that all users of the heaters must be provided with all the information and instruction necessary to ensure correct and safe operation.

EFFECTIVENESS IN COMBATING LEGIONELLA

Water systems in buildings have been associated with outbreaks of Legionnaires' Disease, particularly in health care facilities where occupants are significantly more susceptible to infection.

In recognition of the risks in hospitals, a Code of Practice for the Control of Legionella in Health Care premises has been issued by the Department of Health (1991). Codes of Practice applicable to other premises have been published by other organisations, principally the Health and Safety Executive (HS)(G70) and the Chartered Institute of Building Services Engineers (CIBSE, TM13).

All Codes of Practice draw attention to the design and operation of water systems with reference to avoidance of factors that favour colonisation by Legionella bacteria. These factors include stagnation, lukewarm conditions (20°C to 45°C) and the accumulation of debris, scale and corrosion in the base of tanks and calorifiers.

Andrews Water Heaters have commissioned an independent evaluation of their products to investigate their resistance to build-up of Legionella bacteria.

Experiments were conducted to determine whether, following a substantial challenge by legionella pneumophila. After overnight and stagnation, the system was rendered free from viable recoverable legionella. It was found that at 61°C, following a challenge of approximately 107 organisms per litre, within one hour, more than 99.999% of organisms had been killed. After a subsequent stagnation period, sampling did not reveal any residual contamination. The design of the base of the water heater precludes legionella colonisation, even after build-up of debris. The burner positioning ensures that the water at the bottom of the heater reaches the same, or higher, temperatures as in the rest of the heater.

Based on data obtained through experiment, the Andrews Water Heater can be described as legionella resistant as it is considered unlikely that, at the temperature tested, the organism would colonise the water heater and present a possible health risk.

WARNING: If the information in this manual is not followed exactly, a fire or explosion may result causing property damage, personal injury or death.

- Do not store or use gasoline or other flammable vapors and liquids in the vicinity of this or any other appliance.

- WHAT TO DO IF YOU SMELL GAS

- **Do not try to light any appliance.**
- **Do not touch any electrical switch; do not use any phone in your building.**
- **Immediately call your gas supplier from a neighbor's phone. Follow the gas supplier's instructions.**
- **If you cannot reach your gas supplier, call the fire department.**

- Installation and service must be performed by a qualified installer, service agency or the gas supplier.




Installation Manual

GAS WATER HEATER

WHX56, LWHX56 (External)

WARNING: If the information in this manual is not followed exactly, a fire or explosion may result causing property damage, personal injury or death.

Potential dangers from accidents during installation and use are divided into the following three categories. Closely observe these warnings, they are critical to your safety.

 Danger	Danger of serious injury or even death as well as danger of fire when the product is misused by ignoring this symbol.
 Warning	Possibility of serious injury or even death as well as possibility of fire when the product is misused by ignoring this symbol.
 Caution	Possibility of bodily injury or damage to property when the product is misused by ignoring this symbol.



Prohibited



Disconnect
Power



Earth



Be sure to do

Requests to Installers



Caution • In order to use the water heater safely, read this installation manual carefully, and follow the installation instructions.

- Failures and damage caused by erroneous work or work not as instructed in this manual are not covered by the warranty.
- Check that the installation was done properly in accordance with this Installation Manual upon completion.
- After completion of installation, be sure to hand the Operation Manual to the customer upon filling in all of the required items.

- The appliance must be installed in accordance with the Gas Safety (Installation and Use) Regulations and the rules in force in the country of installation.
- The manufacturer's instructions supplied.
- The Gas Safety (Installation and Use) Regulations.
- The appropriate Buildings Regulations either The Building Regulations, The Building Regulations (Scotland), The Building Regulations (Northern Ireland).
- In IE, the installation must be carried out by a competent person and installed in accordance with the current edition of I.S.813 "Domestic Gas Installations", the current Building Regulations and reference should be made to the current ETCl rules for Electrical Installation.




SAR8285-2



SAR8285 C


1. Included Accessories

The following accessories are included with the unit. Check for any missing items before starting installation.

Part	Shape	Q ty	Part	Shape	Q ty
Owner's Guide		1	Installation Manual (this document)		1
Tapping Screw		5			

2. Optional Accessories

The accessories listed below are not included with the units, but may be necessary for installation.

Part	Shape	Q ty	Part	Shape	Q ty
Remote Controller *		1	Quick Connect Cord		1

*One remote controller per controller per application is required

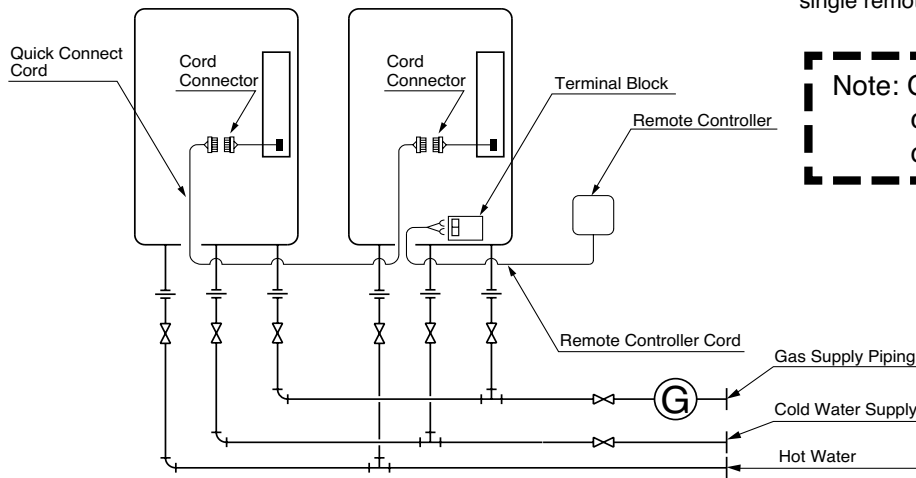
Item	Specification			
	WHX42	LWHX42	WHX56	LWHX56
Model Name	WHX42	LWHX42	WHX56	LWHX56
Flue Type	A ₃			
Category	I _{2H}	I _{3P}	I _{2H}	I _{3P}
Electrical Consumption	67W	66W	83W	83W
Gas Supply Pressure	G20 20mbar	G31 37mbar	G20 20mbar	G31 37mbar
Max. Burner Setting Pressure	7.3mbar	14.8mbar	7.3mbar	14.8mbar
Min. Burner Setting Pressure	2.7mbar	4.9mbar	2.7mbar	4.9mbar
Max. Water Pressure	10.0bar	10.0bar	10.0bar	10.0bar
Min. Water Pressure	1.0bar	1.0bar	1.0bar	1.0bar
Max. Heat Output	42.0kW	42.0kW	55.8kW	55.8kW
Min. Heat Output	4.3kW	4.3kW	4.3kW	4.3kW
Max. Heat Input (NET)	49.0kW	49.0kW	62.3kW	62.3kW
Min. Heat Input (NET)	5.0kW	5.0kW	5.0kW	5.0kW
Destination Countries	GB&IE	GB&IE	GB&IE	GB&IE
IP Rate	IPX4			

3. Quick Connect Multi System Installation

- The Quick Connect Multi System allows the installation of two units together utilizing only the Quick Connect Cord.

The Quick Connect Cord is 2m. long. Install the two units 470mm-950mm apart at the center to ensure the cord will be able to reach between the units. (See Typical Plumbing diagram). (If the distance between the two units is too great, not only will the cord not be able to reach, but the water temperature may also become unstable because of the difference in pipe length between the two units.)

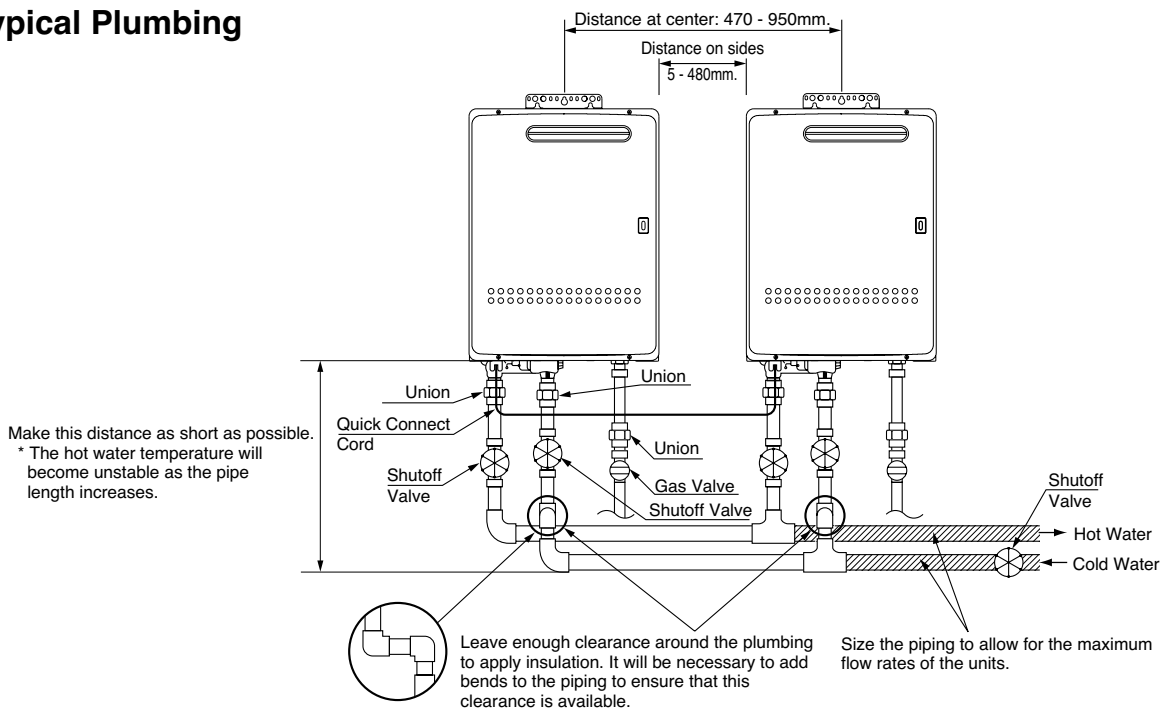
System Diagram



* When connecting 2 devices, use only a single remote controller.

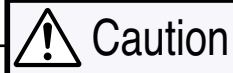
Note: Connect the remote controller to only one of the devices.

Typical Plumbing



- Insulate the hot water piping to prevent heat loss. Insulate and apply heating materials to the cold water supply piping to prevent heat loss and freezing of pipes when exposed to excessively cold temperatures.

4. Before Installation



Check the Gas

- Check that the rating plate indicates the correct type of gas.
Check that the gas supply line is sized for 62.3 kW(or 49.0 kW) for this unit.

Check the Power

- The power supply required is 230V AC, at 50Hz. Using the incorrect voltage may result in fire or electric shock.

Do Not Use Equipment for Purposes Other Than Those Specified

- Do not use for purposes other than increasing the temperature of the water supply, as unexpected accidents may occur as a result.

Check Water Supply Quality

- If the water supply is hard, acidic or otherwise impure, treat the water with approved methods in order to ensure full warranty coverage.

Use Extreme Caution if Using With A Solar Pre-Heater

- Using this unit with a solar pre-heater can lead to unpredictable output temperatures and possibly scalding. If absolutely necessary, use mixing valves to ensure output temperatures do not get to scalding levels. Do not use a solar pre-heater with the quick-connect multi-system.

Checkup

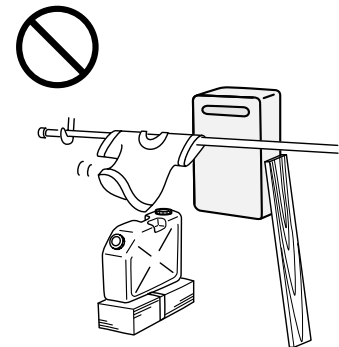
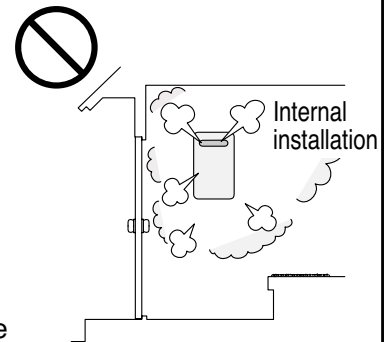
- Check the fixing brackets yearly for damage or wear. Replace if necessary.

5. Choosing Installation Site

* Locate the appliance in an area where leakage from the unit or connections will not result in damage to the area adjacent to the appliance or to the lower floors of the structure. When such locations cannot be avoided, it is recommended that a suitable drain pan, adequately drained, be installed under the appliance. The pan must not restrict combustion air flow.

Caution

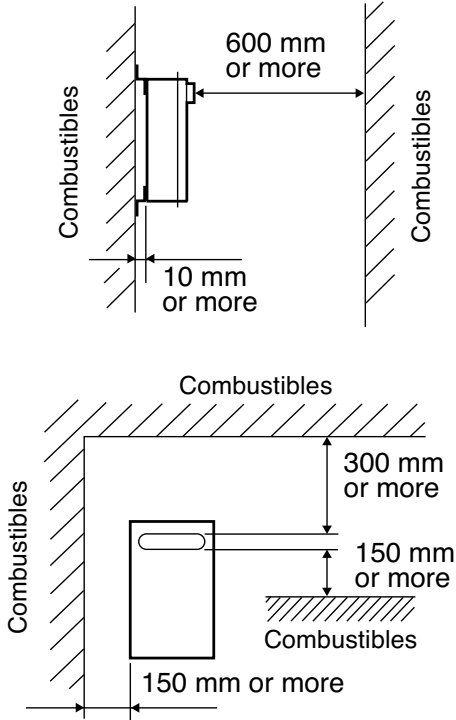
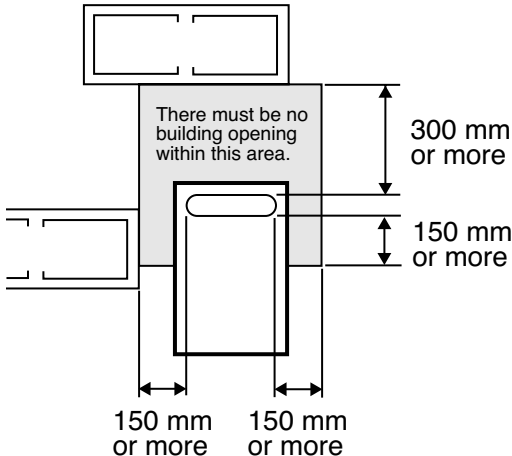
- The water heater is designed for external installation only. Never install it indoors or in a bathroom.
- Consult with the customer concerning the location of installation.
- Avoid places where fires are common, such as those where gasoline, benzene and adhesives are handled, or places in which corrosive gases (ammonia, chlorine, sulfur, ethylene compounds, acids) are present.
This may cause incomplete combustion or failures.
- Locate the water heater so that there are no obstacles around the termination and so that exhaust can't accumulate. Do not enclose the termination with corrugated metal or other materials.
- Install the water heater in an area that allows for the proper clearances to combustible and noncombustible construction. Consult the rating plate on the appliance for proper clearances.
- Do not install the water heater in a place where it may be threatened by falling objects, such as under shelves.
- Do not install the water heater where the exhaust will blow on outer walls or material not resistant to heat. Also consider the surrounding trees and animals.
The heat and moisture from the water heater may cause discoloration of walls and resinous materials, or corrosion of aluminum materials.
- Avoid installation in places where dust or debris will accumulate. Dust may block the air-supply opening, causing the performance of the fan motor to drop and incomplete combustion to occur as a result.
- Install in a location where the exhaust gas flow will not be affected by fans or range hoods.
- Take care that noise and exhaust gas will not affect neighbors.
- Avoid installation in places where special chemical agents (e.g., hair spray or spray detergent) are used.
Ignition failures and malfunction may occur as a result.



6. Installation Clearances

Before installing, check for the following:

Install in accordance with relevant building and mechanical codes, as well as any local, state or national regulations.

Item	Check	Illustration
Distance from combustibles	<ul style="list-style-type: none"> Maintain the following clearances from both combustible and non-combustible materials. 	
Clearances to Opening into Any Building	<ul style="list-style-type: none"> There must be a clearance of 600mm or more in front of the exhaust terminal. This restriction will not be applied to an area where an effective shield makes a clearance of 600mm or more in front of the exhaust outlet. 	

7. Installation

Securing to the wall



- The weight of the device will be applied to the wall. If the strength of the wall is not sufficient, reinforcement must be done to prevent the transfer of vibration.
- Do not drop or apply unnecessary force to the device when installing. Internal parts may be damaged and may become highly dangerous.
- Install the unit on a vertical wall and ensure that it is level.

Item	Check	Illustration
Locating Screw Holes	<div style="border: 1px solid black; padding: 5px; margin-bottom: 10px;"> Caution <ul style="list-style-type: none"> • When installing with bare hands, take caution to not inflict injury. • Be careful not to hit electrical wiring, gas, or water piping while drilling holes. </div> <ol style="list-style-type: none"> 1. Drill a single screw hole, making sure to hit a stud. 2. Insert and tighten the screw and hang the unit by the upper wall mounting bracket. 3. Determine the positions for the remaining four screws (two for the top bracket and two for the bottom), and remove the unit. 	<p style="text-align: center;">Location of Screw Hole</p>
Mounting	<ol style="list-style-type: none"> 4. Drill holes for the remaining four screws. 5. Hang the unit again by the first screw, and then insert and tighten the remaining four screws. 6. Take waterproofing measures so that water does not enter the building from screws mounting the device. 	<p style="text-align: center;">Tapping Screw</p>
Structure	<ul style="list-style-type: none"> • Make sure the unit is installed securely so that it will not fall or move due to vibrations or earth-quakes. 	

Terminal Guards

A terminal guard is required if persons could come into contact with the terminal or the terminal could be subject to damage.

If a terminal guard is required, it must be positioned to provide minimum of 50 mm clearance from any part of the terminal and be central over the terminal.

Part number: E528, Stainless Mesh Guard
 Manufacturer Details: KDS Engineering Limited
 Unit 7, Moor Street Industrial Estate
 Moor Street
 Brierley Hill
 West Midlands
 England
 DY5 3ST

8. Gas Piping

Follow the instructions from the gas supplier.

The appliance and its individual shutoff valve must be disconnected from the gas supply piping system during any pressure testing of that system at test pressures in excess of 35 mbar.

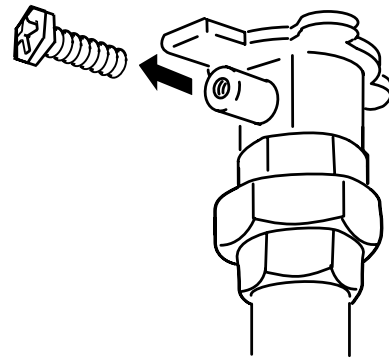
The Appliance must be isolated from the gas supply piping system by closing its individual manual shutoff valve during any pressure testing of the gas supply piping system at test pressures equal to or less than 35 mbar.

The appliance and its gas connections must be leak tested before placing the appliance in operation.

The inlet gas pressure must be within the range specified. This is for the purposes of input adjustment.

Measuring Gas Pressure

In order to check the gas supply pressure to the unit, a tap is provided on the gas inlet. Remove the hex head philips screw from the tap, and connect a manometer using a silicon tube.

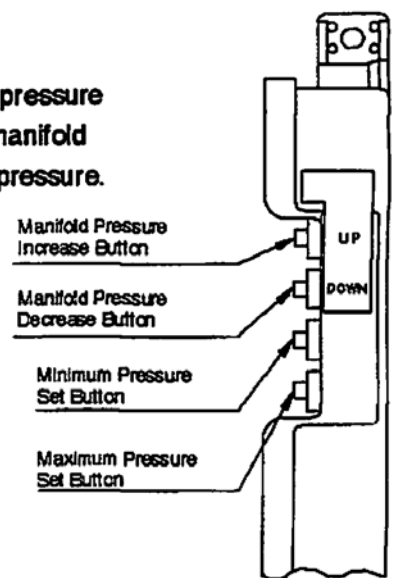


Manifold Gas Pressure Adjustment

NOTE:

* Use the following procedure to adjust the manifold gas pressure only if it can be done with a high flow rate through the unit.

- (1) With a manometer or pressure guage connected to the manifold pressure tap, press and hold the maximum pressure set button. Use the manifold pressure increase and decrease buttons to adjust to the correct pressure.
- (2) Press and hold the minimum pressure set button. Use the manifold pressure increase and decrease buttons to adjust to the correct pressure.
- (3) Repeat steps (1) and (2) until both are at the correct pressure.



Circuit Board

9. Water Piping

Ask a qualified plumber to perform the installation of the plumbing. Observe all applicable codes.

This appliance is suitable for potable water. Do not use this appliance if any part has been underwater. Immediately call a qualified service technician to inspect the appliance and replace any part of the control system and gas control which has been under water.

If the water heater is installed in a closed water supply system, such as one having a backflow preventer in the cold water supply line, means shall be provided to control thermal expansion. Contact ANDREWS WATER HEATERS TECHNICAL DEPARTMENT FOR ADVICE.

Piping and components connected to the water heater shall be suitable for use with potable water.

Toxic chemicals, such as those used for boiler treatment, shall not be introduced into the potable water.

A water heater used to supply potable water may not be connected to any heating system or components previously used with a nonpotable water heating appliance.

When water is required in one part of the system at a higher temperature than in the rest of the system, means such as a mixing valve shall be installed to temper the water to reduce the scalding hazard.

- Flush water through the pipe to clean out metal powder, sand and dirt before connecting it.
- Take appropriate heat insulation measures (e.g., wrapping with heat insulation materials, using electric heaters) according to the climate of the region to prevent the pipe from freezing.
- Use a union coupling or flexible pipe for connecting the pipes to reduce the force applied to the piping.
- Do not use piping with a diameter smaller than the coupling.
- When feed water pressure is too high, insert a depressurizing valve, or take water hammer prevention measures.
- Avoid using joints as much as possible to keep the piping simple.
- Avoid piping in which an air holdup can occur.
- Use approved piping materials.
- If installing the unit on a roof:

If the unit is installed on a roof to supply water to the levels below, make sure that the water pressure supplied to the unit does not drop below 2000 mbar. It may be necessary to install a pump system to ensure that the water pressure is maintained at this level.

Check the pressure before putting the unit into operation.

Failing to supply the proper pressure to the unit may result in noisy operation, shorter lifetime of the unit, and may cause the unit to shut down frequently.

Supply water piping

- Do not use PVC piping.
- Mount a check valve and a shut off valve (near the inlet).
- In order for the client to use the water heater comfortably, 1000 mbar to 5000 mbar of pressure is needed from the water supply.
Be sure to check the water pressure. If the water pressure is low, the water heater cannot perform to its full capability, and may become a source of trouble for the client.

Drain piping

- Expansion water may drop from the pressure prevention device and wet the floor. If necessary, provide drain piping or use a drain hose to remove the water.

Hot water piping

- Do not use lead or PVC piping.
- The longer the piping, the greater the heat loss. Try to make the piping as short as possible.
- Use a mixing valve with a low water resistance. Use shower heads with low pressure loss.
- If necessary, use a pump or other means to ensure that the supply water pressure to the inlet of the heater does not fall below 2000 mbar when the maximum amount of water is being demanded. Also install a pressure meter on the inlet. If this is not done, local boiling will occur inside the water heater causing abnormal sounds and decreasing the durability of the heat exchanger.

10. Electrical Wiring

Consult a qualified electrician for the electrical work.



Do not connect electrical power to the unit until all electrical wiring has been completed.

- i) "A means of disconnection from the supply mains having a contact separation in all poles must be provided to allow for full disconnection".
- ii) Under voltage Cat III conditions should be incorporated in the fixed wiring in accordance with the wiring regulations.
- iii) "If the supply cord is damaged, it must be replaced by the manufacturer or its service agent".

This appliance must be electrically grounded in accordance with Electrical Authority Regulations.

External wiring must be correctly earthed, polarised and in accordance with the relevant standards.

In GB this is BS 6891.

In IE this is the current edition of I.S.813 "Domestic Gas Installations".

The boiler must be connected to a permanent 230 V ac, 50Hz supply.

Connection of the whole electrical system of the boiler, including any heating controls, to the electrical supply must be through one common isolator and must be fused 10 Amp maximum.

Isolation should be by a double pole switched fused spur box, with a minimum gap of 3 mm for both poles. The fused spur box should be readily accessible and preferably adjacent to the appliance. It should be identified as to its use.

Caution: Label all wires prior to disconnection when servicing controls. Wiring errors can cause improper and dangerous operation.

Verify proper operation after servicing.

Field wiring to be performed at time of appliance installation.



Caution

Do not turn on the power until the electrical wiring is finished. This may cause electrical shock or damage to the equipment to occur.

- The electrical supply required by the water heater is 230V AC at 50 Hz. The power consumption may be up to 135W. Use an appropriate circuit.
- Do not disconnect the power supply when not in use. When the power is off, the freeze prevention in the water heater will not activate, resulting in possible freezing damage.

- Do not let the power cord contact the gas piping.

Tie the redundant power cord outside the water heater. Putting the redundant length of cord inside the water heater may cause electrical interference and faulty operation.

Ground

- To prevent an electric shock, always plug power lead into an earth powerpoint.

THE APPLIANCE MUST BE EARTHED

Remote Controller

- Applicable Model

		WHX56, LWHX56
Remote controller	Main	RC-7508M

- * Up to three remote controllers can be connected. Additional remote controllers cannot be connected by themselves.
- The remote controller must be installed in accordance with the installation manual enclosed in the package.
- Cannot be used without a remote controller.

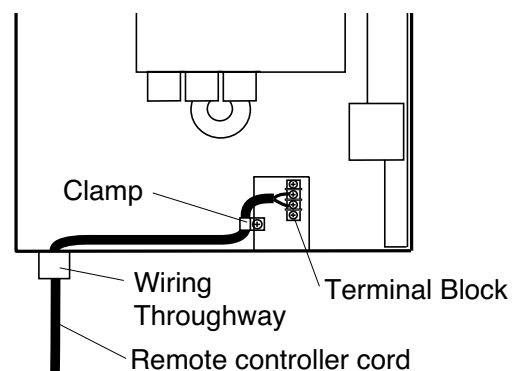
Connecting Remote Controller Cord to Unit

- Keep the remote controller cord away from the freeze prevention heaters in the unit.
- Tie the redundant cord outside the water heater. Do not put the extra length inside the equipment.
- The remote controller cord can be extended up to 100m with Remote controller cord.
- Use a Y type terminal with a resin sleeve. (Without the sleeve, the copper wire may corrode and cause problems).
- Be sure to hand tighten when screwing to the terminal block. Power tools may cause damage to the terminal block.

Remote controller cord

- Use Remote controller cord for any extensions.
- Install according to the National Electrical Code and all applicable local codes.

1. Remove the front cover of the heater (4 screws).
2. Pass the remote controller cord through the wiring throughway and into the unit.
3. Connect the Y terminals at the end of the remote controller cord to the terminal block.
4. Secure the remote controller cord with a clamp.
5. Replace the front cover.



11. Commissioning

The installer should test operate the unit, explain to the customer how to use the unit, and give the owner this manual before leaving the installation

NOTE: The appliance has been factory set and no adjustment is necessary.

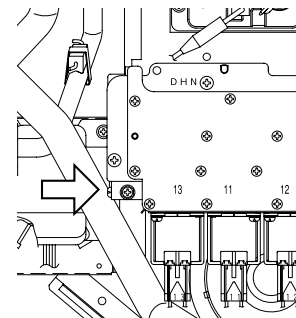
- Preparation ... (1) Ensure all lines are purged / flushed of debris prior to connection to appliance.
- (2) Open the shut off valve on the water supply, check that water passes through the valve and close the valve.
- (3) Open the gas supply valve, turn on the power supply, and turn on the Operation switch on the remote controller (the Operation lamp turns on) .

- (1) Open a hot water fixture and confirm that the "Burner On" lamp comes on, and that hot water is being produced. (If necessary, repeat until the air in the gas piping is bled out).
 - * White smoke may be noticed from the exhaust vent during cold weather. However, this is not a malfunction of the unit.
 - * If an "11" error code appears on the remote controller, turn the unit off and then back on again, and then open a hot water fixture again.
- (2) Change the temperature setting on the remote controller and check that the water temperature changes.
- (3) Check the secondary gas pressure.

The regulator on products is electronically controlled and pre-set in factory. It does not require adjustment on installation under normal condition.

Perform the following procedure only if the unit is operating incorrectly and all other possible causes have been eliminated.

- 1) Turn off the gas supply.
- 2) Turn off power supply.
- 3) Remove the front panel from the appliance.
- 4) Attached pressure gauge to gas pressure checking point. (Fig.1)
- 5) Turn on the gas supply
- 6) Turn on power supply
- 7) If remote controllers are fitted, turn the unit "ON" at the remote controller; open a hot water tap fully.
Caution: Do not touch hot water outlet during this procedure.
- 8) Check the gas pressure at gas pressure checking point.
Refer to "Specification" on page 2.

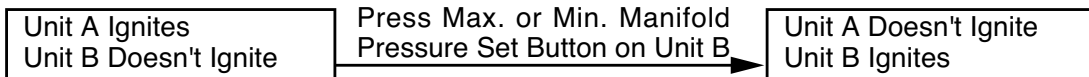


(Fig.1)

- If the water heater does not operate normally, refer to "Troubleshooting" in the Operation Manual.
- * After the trial operation, clean the filter in the cold water inlet.

<If installed with a quick connect multi-system>

- Turn the system power on with the remote controller.
- Slowly open a hot water fixture and check that the units ignite sequentially. Check to see that the hot water temperature is the same as the temperature displayed on the remote controller. (*1)
- * If inlet water temperature is high, and both units do not ignite at the same time, switch which unit will ignite first by pressing the Max. or Min. Manifold Pressure Set Button on the circuit board and then confirm each unit can ignite. (*2)



- * If an 11 or F11 error code flashes on the remote controller, hit the Power Button on the remote controller off and on 2-3 times.
- * If (*1) and (*2) cannot be done, the Quick Connect Cord may not be properly connected. Check that the cord is properly connected.

⚠ Caution

Handling after trial operation

- In Freezing areas: If the unit will not be used immediately, close off all gas and water shutoff valves, drain all of the water out of the unit and the plumbing system to prevent the unit and system from freezing, and bleed the gas out of the gas line. Freezing is not covered by the warranty.

Lighting Instructions

This water heater does not have a pilot. It is equipped with an ignition device that automatically lights the burner.

1. Read the safety information in the installation manual or on the front of the water heater.
2. Turn off all electrical power to the unit.
3. Do not attempt to light the burner by hand.
4. Turn the gas control manual valve (external to the unit) clockwise to the off position.
5. Wait five minutes to clear out any gas. If the smell of gas remains, stop, and follow the instructions on page 4 of this manual.
6. Turn the gas control manual valve counterclockwise to the on position.
7. Turn on electric power to the unit.
8. The unit will now operate whenever hot water is called for. If the unit will not operate, follow the shutdown instructions and call a service technician.

Shutdown Instructions

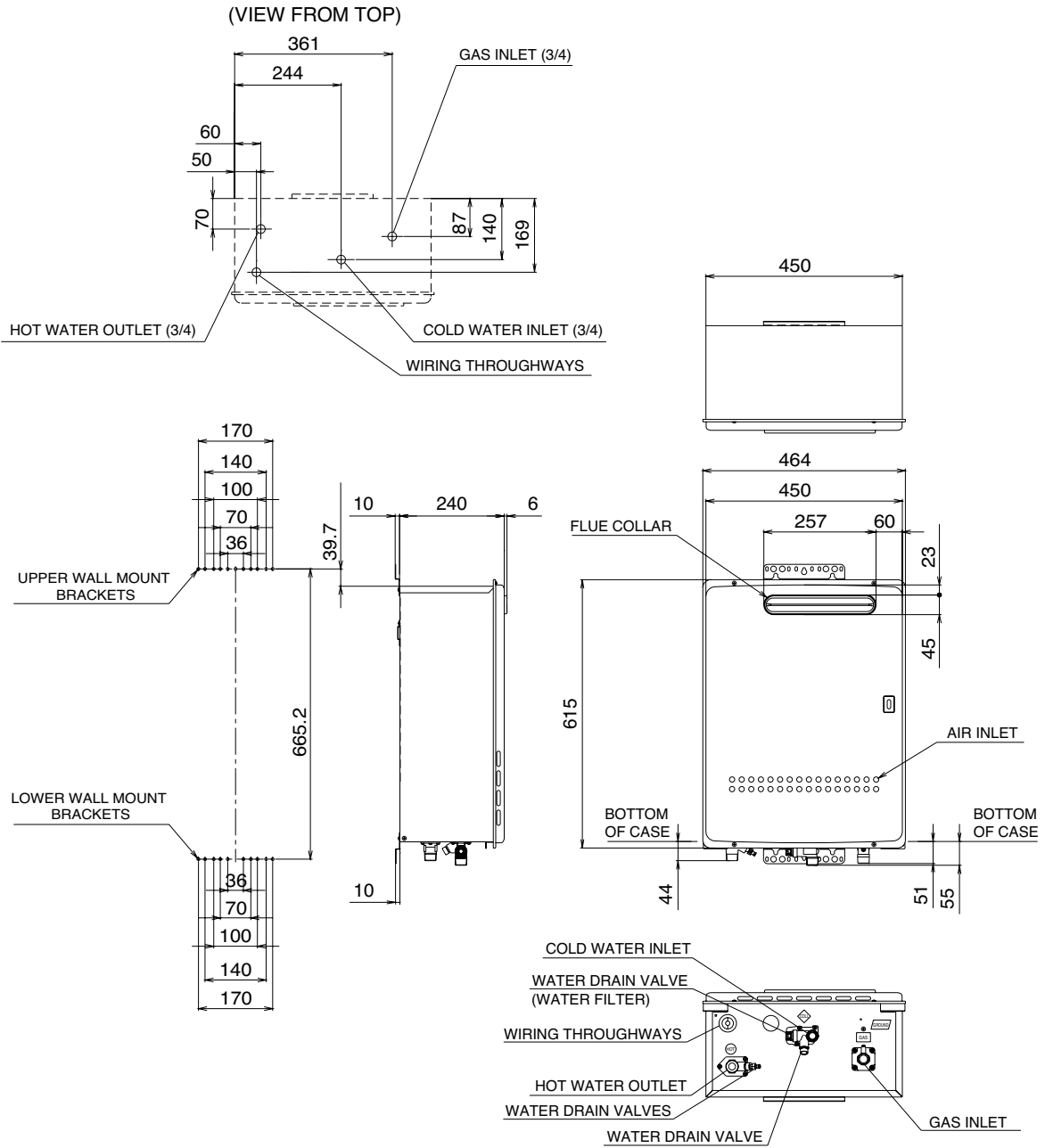
1. Stop any water demand.
2. Turn off electric power.
3. Turn the gas control manual valve clockwise to the off position.

Should overheating occur, or the gas supply fail to shut off, turn off the gas control manual valve to the appliance.

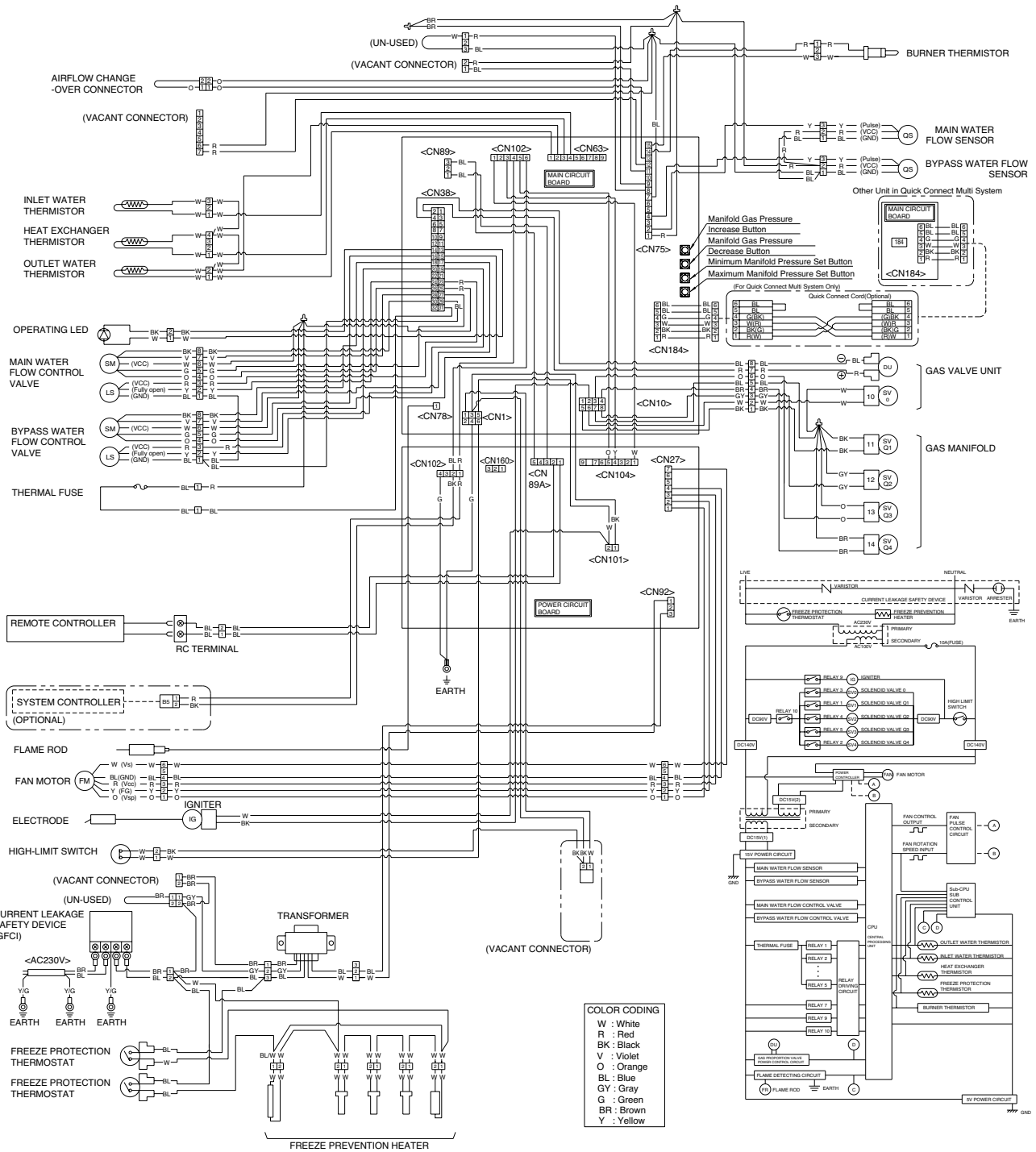
12. Dimensions

WHX56, LWHX56

(unit: mm)



Wiring Diagram (WHX56, LWHX56)



13. Remote Controller Installation Manual




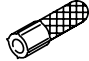
For Installers:
Read this installation guide carefully before carrying out installation.

Model Number: RC-7508M

Note

Do not connect power to the water heater before the remote controller has been properly installed.

Accessories

Part	Shape	Q ty	Part	Shape	Q ty
Remote Controller*		1	Cross recessed flat-head screw		2
Cross recessed flat-head wood screw		2	Wall anchor		2

*Must be purchased, one per application

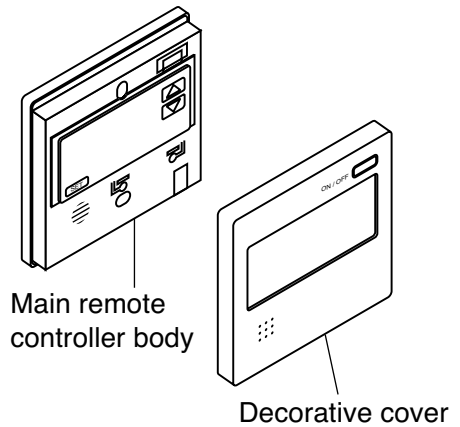
Remote Controller Installation Procedure

(1) Remove the decorative cover.

(The decorative cover is attached very simply.)

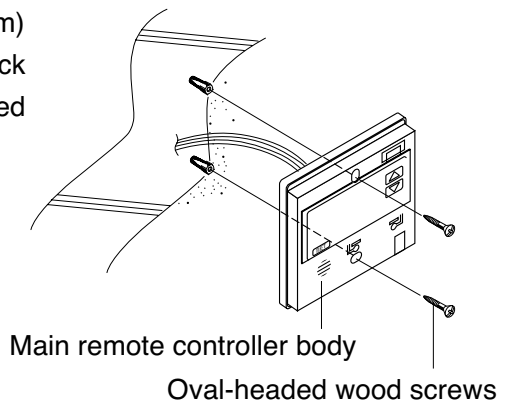
Connect the Y-shaped terminal to the terminal block at the back of the remote controller.

* In the case of exposed wiring (attachment to the wall), first open up the cord intake on the main remote controller body using pliers. (Take care not to damage the board in the process.)



(2) Position the holes (diameter: 6 mm X depth: 25 - 30 mm) to secure the remote controller for the kitchen, and knock in all the wall anchors. Next, secure it using oval-headed wood screws.

* The screws must be tightened manually, and the remote controller secured properly without rattling.



(3) Replace the decorative cover.

14. Servicing

Important Notes

To ensure the continued efficient and safe operation of the boiler it is recommended that it is checked and serviced at regular intervals. The frequency of servicing will depend upon the particular installation and usage, but in general once a year should be enough.

It is the Law that any servicing is carried out by a competent person.

When replacing a part on this appliance, use only spare parts that you can be assured conform to the safety and performance specification that we require. Do not use reconditioned or copy parts that have not been clearly authorised by Andrews Water Heaters.

Before commencing with a service or replacement of parts the boiler should be isolated from the electrical supply and water supply and the gas supply should be turned off at the gas service cock.

All routine servicing requirements can be achieved by the removal of the front panel only. Remove the four screws on the front panel and lift off.

For access inside the appliances screwdriver can be used.

To remove chassis front.

Unless stated otherwise any part removed during servicing should be replaced in the reverse order to removal.

Servicing should always include the removal of any debris from the condensate pipe and siphon.

After completing any servicing of gas carrying components, ALWAYS test for gas soundness and carry out a functional test of the controls.

It is not necessary for the burner parts and heat exchanger parts to be cleaned up.

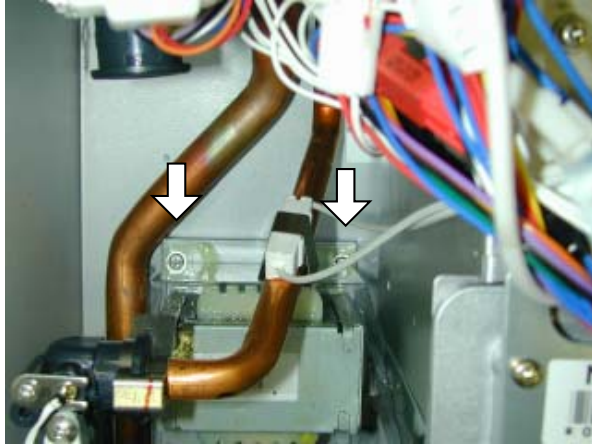
15. Disassembly of each part

1. Removing the transformer

- (1) Remove the 2 quick fasteners and remove the bypass pipe.

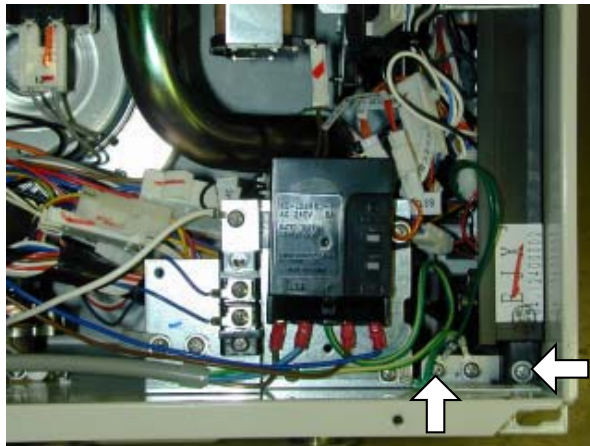
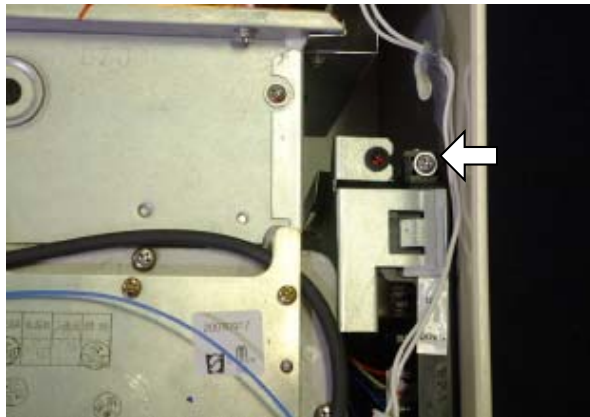


- (2) Remove the 2 locking screws of the transformer, then pull out.



2. Removing the electric board

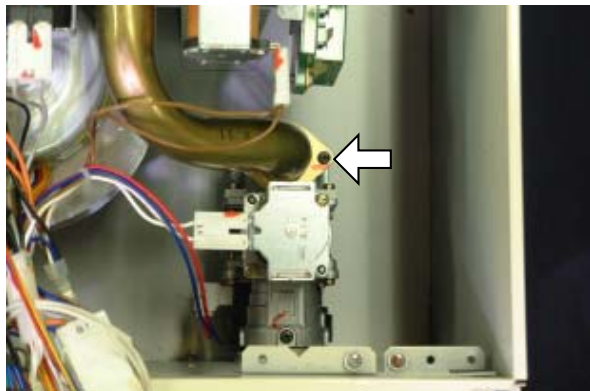
- (1) Remove the locking screws at the top and bottom and ground screw, then pull board out.



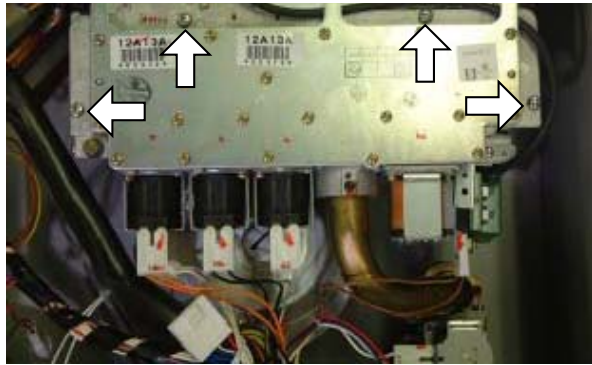
3. Removing the manifold

- Remove the electric board and fixing plate of the ground-fault circuit interrupter in advance.

- (1) Remove the locking screw of the gas electromagnetic valve and the manifold pipe.



4 manifold locking screws.

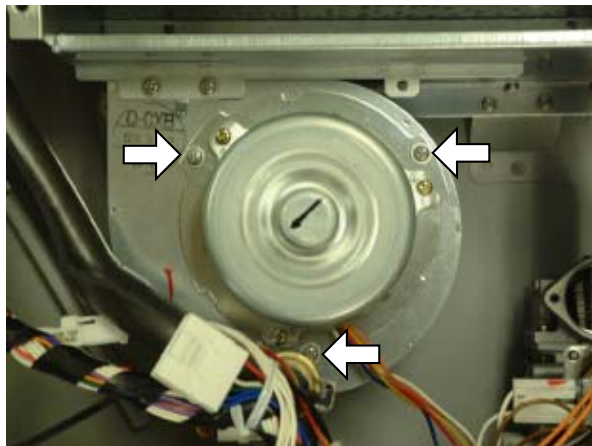


(3) Pull up and remove the manifold.

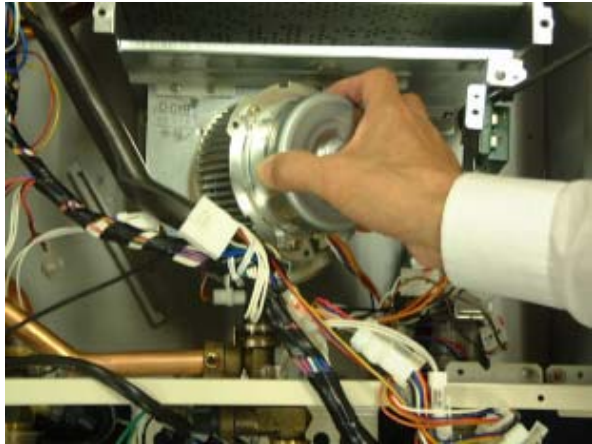


4. Removing the hot-water supply fan
• Remove the electric board, manifold and intake gas pipe in advance.

(1) Remove the 3 fan locking screws, then pull out.



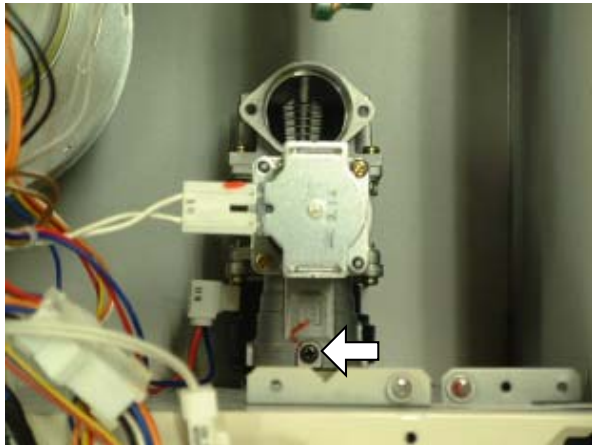
(2) Pull out the fan motor.



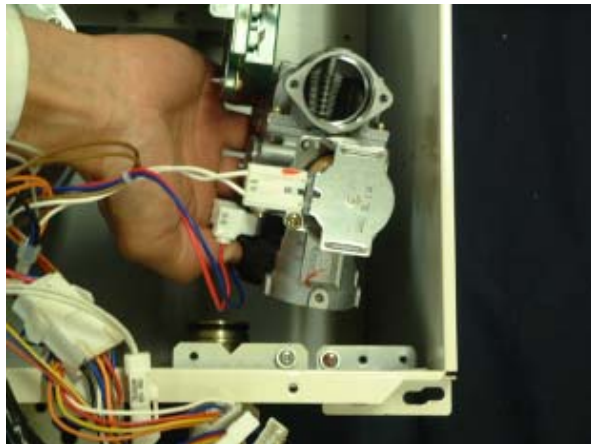
5. Removing the gas electromagnetic valve block

- Remove the electric board and manifold in advance.

(1) Remove the gas electromagnetic valve locking screw.



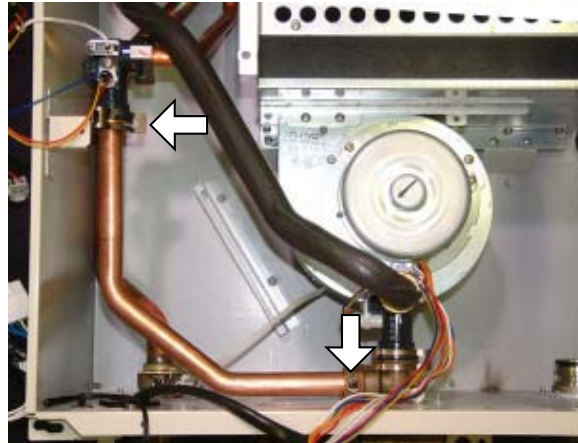
(2) Pull up the gas electromagnetic valve to the upper section and remove it.



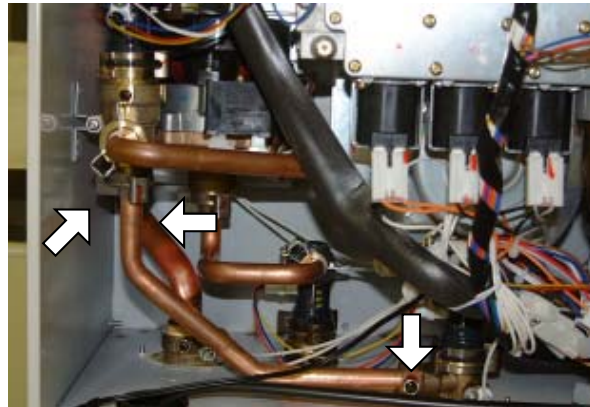
6. Removing the mixing tube block

- Remove the electric board and connectors in advance.

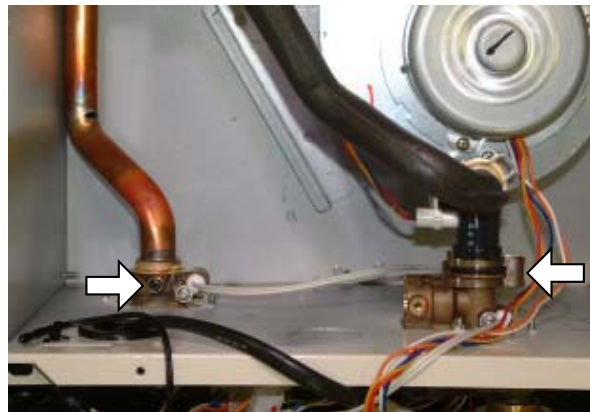
- (1) Remove the locking screw of the intake water pipe and the locking quick fastener of water flow sensor set 3 of the heat exchanger, then pull out the intake water pipe.



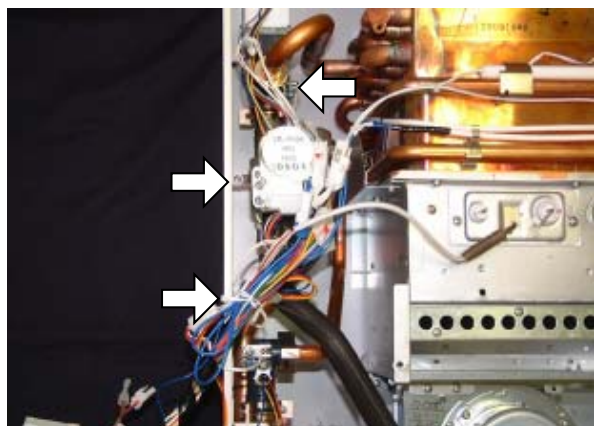
- For Quick-discharge type
Remove the intake water pipe locking screw and 2 locking fasteners of the non-return valve, then remove the intake water pipe and pull out the pump discharge pipe.



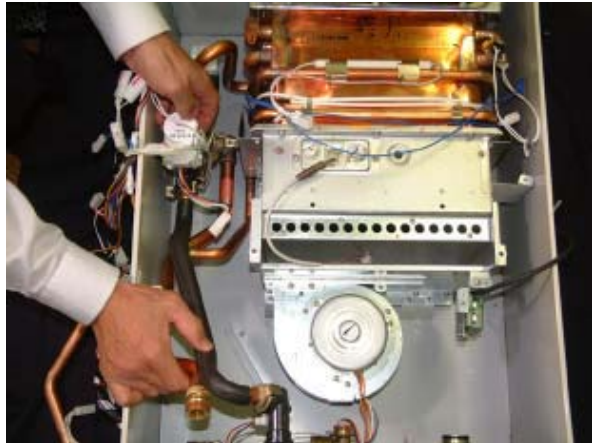
- (2) Remove the quick fastener of the water flow sensor set 1 and the discharge hot-water pipe locking screw.



- (3) Remove the connecting quick fasteners of the water flow sensor set 3 adjustment valve and the water flow servo set 2, and the mixing body block locking screw.



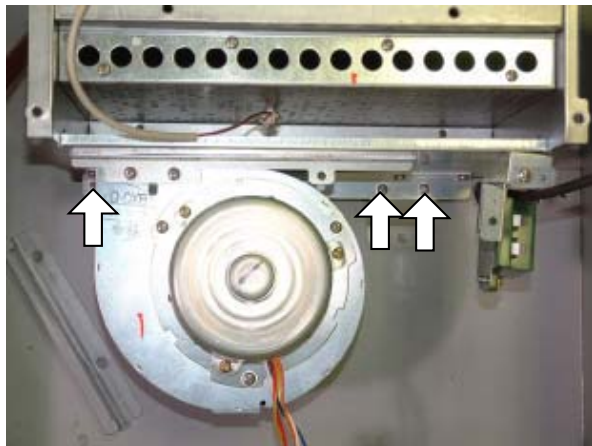
- (4) Pull up the mixing tube block to the upper section and remove it.



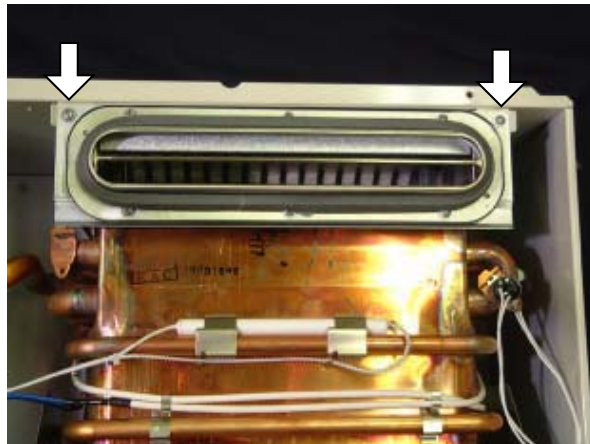
7. Removing the heat exchanger

- Remove the electric board, manifold, mixing tube block and connectors in advance.

- (1) Remove the 3 locking screws at the bottom of the burner case.

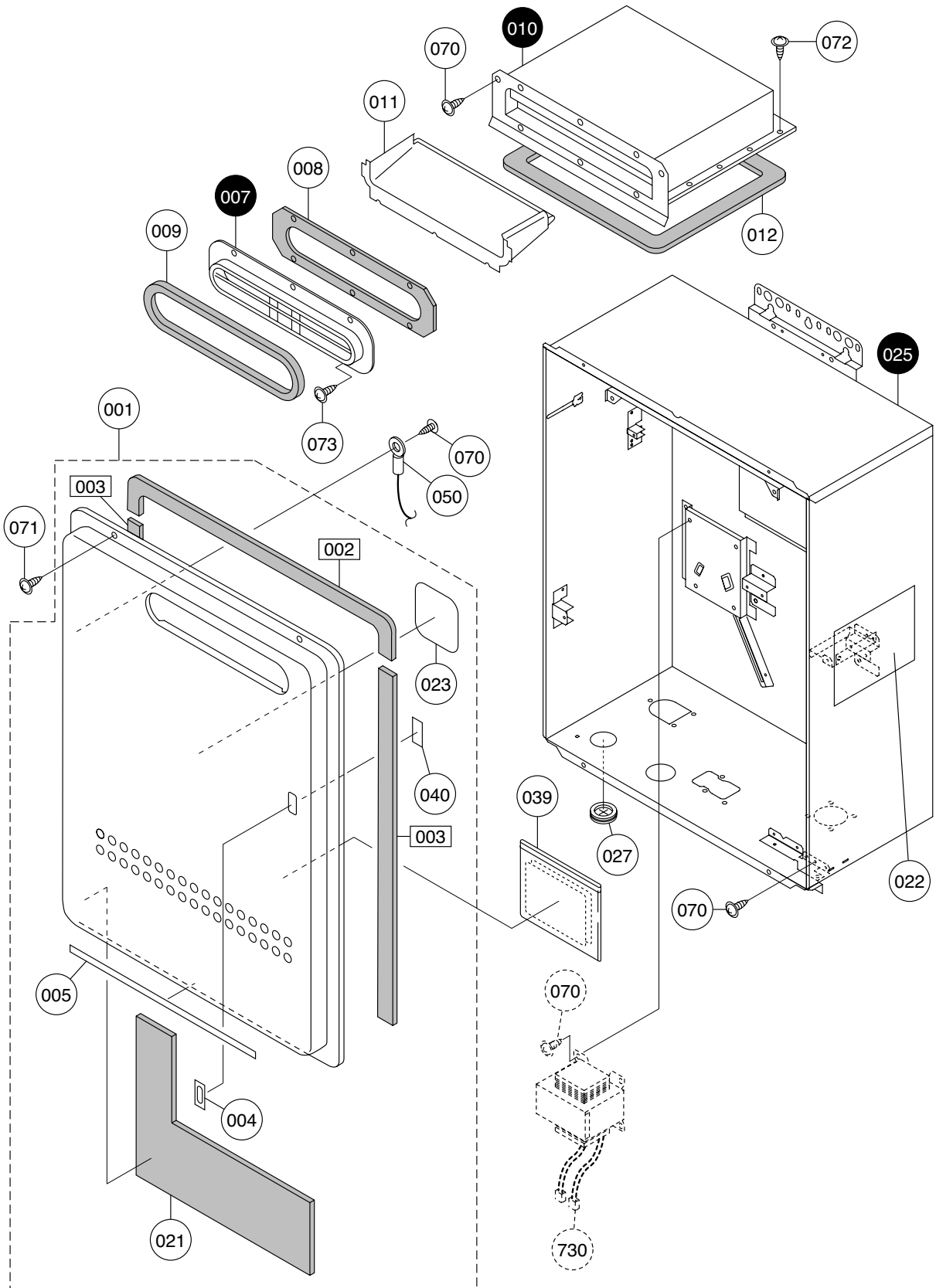


- (2) Remove the 2 case top plate locking screws.

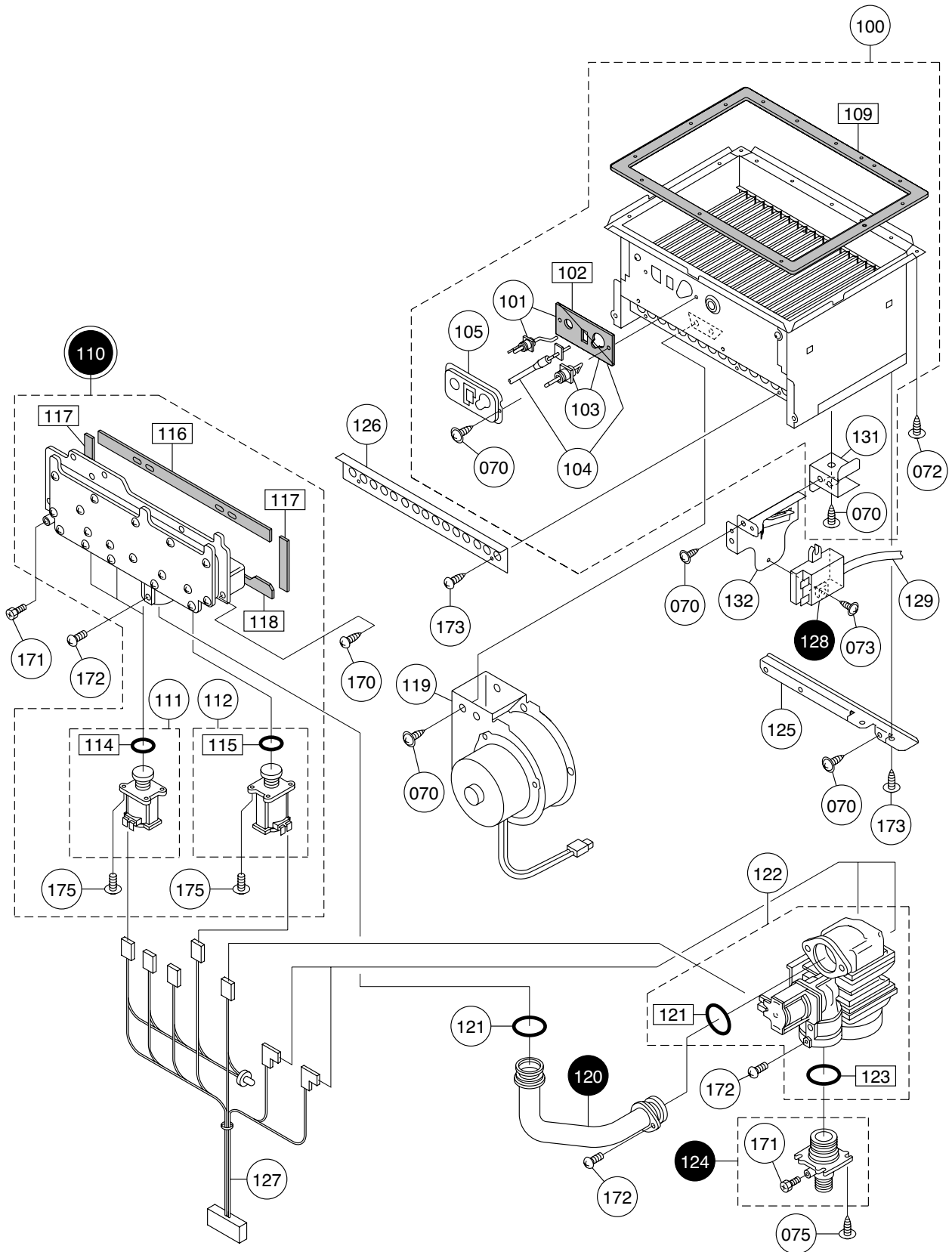


16. Servicing parts lists

External outfitting LWHX56AD



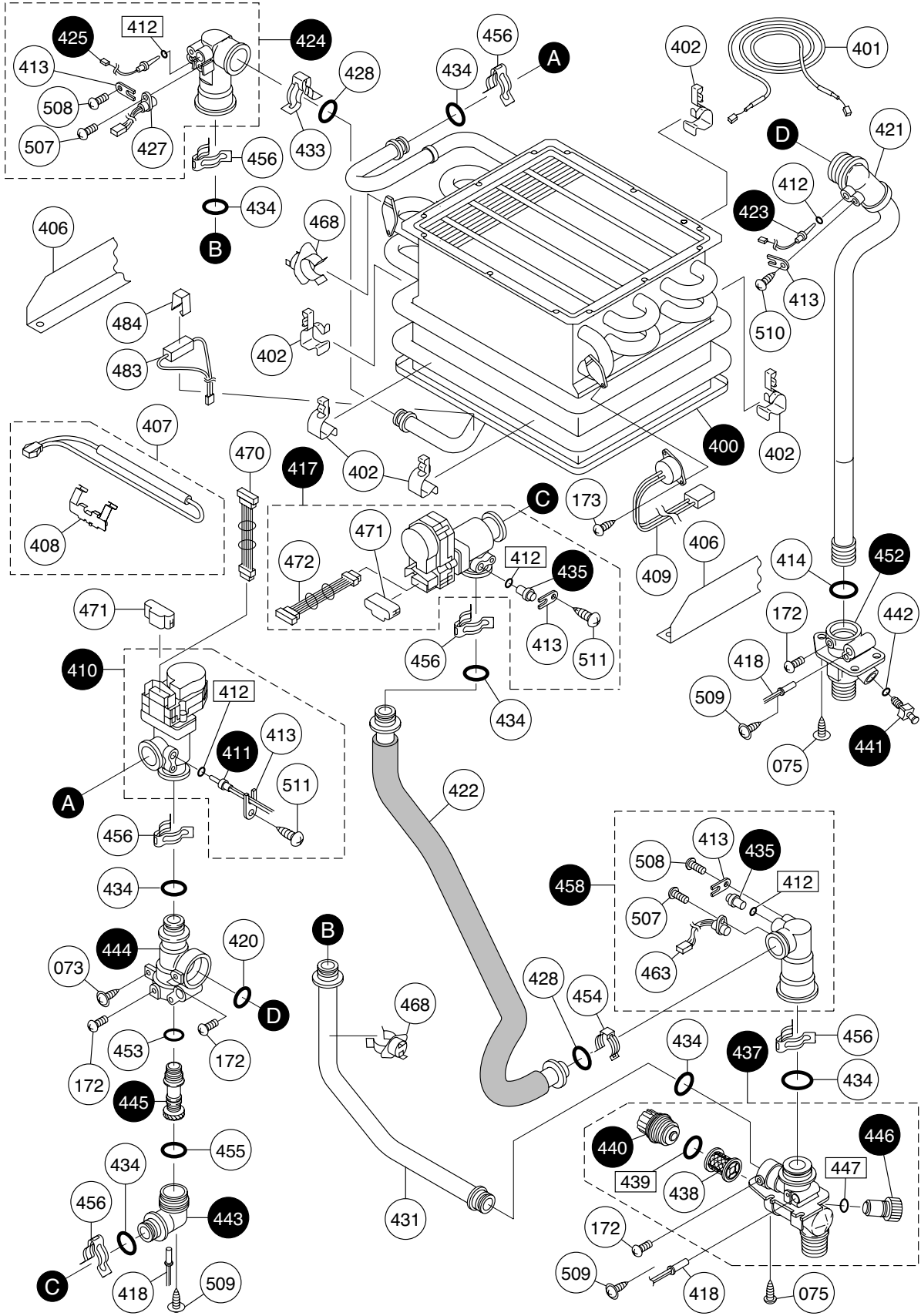
Combustion unit and gas route WHX56AD



Combustion unit and gas route WHX56AD

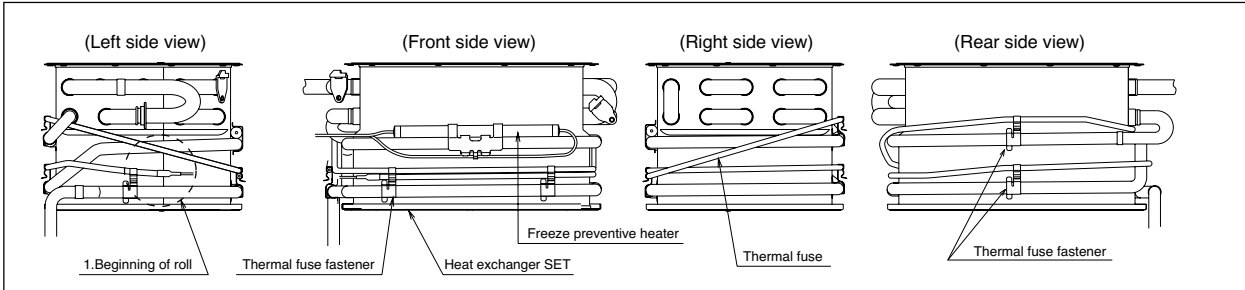
Part Nos.	Part Names	Order Nos.	Q'ty/unit
100	Combustion tube set EAC SET-V	SBP7302	1
101	Flame rod DLK SET-V	SBA7506	1
102	Plug packing(for N) DLK	DLKL012	1
103	Ignition plug Q(N)SET-V	SBA7504	1
104	Burner sensor DLK SET-V	SBA7505	1
105	Plug fixing plate(for N) DLK	DLKC009	1
109	Suction air joint packing DHN	DHNL002	1
110	Manifold set 15 DHN SET-AS	SAR7812	1< >
	Manifold set 24 DHN SET-AS	SAR7574	1< >
111	Solenoid S16L CRU SET-AS	SAQ7346	3
112	Solenoid S24L CRU SET-AS	SAQ7406	1
114	O-ring S30 type 1A	SAD6433	3
115	O-ring S-38	SAD6372	1
116	Manifold seal packing top CRP	CRPL002	1
117	Manifold seal packing side CRP	CRPL004	2
118	Manifold seal packing bottom CRP	CRPL003	1
119	Fan moter Q CXB	CXBF030	1
120	Manifold pipe DHN	DHNE015	1
121	O-ring P25.5	SAB1512	2
122	Gas mech. S24DQ CRP SET-V	SAQ7708	1
123	O-ring JASO 2028A	8590109	1
124	Gas fitting 20ASET ELE	ELEE001	1
125	Mounting plate for burner case DLT	DLTC001	1
126	Main damper 11 CRP	CRPC052	1
127	Conduit R10 DEK	DEKJ014	1
128	Igniter AGV	AGVJ007	1
129	High-voltage cord 470	SAC1229	1
131	Mounting plate for igniter EAC	EACC011	1
132	Mounting plate for igniter DTJ	DTJA015	1
170	Cross recessed round-head type3 EVERTIGHT tapping screw 5X16	SAB6001	
171	Cross recessed hexagon head machine screw	SAC6082	
172	Cross recessed round-head machine screw M4X8	SAD6373	
173	Cross recessed round-head N-tapping screw 4X8	6347606	
175	Cross recessed round-head SPAKmachine screw with guide M4X12	SAD6466	

Hot-water feed route WHX56AD



Hot-water feed route WHX56AD

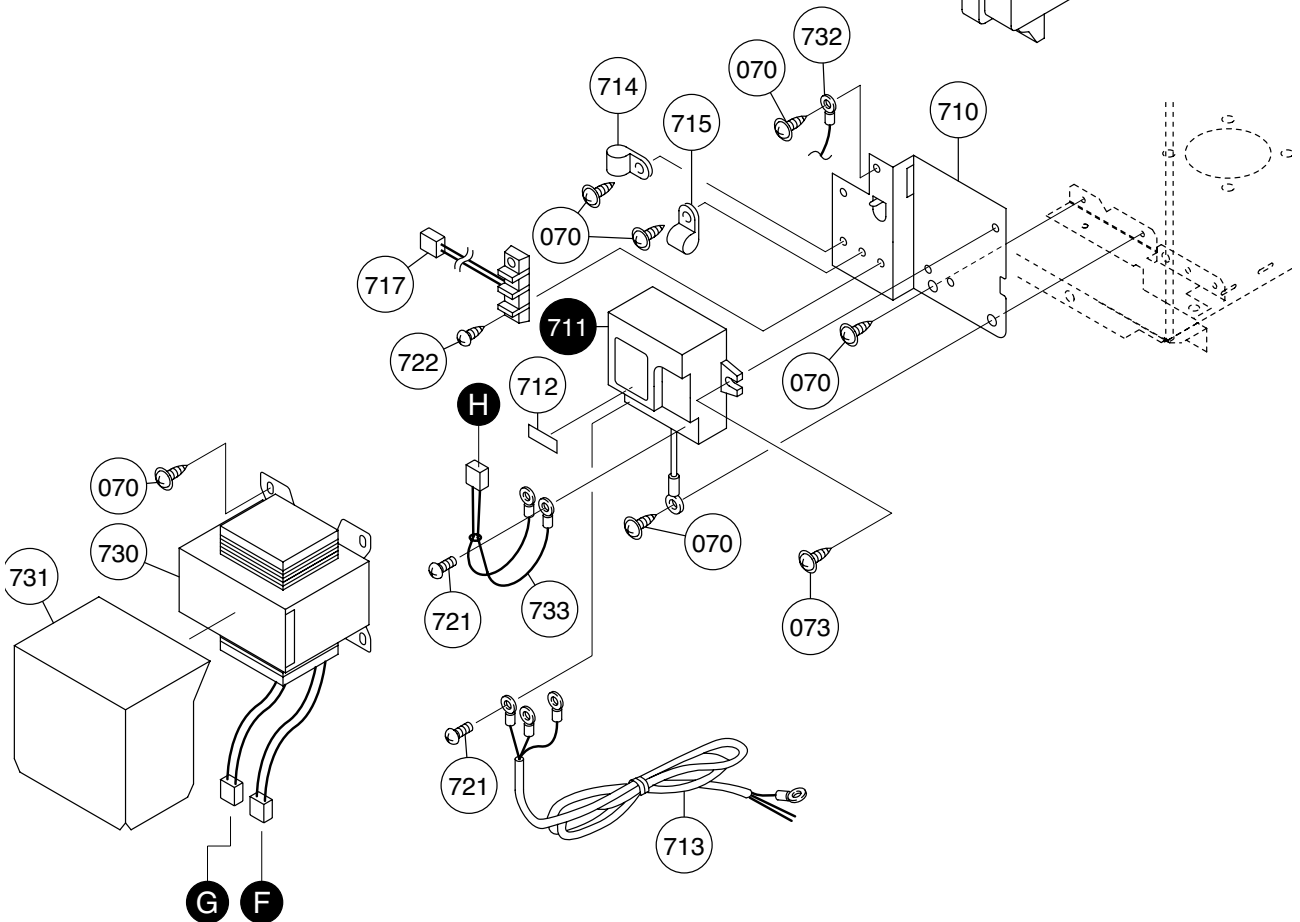
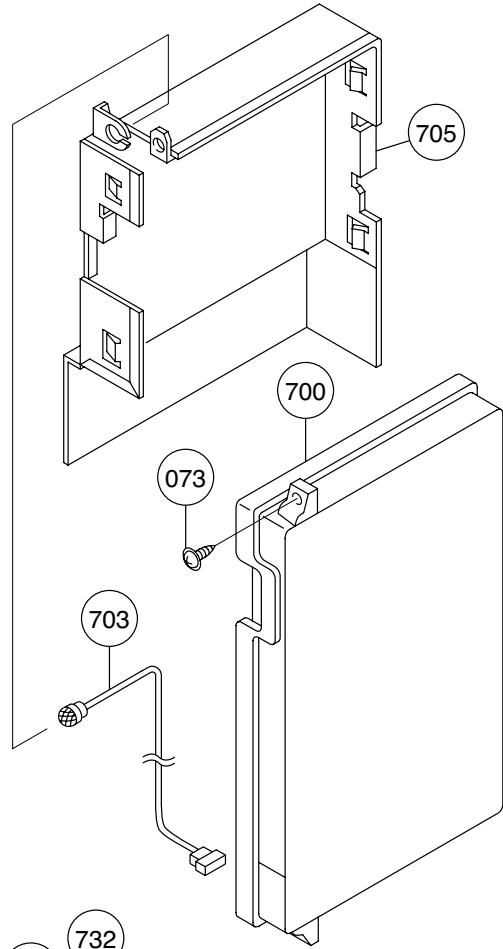
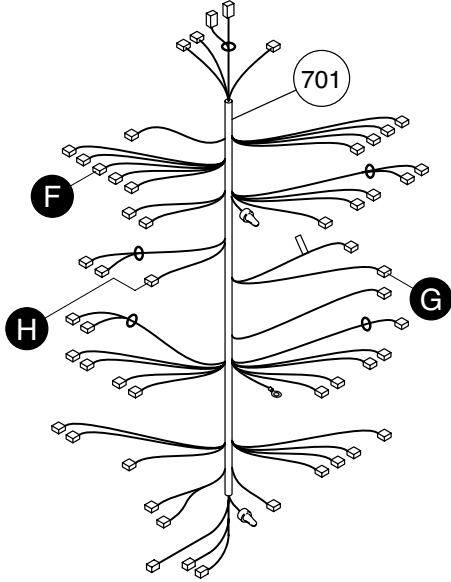
(Thermal fuse rounding procedure)



Hot-water feed route WHX56AD LWHX56

Part Nos.	Part Names	Order Nos.	Q'ty/unit
400	Heat exchanger EJM SET-AS	SKA7139	1
401	Thermal fuse DHN SET-V	SBA7398	1
402	Thermal fuse fastener CXD	CXDH003	5
406	Thermal fuse cover DHN	DHNA014	2
407	Freeze preventive heater Q DJW SET-V	SKA7037	1
408	Heater fastener EHK	EHKH001	1
409	Remaining flame safety device 120 DJP	DJPH002	1
410	Water flow servo set 2 DZT	DZTD011	1
411	Heat exchanger thermistor-300 BWC	BWCD098	1
412	O-ring P4C	1323709	5
413	Thermistor holding plate ALS	ALSD088	5
414	O-ring P20C	3059502	1
417	Water flow servo set 1 DZT	DZTD010	1
418	Freeze preventive heater 3 DJW	DJWH003	3
420	O-ring P22C	7573308	1
421	Hot-water feed pipe DHN	DHND010	1
422	Bypass pipe EAC	EACD003	1
423	Hot-water thermistor-300 BWC	BWCD096	1
424	Water flow sensor set 3 DUV	DUVD019	1
425	Water inlet thermistor-300 BWC	BWCD097	1
427	Water outlet magnetic sensor BWC	BWCD090	1
428	O-ring P12.5C	3359808	2
431	Water inlet pipe EAC	EACD001	1
433	Quick fastener 13-22	SAD6537	1
434	O-ring P16C	3223302	7
435	Shut-off cock AXG	AXGD089	2
437	Water inlet fitting 20A set EAC	EACD006	1
438	Water filter (SUS) EGB	EGBD032	1
439	O-ring 16DF BRQ	BRQL008	1
440	Water filter cover DTJ	DTJD006	1
441	Drain cock CRU	CRUD003	1
442	Hot-water resistant O-ring P3	SAD6633	1
443	Mixing coupling EAC	EACD007	1
444	Mixing body EAC	EACD013	1
445	Mixing cylinder BWC	BWCD035	1
446	QMF safety valve A(S)	SAA2811	1
447	Hot-water resistant O-ring P9	SAD6635	1
452	Hot-water outlet fitting HGH	HGHD101	1
453	O-ring P11C	1326503	1
454	Quick fastener 12.7	6340202	1
455	O-ring JASO 2026 type4 C	SAA6483	1
456	Quick fastener 16A	6340300	6
458	Water flow sensor set 1 DUV	DUVD017	1
463	Magnetic sensor BWC	BWCD093	1
468	Thermostat BVU	BVUH002	2
470	Conduit 86 DZT	DZTJ008	1
471	Waterproof cover CZL	CZLD041	2
472	Servo motor cable conduit (86) DZT	DZTJ009	1
483	Dummy heater for 240V DJW	DJWH004	1
484	Heater fastener M AJB	AJBL002	1
507	Cross recessed truss P TIGHT screw 4X10	SAB6339	
508	Cross recessed round-head P TIGHT screw 4X14	SAA6473	
509	Cross & straight recessed round-head collar type3 S TIGHT tapping screw 4X8	SAD6455	
510	Cross & straight recessed type3 S TIGHT tapping screw 4X8	6381600	
511	Cross recessed round-head P TIGHT screw 4X14	SAC6300	

Electronic control unit WHX56AD

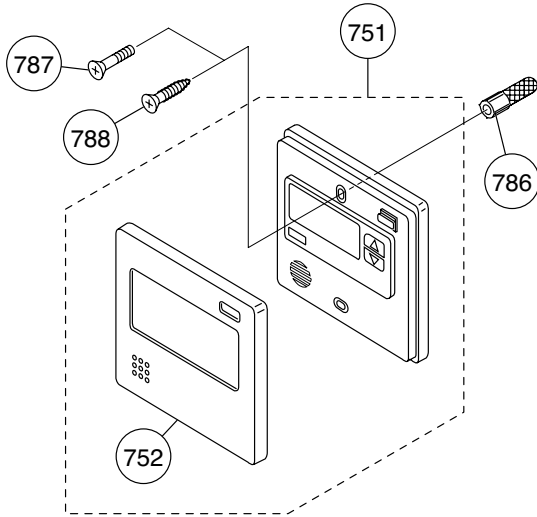


Remote controller and Attached set WHX56AD

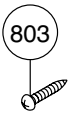
Optional Accessories

Remote controller

(RC-7508M)



Attached set



<Special part>

Special part	Special part no.
Owner's Guide	888
installation manual	889

Specifications

Item		Specification	
Model Name		WHX56	LWHX56
Type	Installation Air Supply/Exhaust	External, Wall Hanging Power Vented	
Ignition		Direct Ignition	
Minimum Pressure for Maximum flow		2.0 bar	
Minimum Flow Rate		2.5 L/min.	
Dimensions		61.5 cm(Height) x 46.4 cm(Width) x 24 cm(Depth)	
Weight		30 kg	
Water Holding Capacity		1.1 Litre	
Connection Sizes	Water Inlet	3/4"	
	Hot Water Outlet	3/4"	
	Gas Inlet	3/4"	
Power Supply	Supply	230V AC (50Hz)	
	Consumption	83W	
Materials	Casing	Zincified Steel Plate/Polyester Coating	
	Flue Collar	Stainless Steel	
	Heat Exchanger	Copper Sheetting, Copper Tubing	
Safety Devices		Flame Rod, Thermal Fuse, Pressure Relief Valve, Lightning Protection Device (ZNR), Electric Leakage Prevention Device, Overheat Prevention Device, Freezing Prevention Device, Fan Rotation Detector	
Accessories		Remote Controller, Anchoring Screws	

Performance

Item		Maximum Performance	Minimum Performance
Gas Consumption (NET)	1 _{2H}	62.3 kW	5.0 kW
	1 _{3P}	62.3 kW	5.0 kW
Hot Water Capacity	25°C Rise	32 L/min.	
	58°C Rise	13 L/min.	
Capacity Range		2.5 - 32 L/min.	
Temperature Settings		37 - 48, 50, 55, 60, 65, 70, 75, 80°C	

PART OF BDR THERMEA

Baxi Commercial Division
Wood Lane, Erdington,
Birmingham B24 9QP
Email: andrews@baxigroup.com
www.andrewswaterheaters.co.uk

Sales:
0845 070 1056
Technical:
0845 070 1057

