



With the future in mind

Prestige 18 and 32 Solo and Excellence



Wall mounted gas boilers
in stainless steel for a
long service life, with high
efficiency, quiet operation and
large energy modulation.

Certified performance ****
NOx class 5 rating



excellence in hot water

Prestige 18 and 32 Solo and Excellence

Hot water and heating comfort is more than a luxury: we count on it every day and expect our heating systems to perform, silently, efficiently and with the minimum of fuss. The Prestige boilers reflect ACV's values: built from no-compromise materials and components, incorporating proven technology from years of experience in the field, they are made with the future in mind.



Stainless steel for a long service life

- The core of the Prestige® boiler is the ACV heat exchanger, made of a special grade of stainless steel that is resistant to corrosion ensuring a long operating life
- The Excellence model incorporates ACV's resistant to corrosion, ensuring a long operating renowned stainless steel tank-in-tank hot water cylinder

High efficiency

- The advanced design of the heat exchanger, unique to ACV, delivers exceptional energy efficiency that remains stable throughout its entire operating life.

Quiet operation and large energy modulation

- Prestige boilers have a working range of 1 to 6 and are highly energy efficient across their complete range of operation, even while proposing a power consumption as low as 3kW
- Advanced burner technology for quiet operation and low emissions

Reduced maintenance and easy servicing

- This unique self-cleaning® design funnels hot gas flow down through inner heat tubes, continuously cleaning any combustion residues
- New internal design with simplified access to components and controls

Complete and extensive control options

- Internal programmability for multi-circuit heating and hot water systems, adaptable to a wide range of external controls
- Interface options for Web based control
- Special additional control features for the installer permit advanced set-up options

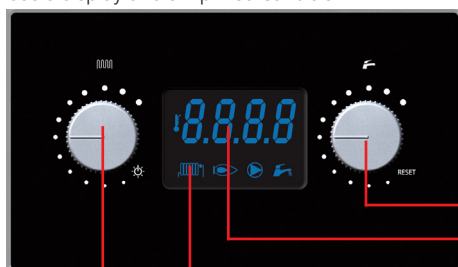
Simplified installation and wide range of accessories

- Improved installation and mounting options
- Wall-mounted hydraulic kit available for simple and precise installation

INTERNET READY



Users display and simplified controls



- Hot water temperature
- Display glows blue: all is OK
- Activity icons
- Heating set point



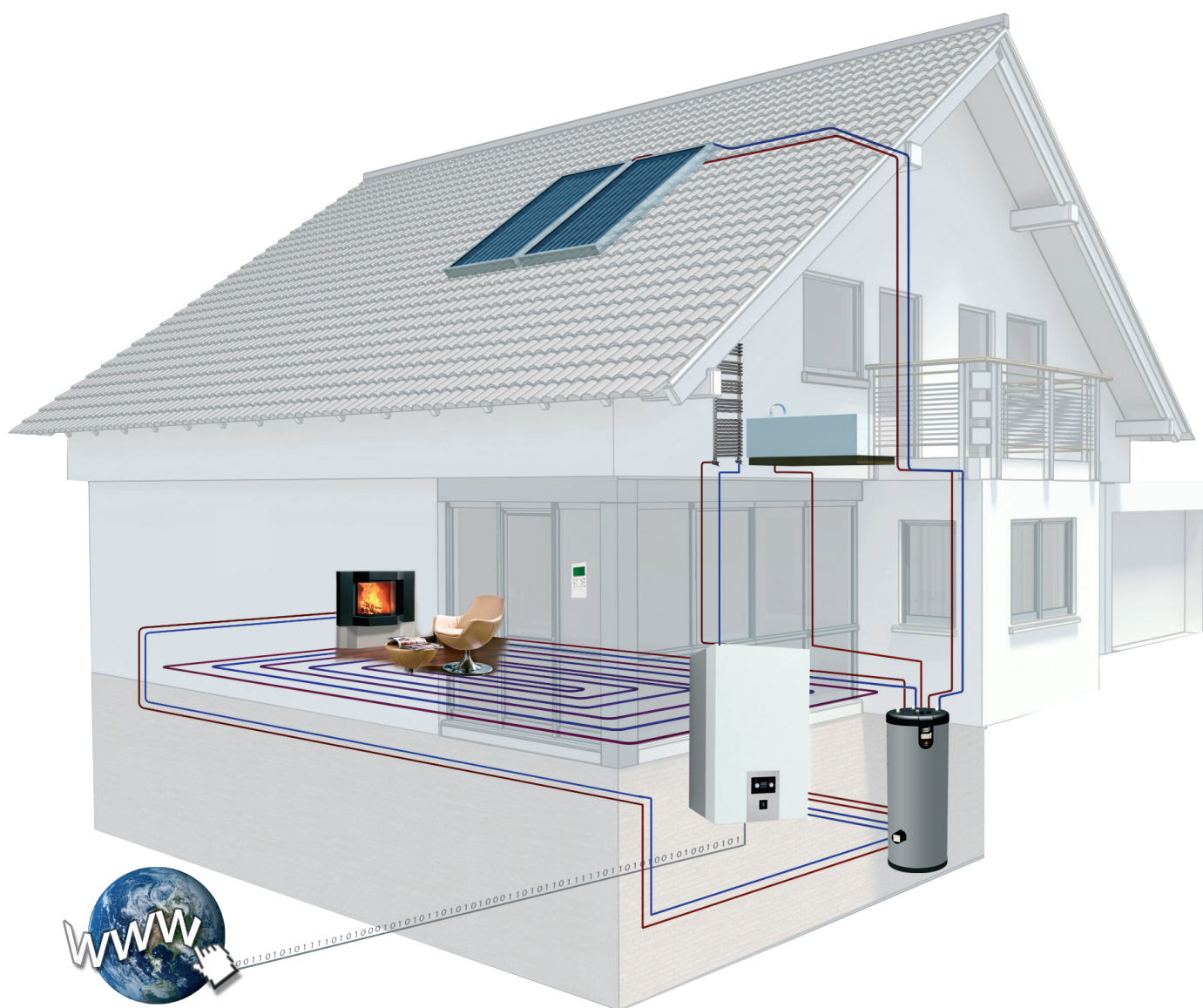
Prestige 18 and 32 Solo and Excellence

Gas fired boilers will remain the cornerstone of most hot water and heating systems for years to come. Our expertise is to ensure that the energy from gas is used as responsibly as possible. We do so by designing some of the highest efficiency boilers available in the market place, and conceiving systems around them which deliver as much of the energy as possible in the form of usable heat.

You may be considering an investment in renewable energy solutions either now or in the future. The Prestige

boilers form an ideal backup to such systems, delivering the right level of power to cover your needs out of season or at peak moments of demand. The Prestige will deliver many years of reliable service.

To ensure that the performance of your hot water and heating system matches the way you live, we have carefully matched a number of control options that allow you to configure and adapt the operation of your system, and to do so remotely via the Internet if required.



Prestige boilers are conceived as efficient partners to solar and other renewable energy heating systems.

Stainless steel heat exchanger and advanced high modulation burner

At the core of the Prestige® is our proven stainless steel heat exchanger, developed and improved after intensive research and field experience. ACV is able to apply know-how from the use of stainless steel for heating and hot-water production applications gained from over 85 years of manufacturing experience.



ACV BG 2000-M modulating (ratio 1:6) gas DuoNit burner, compatible with both natural gas and propane:

Pre-mix air/gas burner, safe and silent in operation, which restricts NOx emissions to below 40 mg / kWh

Combustion gases flow vertically into the heat exchanger flue tubes and condense in the lower section, drawing off all of the energy created by combustion and giving the Prestige its exceptionally high level of efficiency.

Unrivalled corrosion-resistance

Stainless steel offers unparalleled resistance to corrosion and the additives used in heating systems. The grade of steel used is highly resistant to the acidity of the condensates, even when traces of sulphur are present in the natural gas or propane used.

High efficiency

Advanced design of the Prestige® gas flue tubes ensures optimum heat exchange and therefore energy conversion
The Prestige® achieves exceptional efficiency that remains stable throughout its service life.

Reduced maintenance

The Prestige® heat exchanger is self-cleaning: the condensates flow along the flue tubes and continuously clean any combustion residues.
The boiler continues to operate at high efficiency and maintenance is limited to routine annual service calls.

Optimum water volume for more stable operation

A proportionally larger volume of water surrounds the flue tubes in the Prestige® stainless steel heat exchanger compared to rival designs. This larger volume of water stabilises the boiler temperature and minimises any risk of overheating.



Prestige Solo

Ten years of field experience and two years of intensive lab-based research have carefully incorporated design improvements, while retaining all that was best in the successful earlier Prestige models.

Total care in the design of a new internal layout was aimed at improved access for servicing, and flexibility in placement. Advanced control options and an uncompromising selection of components are consistent with the heritage of a product range considered a reference for quality and reliability.

The new Prestige Solo considers that tradition, and distinguishes itself by being simply better.

Full range of flue gas connections: a solution is available for every type of installation, whether new-build or renovation.

Measuring point

Integrated pressure sensor with safety warnings

New hydro-block with stepper motor for improved automatic start-up procedure. Speed controlled stepper valve, permits parallel, priority and combined functioning.

Boiler conceived for simplified maintenance: with the possibility to access from the side, or even the fitted for front-only access.

Integrated hot water tank connections as standard on all models



Secure and versatile wall mounting

Optional pre-mounted wall bracket: hydraulic connections pre-equipped for external tank

Automatic detection of external tank

Advanced programmable control box, demounts simply for improved access

User's LCD display, ergonomically designed for easy adjustment of main parameters

Internet ready, with optional controls and gateway

Tanks that reliably deliver hot water excellence

Smart Line 160:

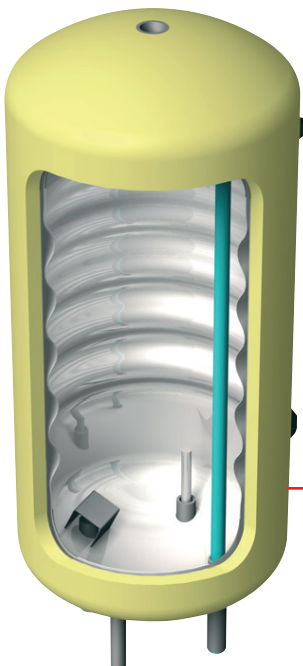
available as an option to the Prestige Solo



An excellent hot water partner to the Prestige Solo:

- The Smart Line range of tanks are completely compatible with the Prestige boilers and constructed according to the same in-house design values of uncompromising quality
 - Tank-in-tank construction with an inner stainless steel tank, which is free to expand and contract
 - Very large heat exchange surface between the inner and outer tank: produces hot water faster and more efficiently than rival designs
 - Exceptionally long service life and reliability
 - Calcium deposits are precipitated and washed away in the normal cycle of domestic hot water usage
 - Higher uniform temperatures eliminate any risk of bacterial build-up
-

Integrated tank included with the Prestige Excellence



The 62 litre domestic hot water cylinder, integrated into the Excellence boiler is of the same uncompromising design and construction as our stand-alone Smart Range of tanks. Its compact volume is ideal for installation where space is at a premium, but hot water performance cannot be sacrificed.



Prestige Excellence

Hot water is an essential part of modern life: a soak in a large bath or the drenching of a powerful shower is a daily luxury that many rely on. Flexibility and responsiveness to sudden huge demands for hot water is no longer just the domain of industry and commerce: home owners expect a lot of hot water, very quickly.

The Prestige Excellence boiler provides high levels of hot water and heating comfort from a compact installation. With all the advantages of the Prestige Solo, plus the

integration of an ACV tank-in-tank hot water cylinder the Excellence is a high quality combination boiler that can be relied on to provide many years of service.

Incorporated into the Excellence is ACV's unique Tank-in-Tank cylinder: a stainless steel inner tank surrounded by hot water in an outer tank. With a very large heat exchange surface and the ability to store water at a higher temperature than inferior designs, the Excellence is a prodigious hot water generator able to cope with high peak demands.

Full range of flue gas connections: a solution is available for every type of installation, whether new-build or renovation

Secure and versatile wall mounting

Measuring point

Excellent hot water performance from integrated stainless steel tank-in-tank

Boiler conceived for simplified maintenance: with the possibility to access from the side, or even fitted for front-only access

New hydro-block with stepper motor for automatically improved start-up procedure.

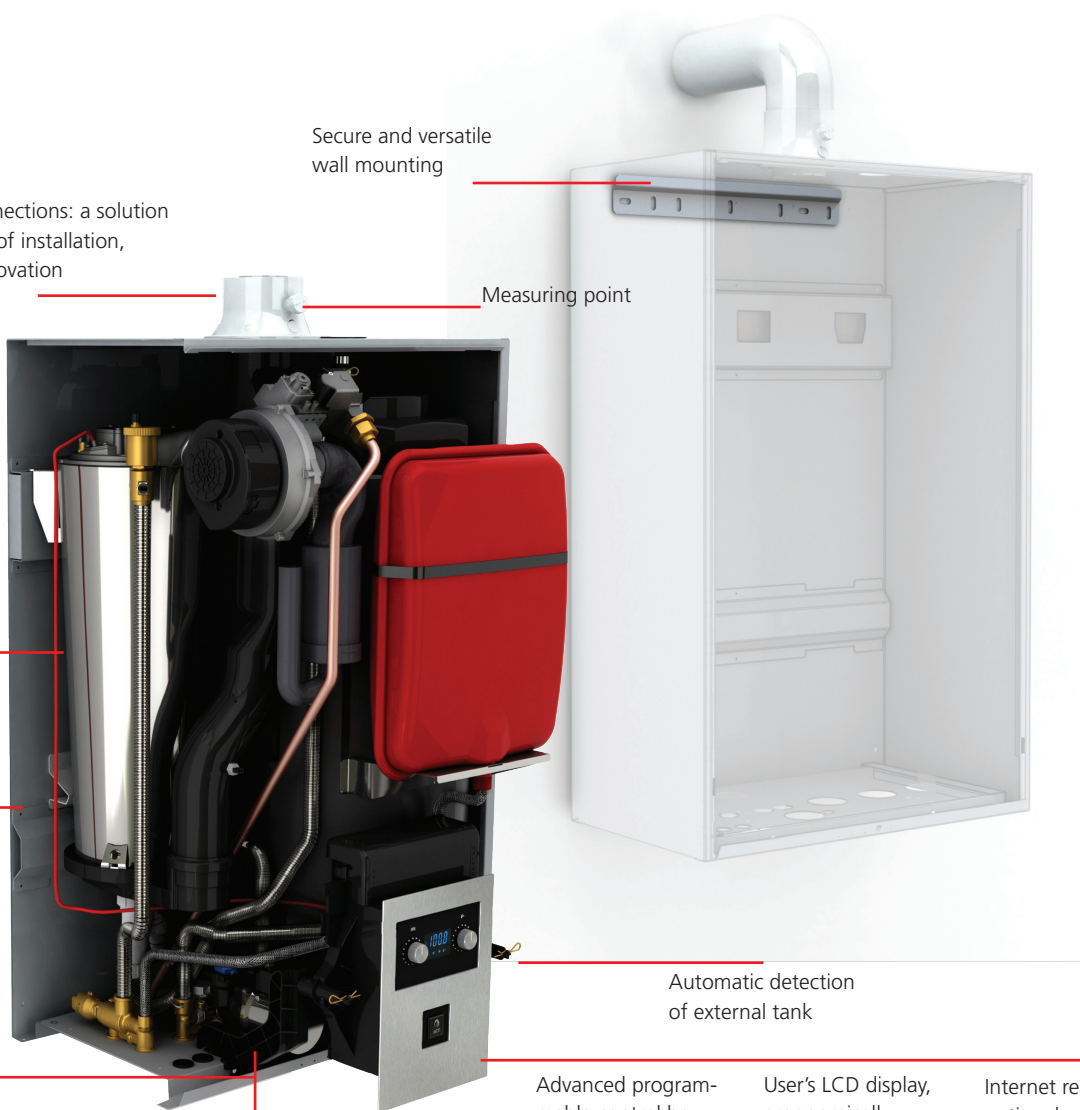
Speed controlled stepper valve, permits parallel, priority and combined functioning

Advanced programmable control box, demounts simply for improved access

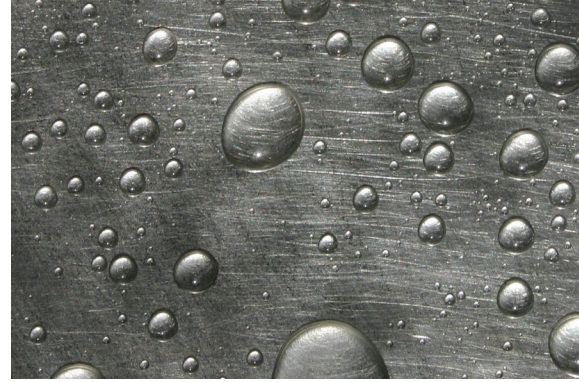
User's LCD display, ergonomically designed for easy adjustment of main parameters

Internet ready, with optional controls and gateway

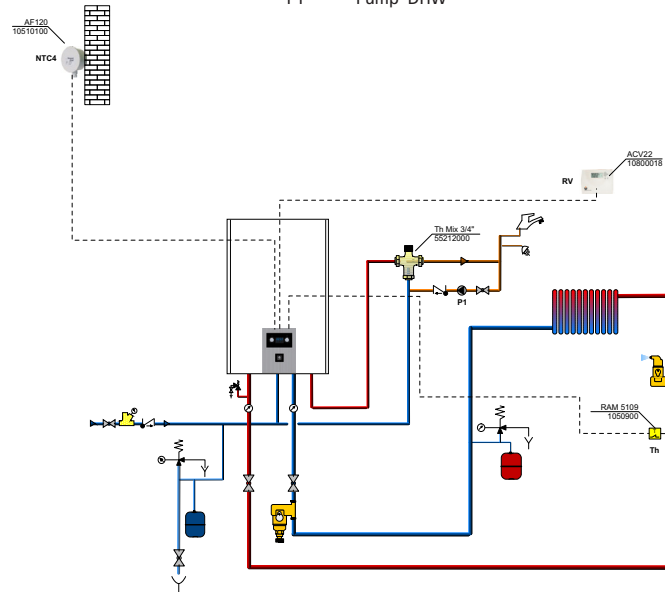
Automatic detection of external tank



Applications



APPLICATION 1



Legend

NTC4	Outdoor sensor
RV	Room unit
TH	Security sensor obliged with Floor heating
P1	Pump DHW

Description:

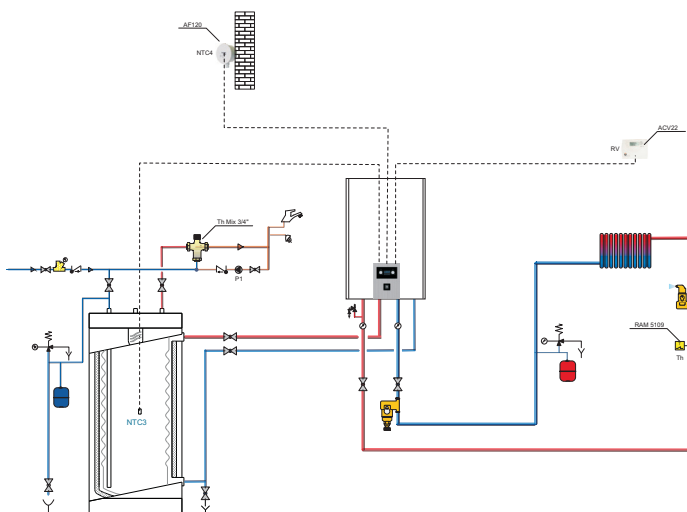
- Heating and hot water comfort provided by the Prestige Excellence boiler
- The heating system (radiators or under-floor heating) is controlled by an ambient on/off thermostat
- The internal ESYS control system automatically detects the optional external probe. In this configuration the boiler constantly adapts its functioning to the external temperature.
- The circulator pump is initiated as soon as there is a demand for heating generated by the ambient thermostat

User Benefits:

- Comfort
- Maximum efficiency
- Simplicity of the system

* Expansion safety-vessel necessary for under-floor heating circuit

APPLICATION 2



Legend

NTC4	Outdoor sensor
RV	Room unit
TH	Security sensor obliged with Floor heating
P1	Pump DHW

Description:

- Prestige Solo plus SmartLine tank for maximum hot water comfort
- A modulating Room Unit controls the heating (radiators or under-floor*) as well as the hot water. It is possible to choose from among various heating functions, allowing up to 3 weekly programmes for heating but also the hot water circuit
- The internal ESYS control system automatically detects the external probe. In this configuration the boiler constantly adapts its functioning to the external temperature
- The hot water kit is integrated into the Prestige Solo boiler

User Benefits:

- Maximum comfort
- Maximum efficiency
- Simplified setting of heating and hot water
- Information on the system status are indicated on the LCD
- 3 weekly programme cycles

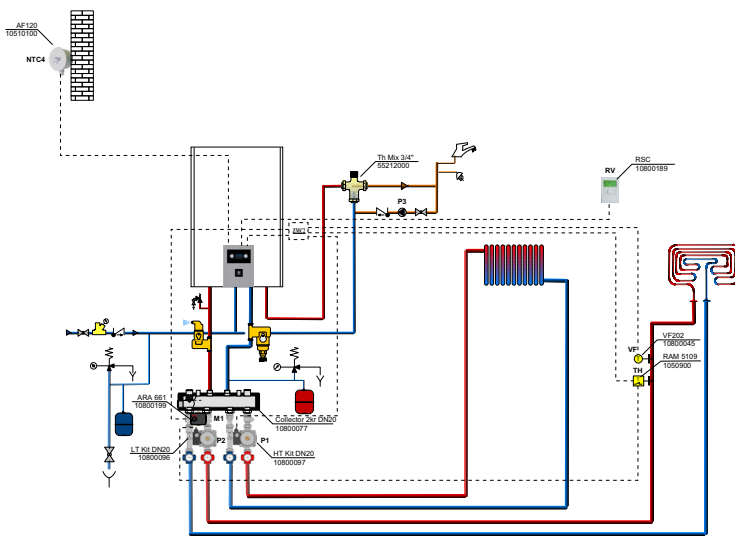
* Expansion safety-vessel necessary for under-floor heating circuit

Applications

APPLICATION 3

Legend

NTC4	Outdoor sensor
RV	Room unit
VF	Flow sensor
	Floor heating
TH	Security sensor
	obliged with Floor heating
P1	Pump Radiators
P2	Pump Floor heatingg
P2	Pump DHW
M1	Mixing tab
	Floor heating



Description:

- This configuration offers a simple means of controlling two heating circuits (radiators or under-floor heating) with a Room Unit which remotely controls both circuits
- These circuits can be regulated differently as a function of climatic conditions
- This configuration is ideal for a basic under-floor heating system, complemented by radiators
- In this case it is possible to choose from among various heating functions, allowing up to 3 weekly programmes for heating but also the hot water circuit
- The internal ESYS control system automatically detects the optional external probe. In this configuration the boiler constantly adapts its functioning to the external temperature
- For the Prestige Solo, the hot water kit is integrated in the boiler

User Benefits:

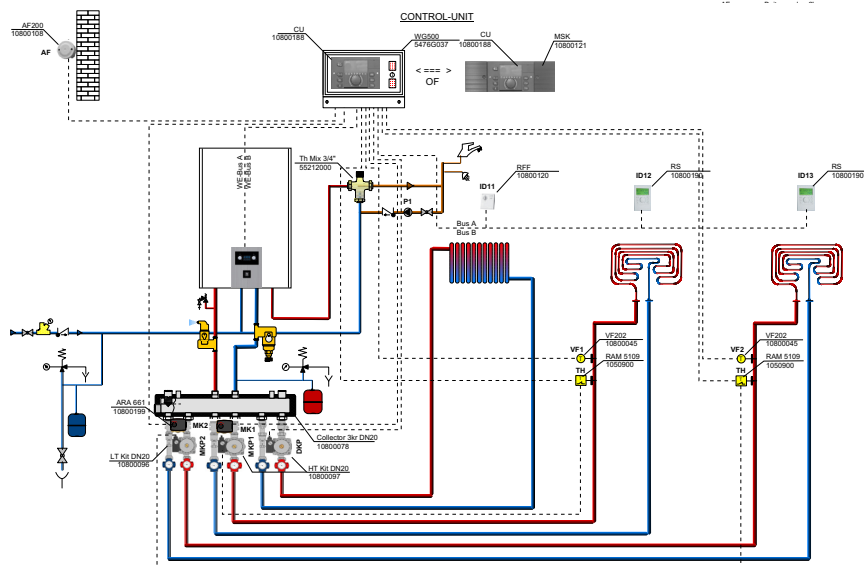
- Maximum comfort
- Maximum efficiency
- Simple and economical start up of second circuit
- Delivered with hydraulic kit
- Information on the system status are indicated on the LCD

* Expansion safety-vessel necessary for under-floor heating circuit

APPLICATION 4

Legend

AF	Outdoor sensor
ID ..	Zone Unit
VF1	Flow sensor
	Floor heating
TH	Security aquastatic
	Floor heating
P1	Pump DHW
DKP1	Pump 1 Radiators
MKP1	Pump 1 Floor heating
MKP2	Pump 2 Floor heating
MK1	Mixing tab 1
	Floor heating
MK2	Mixing tab 2
	Floor heating



Description:

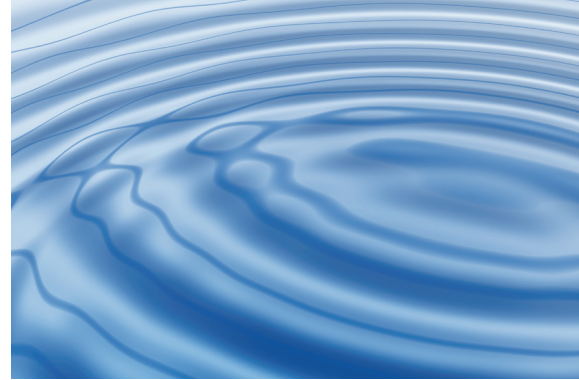
- The Control Unit regulator can control up to 3 heating circuits of which at least one a direct circuit (for example 2 separate underfloor circuits and 1 radiator circuit)
- The Control Unit regulator can also separately control 1 hot water circuit
- The heating circuits are regulated as a function of external conditions
- In addition an ambient probe (RFF) or a Zone Unit (RS) can be defined for each of the circuits
- For renovations or in certain specific cases it is possible to use simple thermostats (ACV22)
- For more extensive applications it is possible to combine several Control Unit regulators (contact us for details)
- For the Prestige Solo, the hot water kit is integrated in the boiler

User Benefits:

- Maximum comfort
- Maximum efficiency
- Simple and economical start up of second circuit
- Delivered with hydraulic kit
- State of the art regulation
- Large choice of functionality
- Programmable according to individual needs

* Expansion safety-vessel necessary for under-floor heating circuit

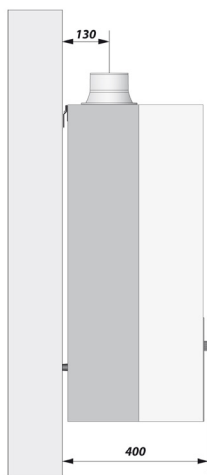
Technical data



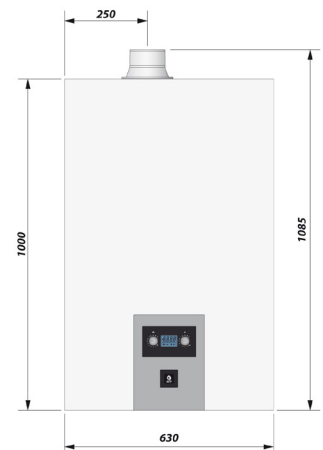
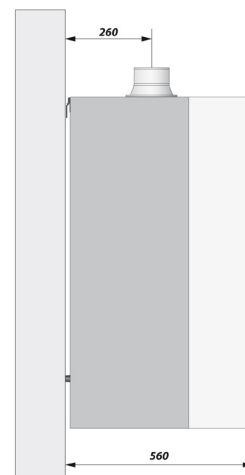
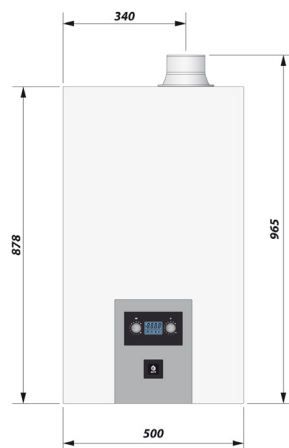
At the core of the Prestige® is our proven stainless steel heat exchanger, developed and improved after intensive research and field experience. ACV is able to apply know-how from the use of stainless steel for heating and hot-water production applications gained from over 85 years of manufacturing experience.

		Solo		Excellence			
		18	32	18	32		
Input (Max)	kW	18	31	18	31		
Output Max (80-60°C)	kW	17,55	29,9	17,55	29,9		
Output min (80-60°C)	kW	3	4,5	3	4,5		
Efficiency at 100% (80/60°C)	%	97,5	97,1	97,5	97,1		
Efficiency at 100% (50/30°C)	%	106	105	106	105		
Efficiency at 30% (Tr = 30°C) [EN677]	%	109	109	109	109		
NOx emissions [Potential max. / min.] at O2=0%	mg/kWh	<40	<40	<40	<40		
Domestic hot water (Excellence models)							
DHW Capacity	L	-	-	62	62		
Peak flow @ 40°C	L/10'	-	-	175	224		
Peak flow @ 40°C	L/60'	-	-	583	835		
Continuous flow @ 40°C	L/h	-	-	490	745		
Peak flow @ 60°C	L/10'	-	-	102	103		
Peak flow @ 60°C	L/60'	-	-	348	353		
Continuous flow @ 60°C	L/h	-	-	295	320		
Dimensions with chimney adapter		h	mm	965	965	1087	1087
		w	mm	500	500	630	630
		d	mm	400	400	515	515
Dimensions without chimney adapter		h	mm	875	875	1000	1000
		w	mm	500	500	630	630
		d	mm	400	400	515	515
Drained weight			kg	46	46	78	78
Max. length of concentric flue pipe Ø 60 / 100 mm			m	25	12	25	12
Concentric chimney connection (other possibilities available)			mm	60/100	60/100	60/100	60/100

Prestige Solo



Prestige Excellence














Selection guide

ACV boilers and hot water tanks work together perfectly. By matching a Prestige boiler with a SmartLine tank, or by choosing an Excellence model with a built-in hot water tank, you have a system with stainless steel components at its core, which will provide you with heating and hot water comfort for many years of operation.

Do you want to know more about which Prestige boiler to choose and how to configure a system that will meet your heating and hot water needs? We can help you answer this question and would be happy to review with you the different options. Give your ACV approved installer a call, or contact us directly for guidance.

The guideline below gives a first indication of how to choose the right combination of Prestige boiler and tank.

	Hot water tank	Heating	Hot water	
			Approximate guide to how many baths or showers can be taken in half an hour.	
				
Prestige 18 Solo	-		-	-
Prestige 18 Solo	SL130		2	3
Prestige 32 Solo	-		-	-
Prestige 32 Solo	SL160		2	4
Prestige 32 Solo	SL 210		3	5
Prestige 18 Excellence	(Integrated tank)		1	1
Prestige 32 Excellence	(Integrated tank)		1	2

With the future in mind



excellence in hot water

ACV Belgium
Kerkplein 39
B-1601 Ruisbroek
tel. +32 2 334 82 40
fax +32 2 378 82 59
belgium.info@acv.com
www.acv.com

